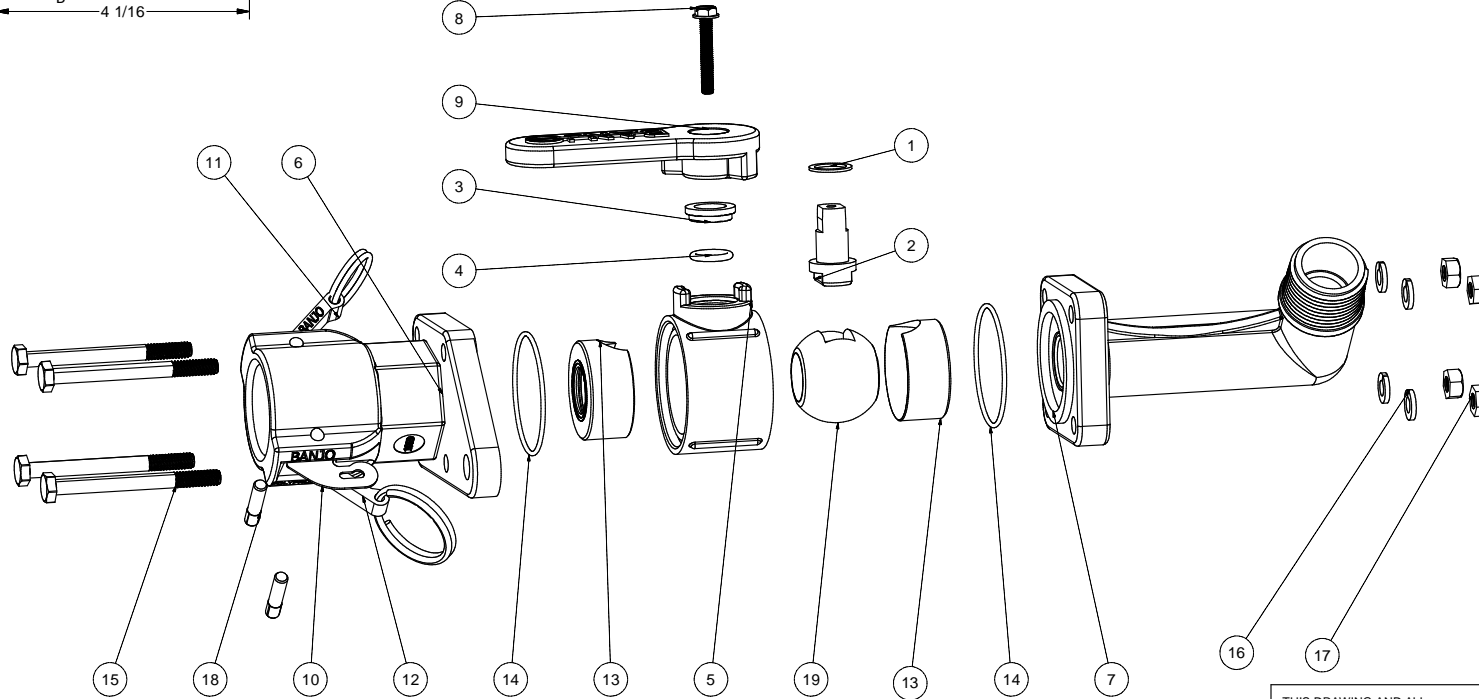


			Parts List	
ITEM	QTY	PART NUMBER	DESCRIPTION	
1	1	V07060	THRUST BEARING	
2	1	V07151A	STEM	
3	1	V07159	TEFLON BUSHING	
4	1	V07163	2-112 O-RING FKM	
5	1	V07254	VALVE BODY	
6	1	V07256B1	SPINWELDED 1" CPLG ENDPLATE	
7	1	V07256FA	1" NPT X 90° END PLATE	
8	1	V10020A	10-32 X 1 1/4" SMS	
9	1	V10153A	HANDLE	
10	1	N4-8155-00	CUSTOMER SUPPLIED LOCKING LEVER	
11	1	100K	1" CAM ARM W/ RING	
12	1	100KC	MODIFIED 1" CAM ARM	
13	2	V07258F	FILLED VALVE SEAT	
14	2	V07264	#032 O-RING, FKM	
15	4	V07016	1/4-20 X 2 3/4" HHCS	
16	4	V07018	1/4" LOCKWASHER	
17	4	V07019	1/4-20 HEX NUT	
18	2	100P	PIN	
19	1	V07155	VALVE BALL	



BANJO CORPORATION
 150 BANJO DRIVE, CRAWFORDSVILLE, IN 47933
 WEB SITE: WWW.BANJOCORP.COM
 E-MAIL: BANJOSALES@IDEXCORP.COM

THIS DRAWING AND ALL INFORMATION CONTAINED THEREON ARE THE EXCLUSIVE PROPERTY OF BANJO CORPORATION.
 UNLESS SPECIFICALLY NOTED, THIS DRAWING AND ITEMS SHOWN ON THIS DRAWING ARE SUBJECT TO CHANGE AT ANY TIME.

DESCRIPTION
1" FILLED VALVE W/ 90° INLET
 PART NUMBER
V103FV