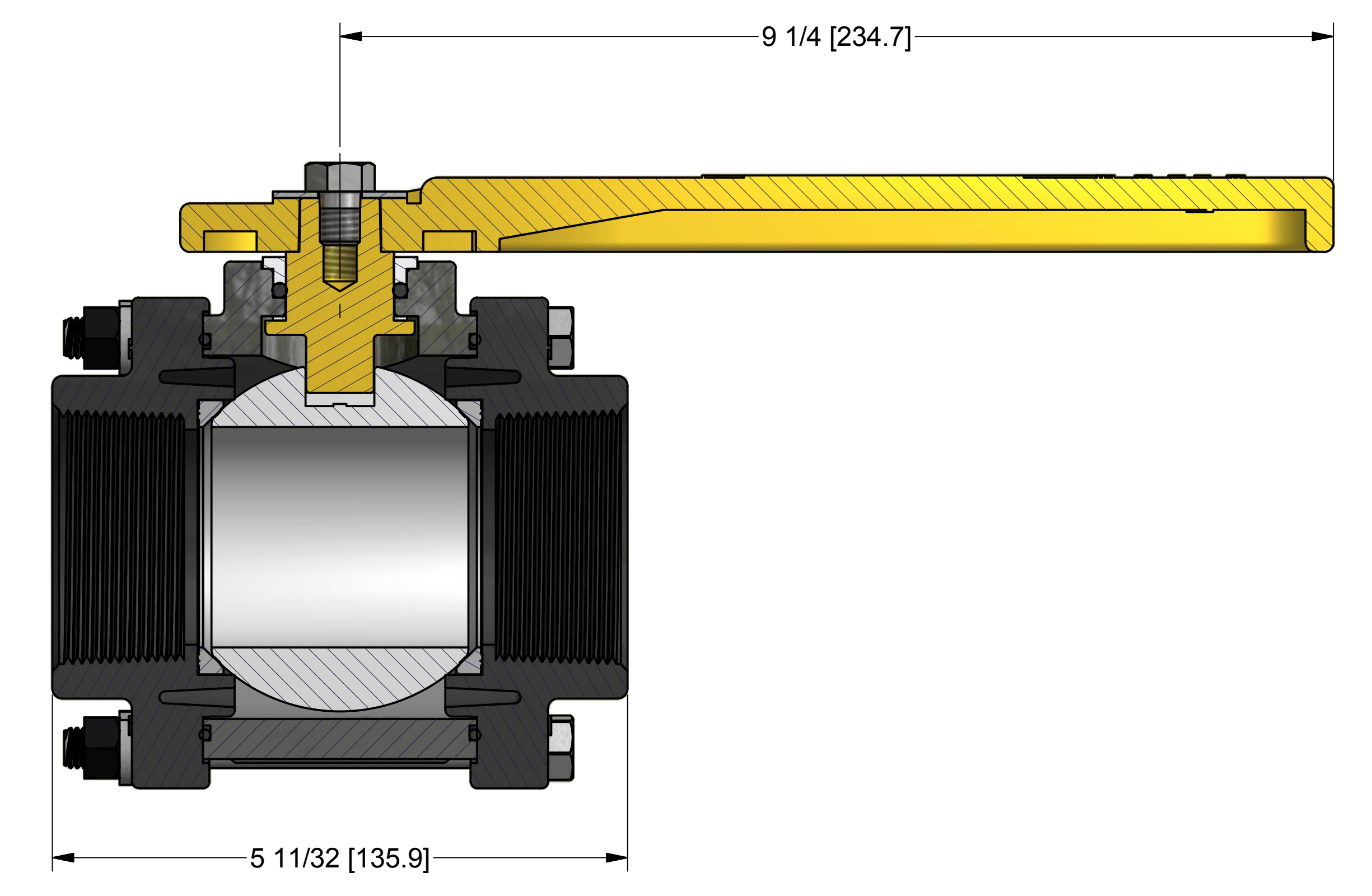
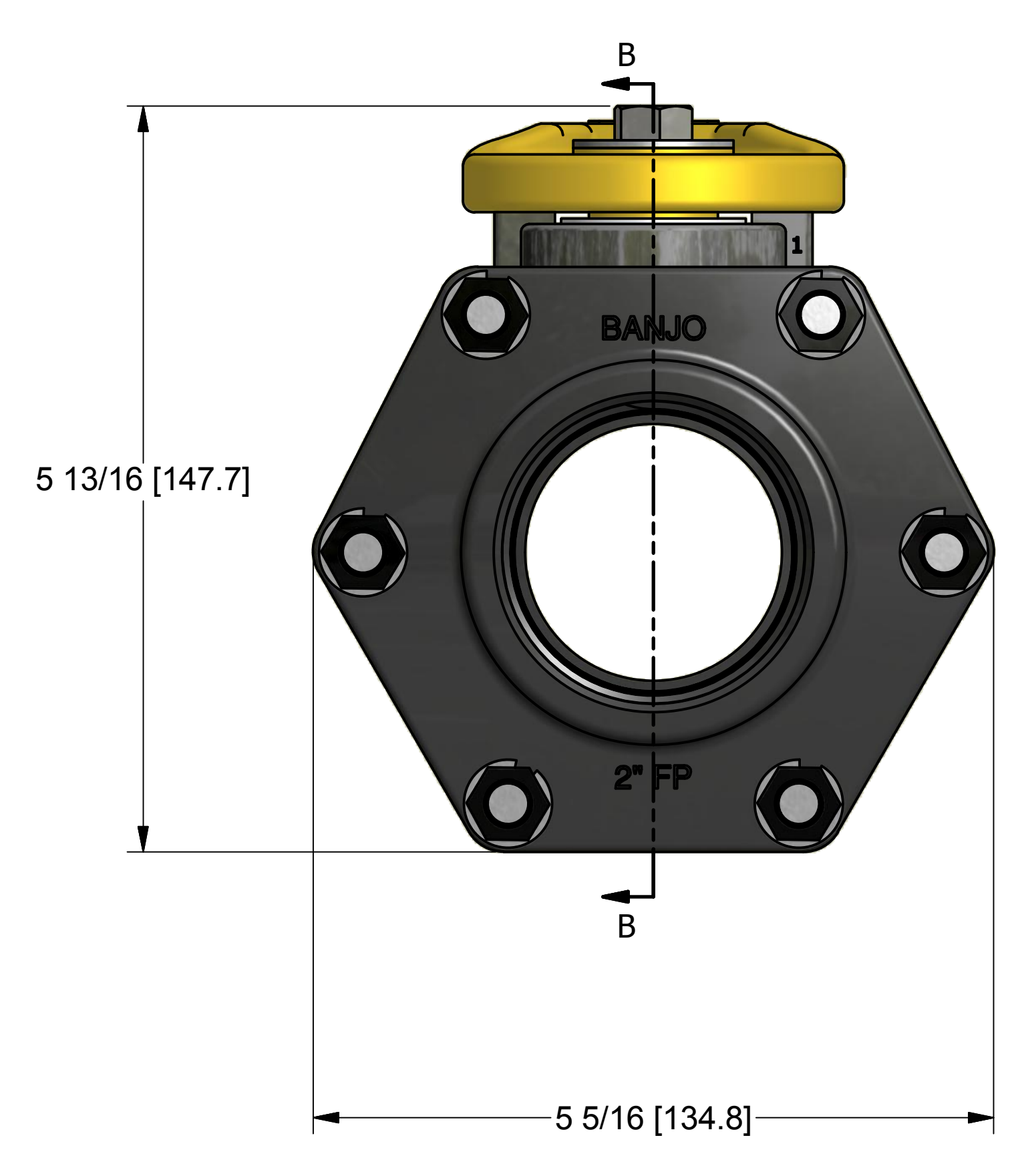
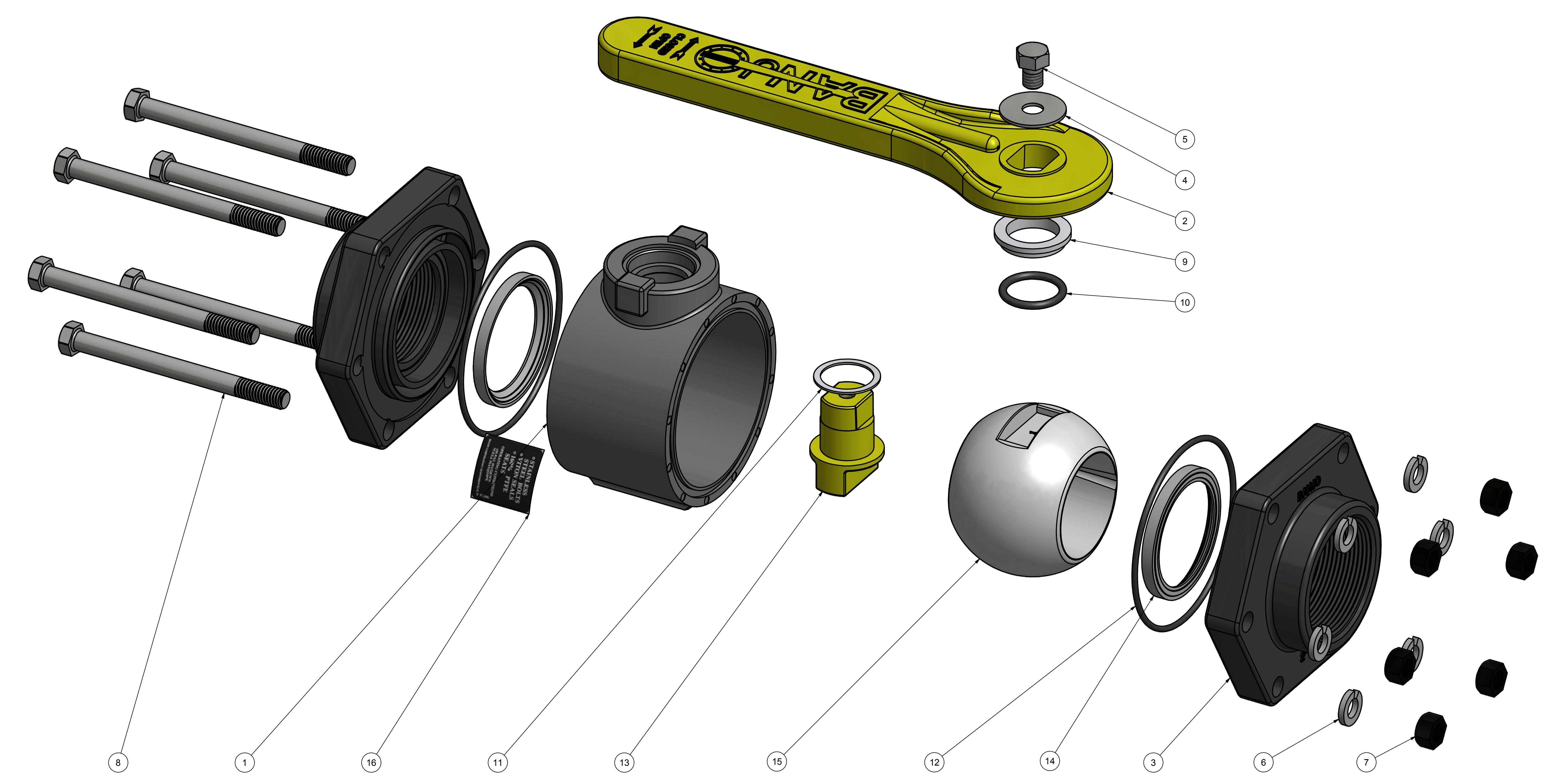


Parts List			
ITEM	QTY	PART NUMBER	DESCRIPTION
1	1	V25254	2" FP VALVE BODY
2	1	V25153	2" FP Handle
3	2	V25256	2" Full Port Endplate
4	1	V25121	3/8" Fender Washer
5	1	V25020	3/8" Handle Bolt
6	6	V20018	3/8" LOCKWASHER
7	6	V20019	3/8" HEX NUT
8	6	V25017	3/8-16 X 4 1/2" HHCS
9	1	V25160	Stem Bushing
10	1	V25163	#214 FKM O'RING
11	1	V25060	VALVE STEM THRUST BEARING
12	2	V25264	CUSTOM BODY O-RING
13	1	V25151B	2" FP Stem
14	2	V25258A	3" FP Ball Seat
15	1	V25255A	2" FP Valve Ball
16	1	VL1001	150 PSI Pressure Label Viton Seals



SECTION B-B
SCALE 1 : 1



THIS DRAWING AND ALL INFORMATION CONTAINED THEREON ARE THE EXCLUSIVE PROPERTY OF BANJO CORPORATION.
UNLESS SPECIFICALLY NOTED, THIS DRAWING AND ITEMS SHOWN ON THIS DRAWING ARE SUBJECT TO CHANGE AT ANY TIME.

BANJO CORPORATION
 150 BANJO DRIVE, CRAWFORDSVILLE, IN 47933
 WEB SITE: WWW.BANJOCORP.COM
 E-MAIL: SALES1@BANJOCORP.COM

DESCRIPTION
2" Full Port Ball Valve

PART NUMBER
V200FP