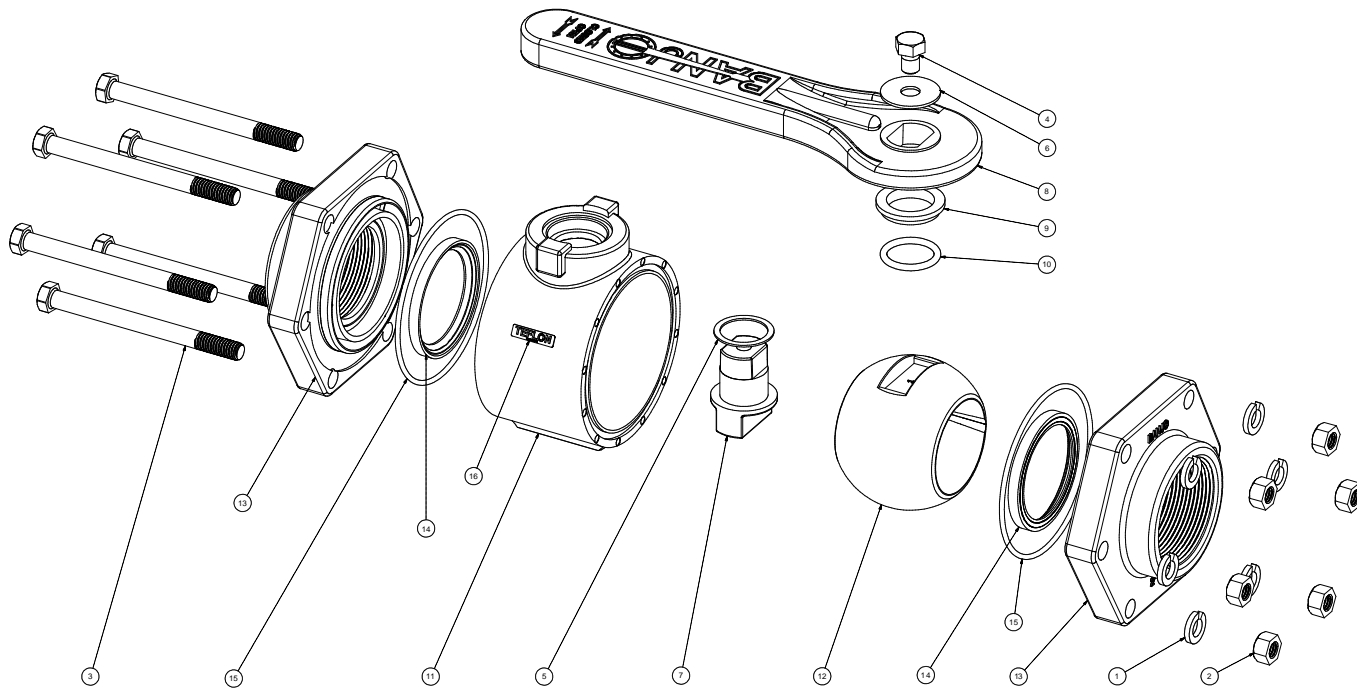


SECTION B-B  
SCALE 1 : 1

		Parts List	
ITEM	QTY	PART NUMBER	DESCRIPTION
1	6	V20018	3/8" LOCKWASHER
2	6	V20019	3/8" HEX NUT
3	6	V25017	3/8-16 X 4 1/2" HHCS
4	1	V25020	3/8" Handle Bolt
5	1	V25060	VALVE STEM THRUST BEARING
6	1	V25121	3/8" Fender Washer
7	1	V25151B	2" FP Stem
8	1	V25153	2" FP Handle
9	1	V25160	Stem Bushing
10	1	V25163T	#214 TFE O-RING
11	1	V25254	2" FP VALVE BODY
12	1	V25255A	2" FP Valve Ball
13	2	V25256	2" Full Port Endplate
14	2	V25258A	3" FP Ball Seat
15	2	V25264T	2" FP Valve Body O-ring PTFE
16	1	VL1003	Teflon Label



**BANJO CORPORATION**  
 150 BANJO DRIVE, CRAWFORDSVILLE, IN 47933  
 WEB SITE: WWW.BANJOCORP.COM  
 E-MAIL: SALES1@BANJOCORP.COM

THIS DRAWING AND ALL INFORMATION CONTAINED THEREON ARE THE EXCLUSIVE PROPERTY OF BANJO CORPORATION.

UNLESS SPECIFICALLY NOTED, THIS DRAWING AND ITEMS SHOWN ON THIS DRAWING ARE SUBJECT TO CHANGE AT ANY TIME.

DESCRIPTION:  
 2" Full Port Ball Valve TFE

PART NUMBER  
 V200FPT