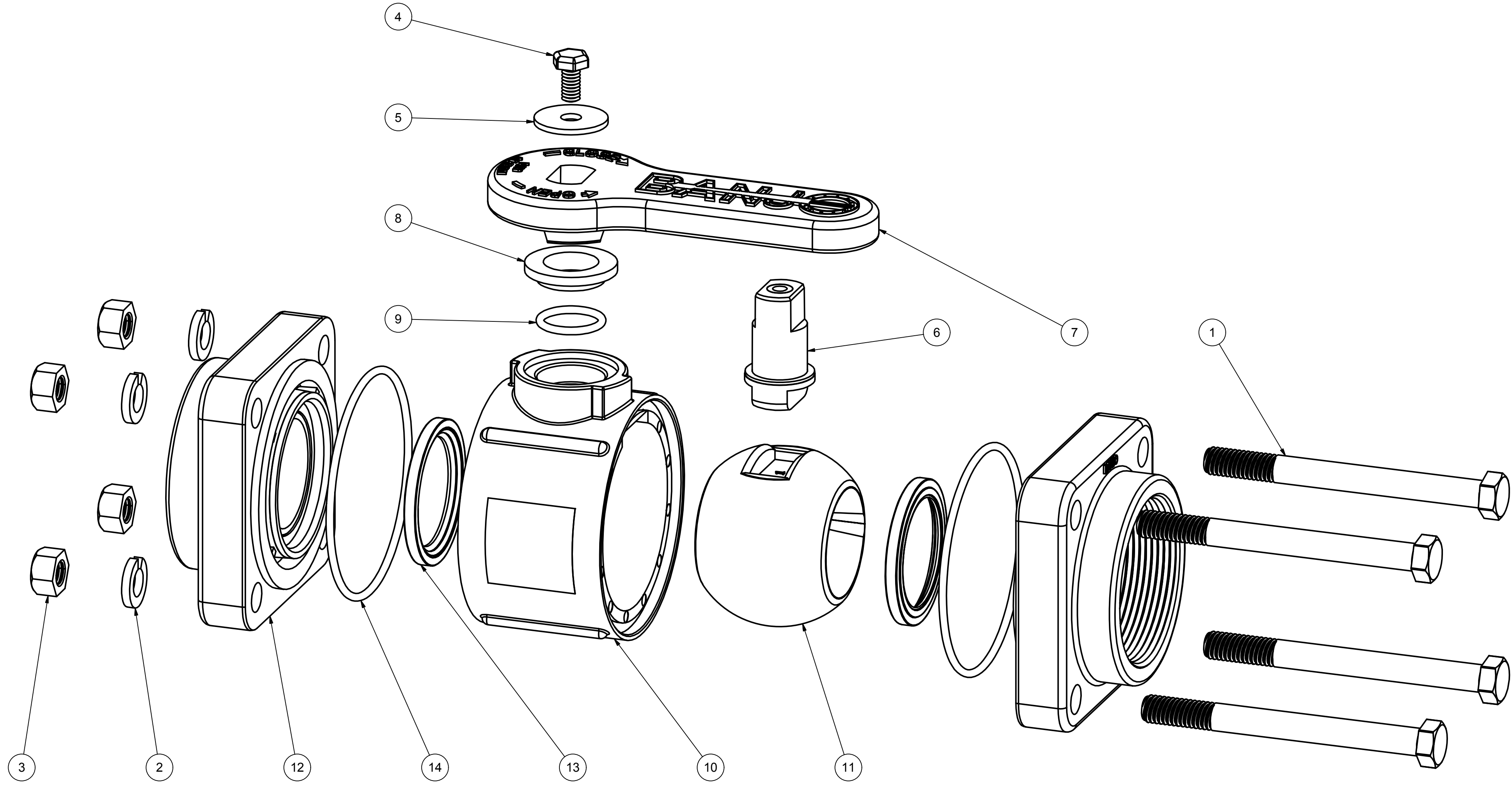


Parts List			
ITEM	QTY	PART NUMBER	DESCRIPTION
1	4	V20017	3/8-16 X 4" HHCS
2	4	V20018	3/8" LOCKWASHER
3	4	V20019	3/8" HEX NUT
4	1	V20020	2" handle Bolt
5	1	V20021	Handle Washer
6	1	V20151M	VALVE STEM W/ BEARING
7	1	V20153SH	HANDLE, SHORT
8	1	V20159	2" STEM BUSHING
9	1	V20163	#116 O'RING, FKM
10	1	V20254	2" VALVE BODY
11	1	V20255A	2" Valve Ball
12	2	V20256	2" NPT END PLATE
13	2	V20258A	2" Valve Seat
14	2	V20264	#151 O'RING, FKM



THIS DRAWING AND ALL INFORMATION CONTAINED THEREON ARE THE EXCLUSIVE PROPERTY OF BANJO CORPORATION.

UNLESS SPECIFICALLY NOTED, THIS DRAWING AND ITEMS SHOWN ON THIS DRAWING ARE SUBJECT TO CHANGE AT ANY TIME.

BANJO CORPORATION
 150 BANJO DRIVE, CRAWFORDSVILLE, IN 47933
 WEB SITE: WWW.BANJOCORP.COM
 E-MAIL: SALES1@BANJOCORP.COM

DESCRIPTION
2" Valve, Short Handle

PART NUMBER
V200SH