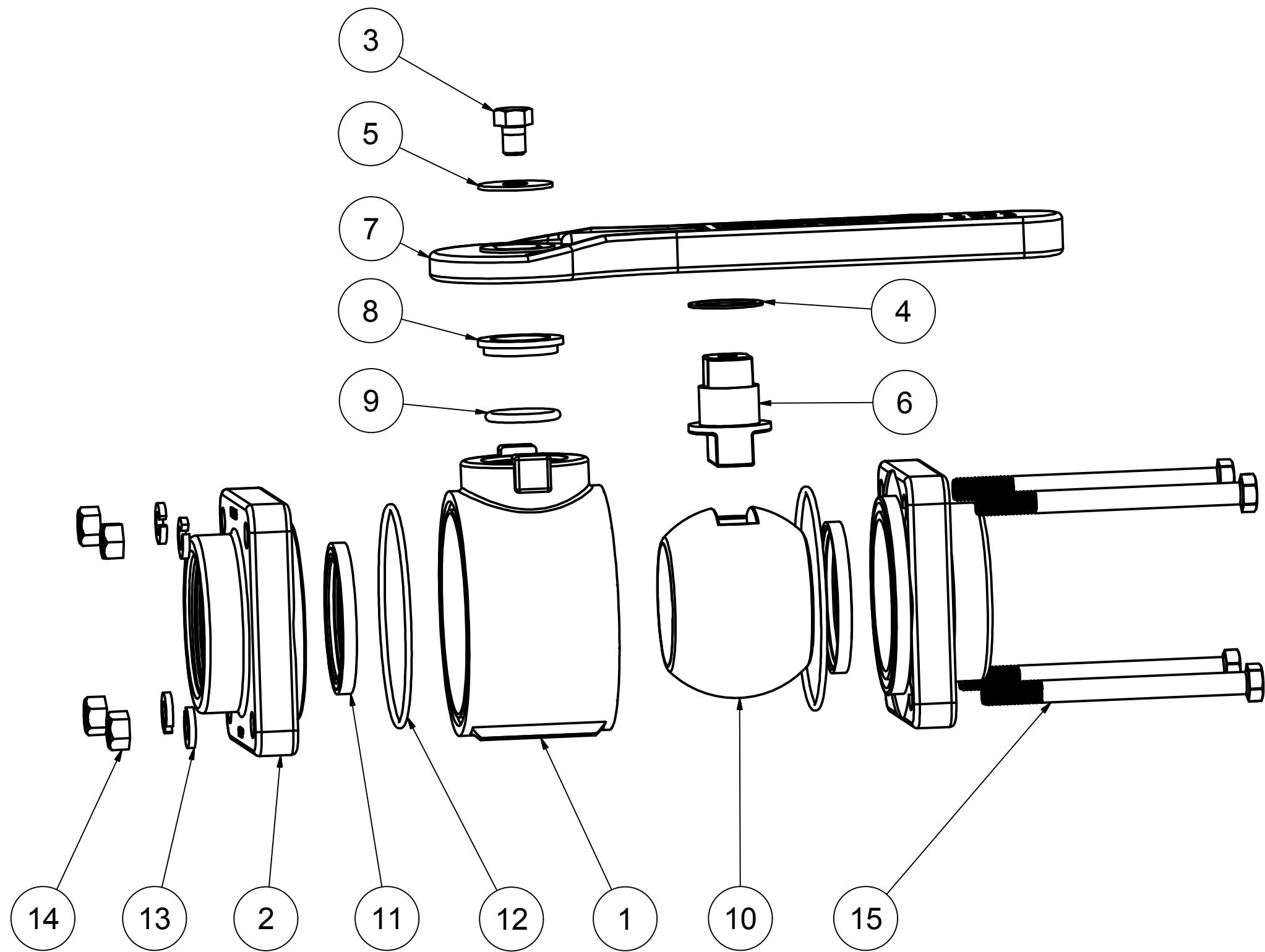


Parts List			
ITEM	QTY	PART NUMBER	DESCRIPTION
1	1	V25254	2" FP VALVE BODY
2	2	V25456	2" FP ENDPLATE
3	1	V25020	3/8" Handle Bolt
4	1	V25060	VALVE STEM THRUST BEARING
5	1	V25121	3/8" Fender Washer
6	1	V25151B	2" FP Stem
7	1	V25153	2" FP Handle
8	1	V25160	Stem Bushing
9	1	V25163	#214 FKM O'RING
10	1	V25255A	2" FP Valve Ball
11	2	V25258A	3" FP Ball Seat
12	2	V25264	CUSTOM BODY O-RING
13	4	V20018	3/8" LOCKWASHER
14	4	V20019	3/8" HEX NUT
15	4	V25017	3/8-16 X 4 1/2" HHCS



THIS DRAWING AND ALL INFORMATION CONTAINED THEREON ARE THE EXCLUSIVE PROPERTY OF BANJO CORPORATION.

UNLESS SPECIFICALLY NOTED, THIS DRAWING AND ITEMS SHOWN ON THIS DRAWING ARE SUBJECT TO CHANGE AT ANY TIME.

BANJO CORPORATION 150 BANJO DRIVE, CRAWFORDSVILLE, IN 47933 WEB SITE: WWW.BANJOCORP.COM E-MAIL: BANJOSALES@IDEXCORP.COM	
DESCRIPTION	2" FP BALL VALVE
PART NUMBER	V204FP