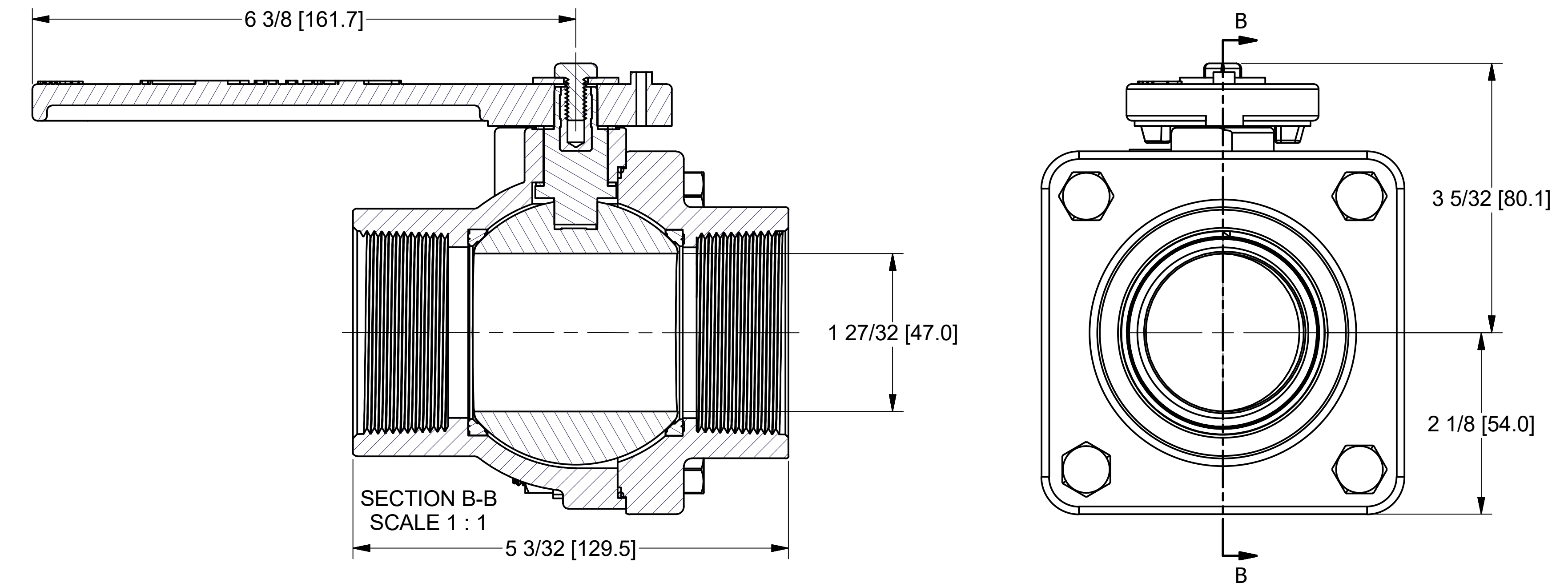
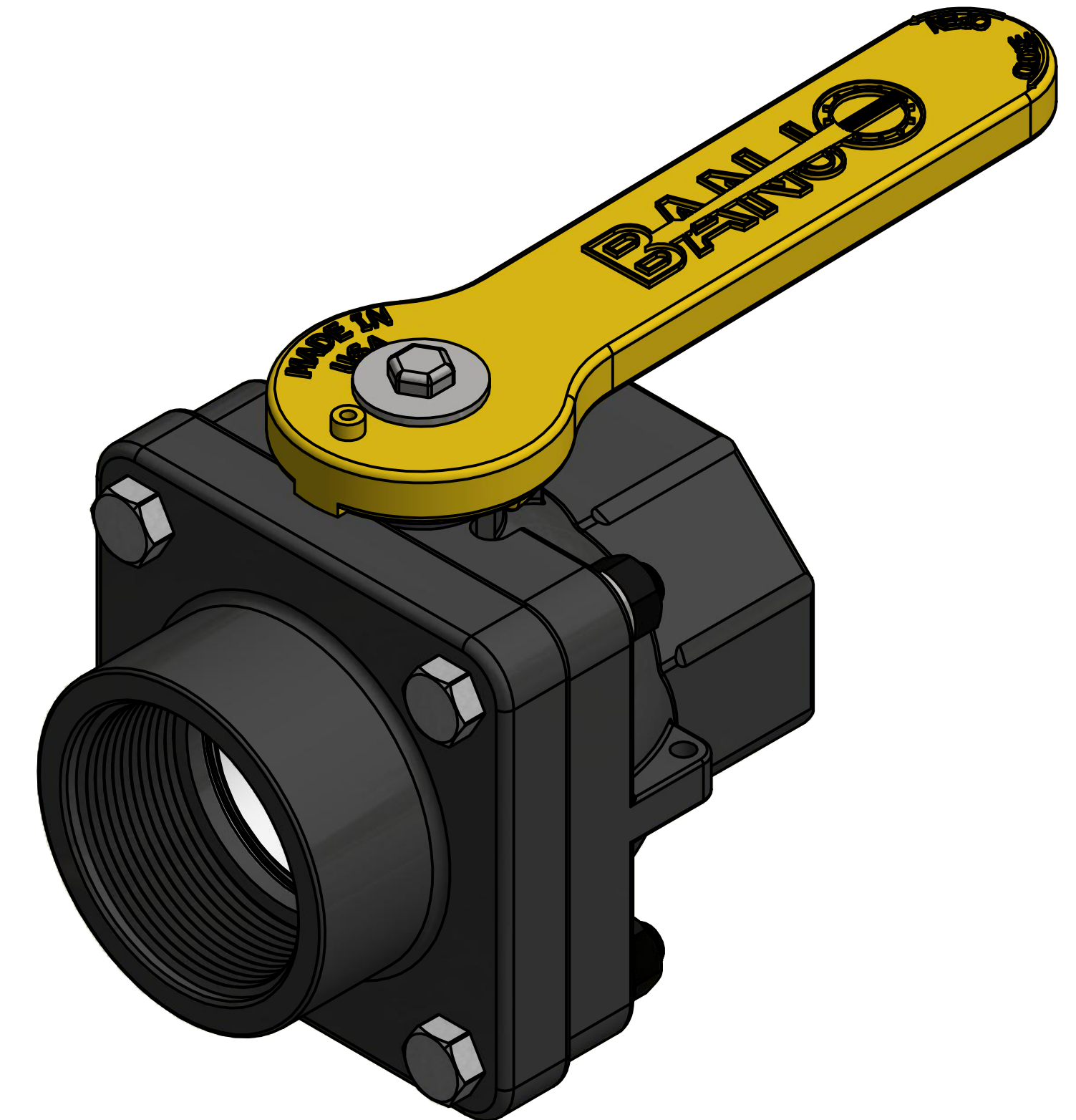
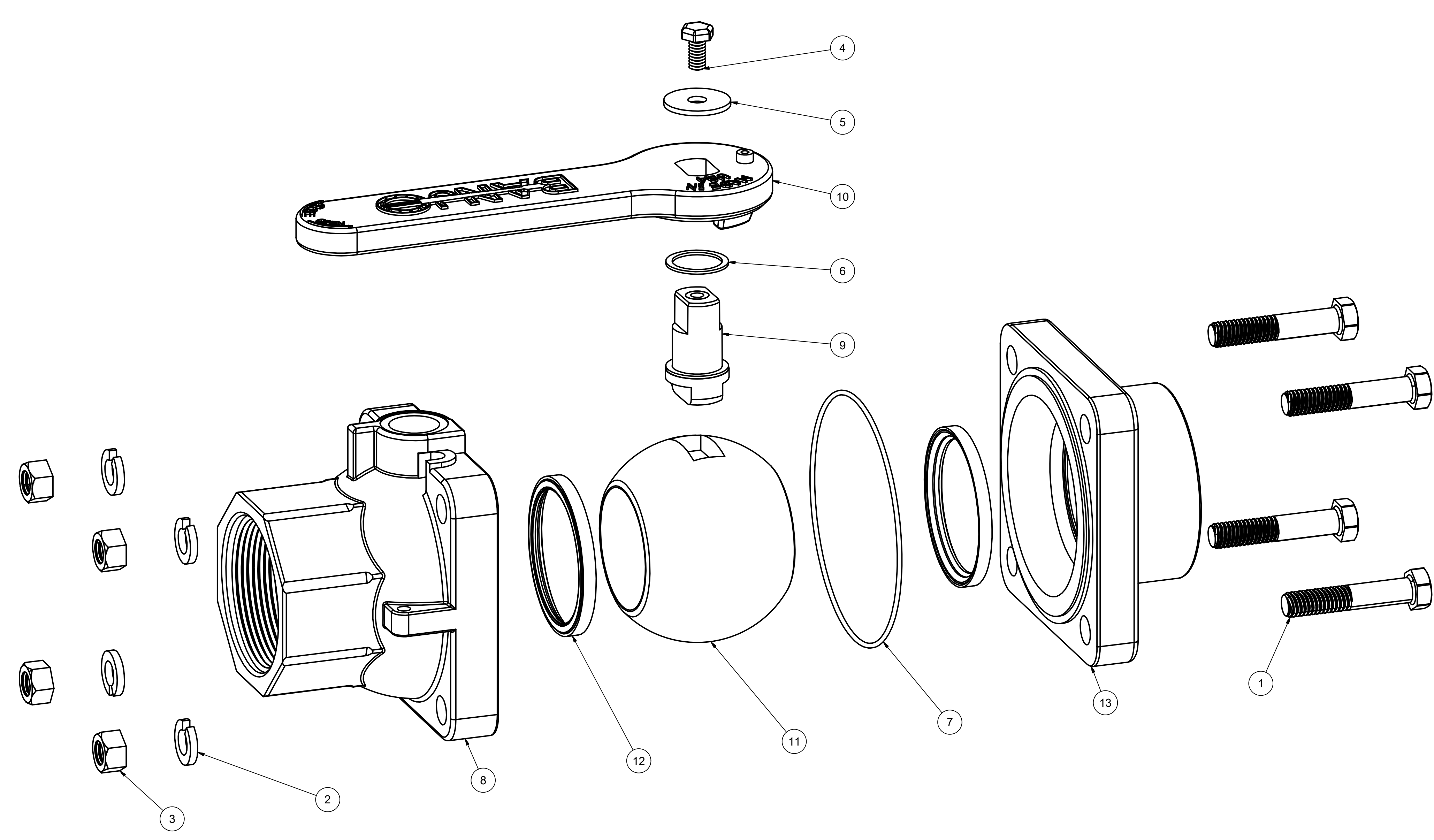


8 7 6 5 4 3 2 1

| Parts List | | | |
|------------|-----|-------------|------------------------------|
| ITEM | QTY | PART NUMBER | DESCRIPTION |
| 1 | 4 | V20010SS | 3/8-16 X 2" HHCS |
| 2 | 4 | V20018 | 3/8" LOCKWASHER |
| 3 | 4 | V20019 | 3/8" HEX NUT |
| 4 | 1 | V20020 | 2" handle Bolt |
| 5 | 1 | V20021 | Handle Washer |
| 6 | 1 | V20060 | VALVE STEM THRUST BEARING |
| 7 | 1 | V25214V | #44 O-RING, FKM |
| 8 | 1 | VFT25254 | 2" FP FEMALE NPT STUBBY BODY |
| 9 | 1 | VS20151 | VALVE STEM W/ BEARING |
| 10 | 1 | VS25153 | 2" FP STUBBY HANDLE |
| 11 | 1 | VS25255 | 2" Stubby Full Port Ball |
| 12 | 2 | VS25258AR1 | 3" FP Ball Seat |
| 13 | 1 | VS25356 | 2" FP STUBBY ENDPLATE |



THIS DRAWING AND ALL INFORMATION CONTAINED THEREON ARE THE EXCLUSIVE PROPERTY OF BANJO CORPORATION.

UNLESS SPECIFICALLY NOTED, THIS DRAWING AND ITEMS SHOWN ON THIS DRAWING ARE SUBJECT TO CHANGE AT ANY TIME.

| | |
|---|------------------------------|
| BANJO CORPORATION 150 BANJO DRIVE, CRAWFORDSVILLE, IN 47933 WEB SITE: WWW.BANJO.CORP.COM E-MAIL: BANJOSALES@IDEXCORP.COM | |
| DESCRIPTION | 2" FP FPT x FPT Stubby Valve |
| PART NUMBER | VS204FP |

8 7 6 5 4 3 2 1