

4

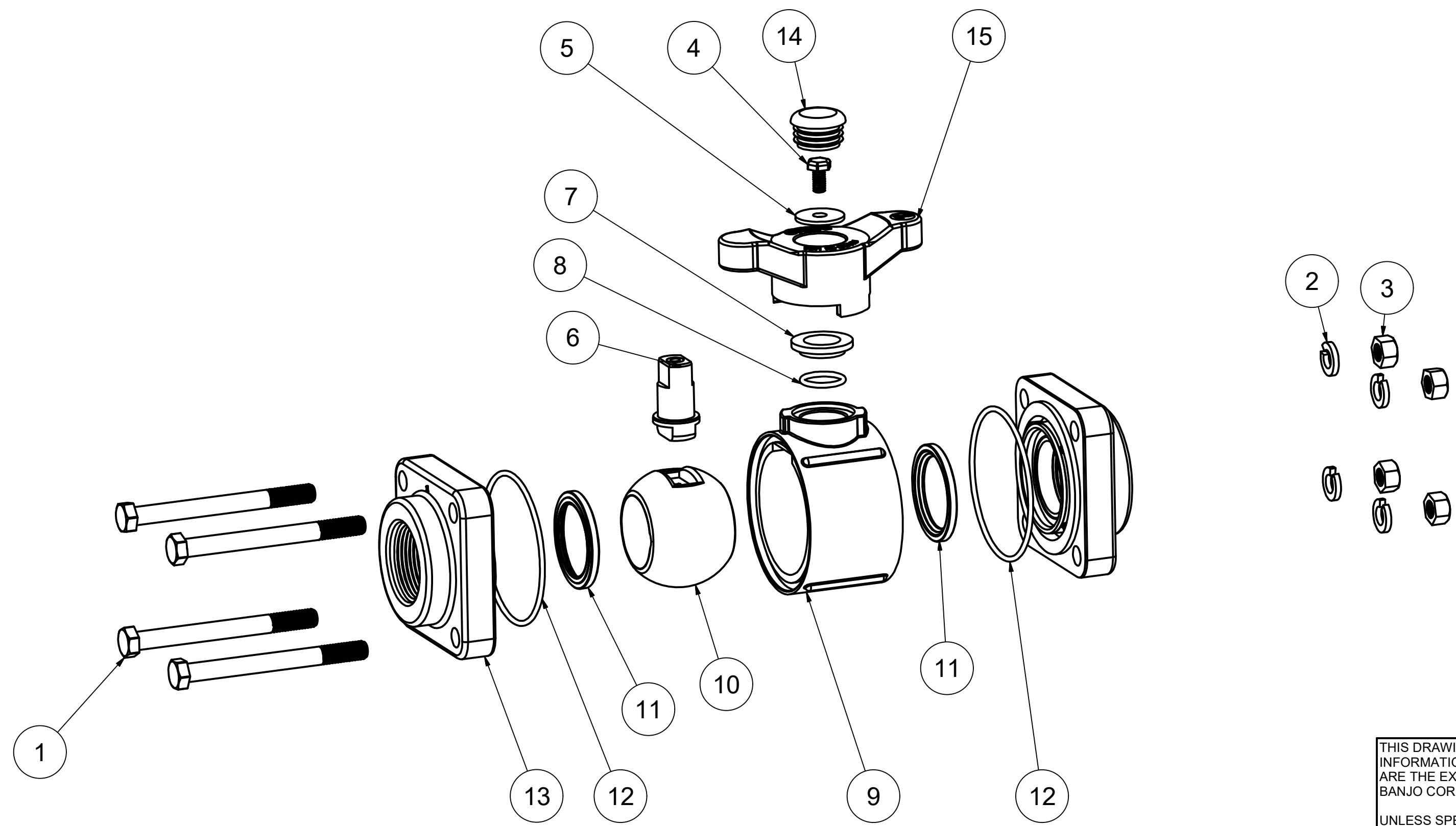
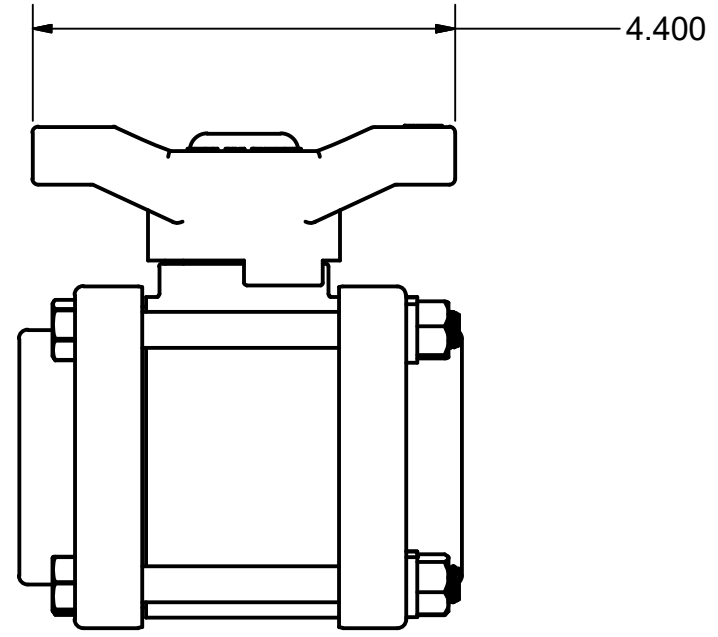
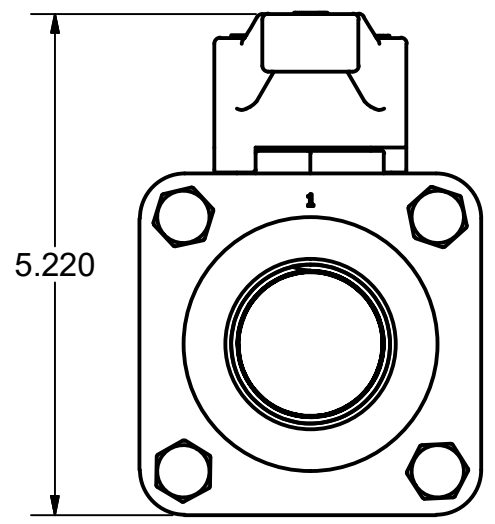
3

2

1

Parts List

ITEM	QTY	PART NUMBER	DESCRIPTION
1	4	V20017	3/8-16 X 4" HHCS
2	4	V20018	3/8" LOCKWASHER
3	4	V20019	3/8" HEX NUT
4	1	V20020	2" handle Bolt
5	1	V20021	Handle Washer
6	1	V20151M	VALVE STEM W/ BEARING
7	1	V20159	2" STEM BUSHING
8	1	V20163	#116 O'RING, FKM
9	1	V20254	2" VALVE BODY
10	1	V20255A	2" Valve Ball
11	2	V20258A	2" Valve Seat
12	2	V20264	#151 O'RING, FKM
13	2	V20267	1 1/4" NPT END PLATE
14	1	V20353C	1 1/8" CAPLUG
15	1	V20353T	2" T-Handle



THIS DRAWING AND ALL INFORMATION CONTAINED THEREON ARE THE EXCLUSIVE PROPERTY OF BANJO CORPORATION.

UNLESS SPECIFICALLY NOTED, THIS DRAWING AND ITEMS SHOWN ON THIS DRAWING ARE SUBJECT TO CHANGE AT ANY TIME.

BANJO CORPORATION

150 BANJO DRIVE, CRAWFORDSVILLE, IN 47933
 WEB SITE: WWW.BANJOCORP.COM
 E-MAIL: BANJOSALES@IDEXCORP.COM

DESCRIPTION
 1-1/4" POLY VALVE T HANDLE

PART NUMBER
 VT125FP

4

3

2

1