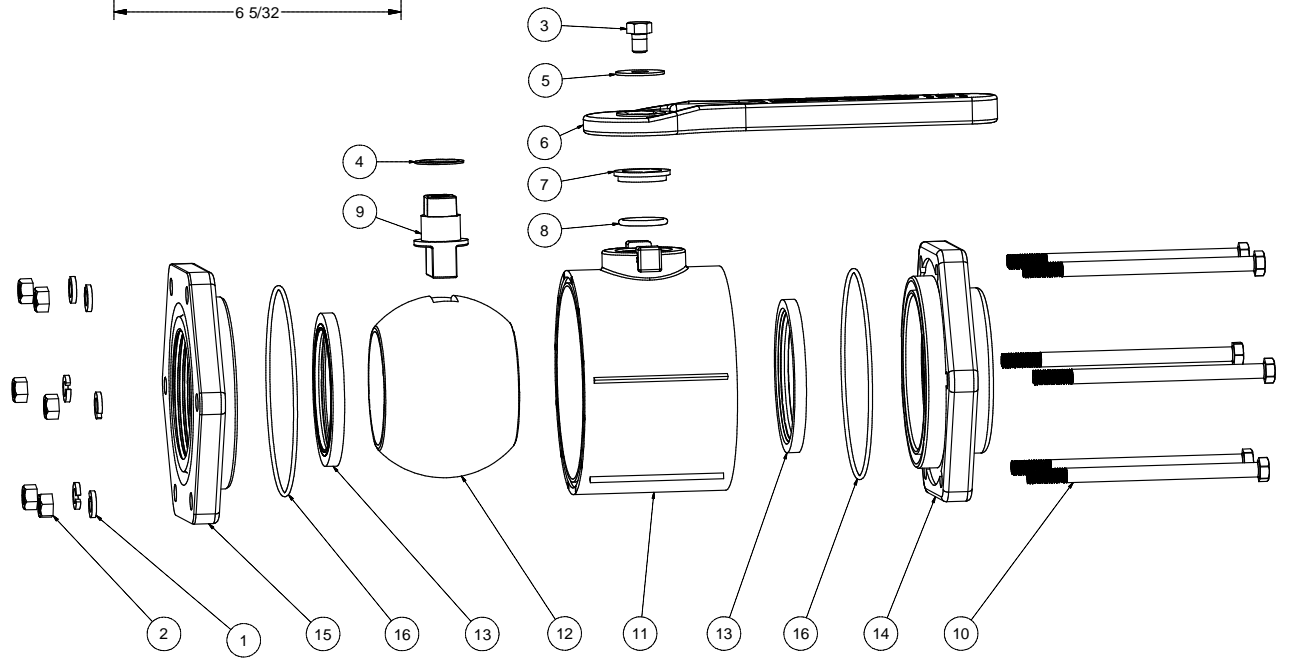
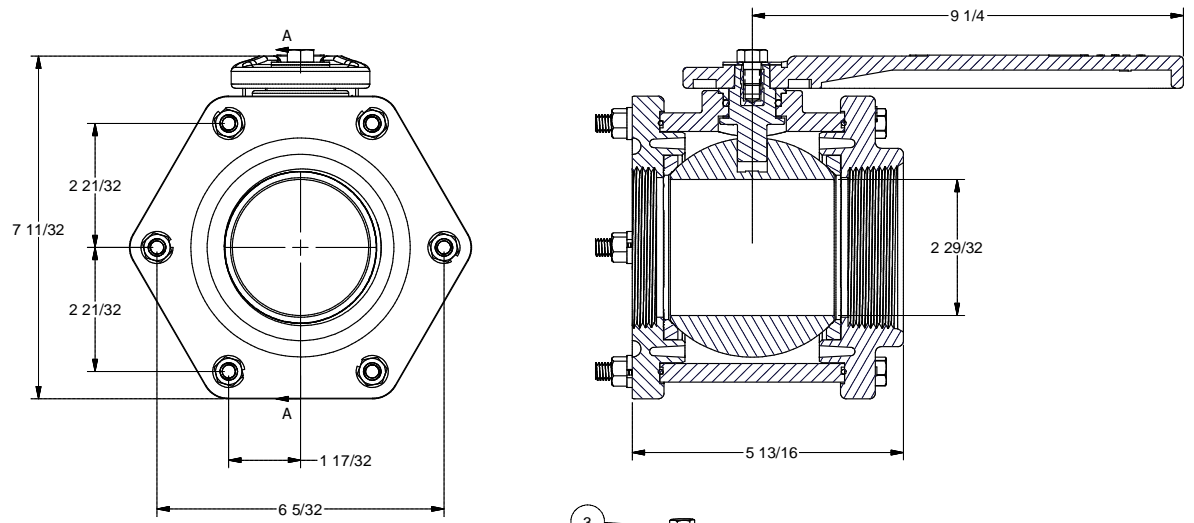


Parts List			
ITEM	QTY	PART NUMBER	DESCRIPTION
1	6	V20018	3/8" LOCKWASHER
2	6	V20019	3/8" HEX NUT
3	1	V25020	3/8" Handle Bolt
4	1	V25060	VALVE STEM THRUST BEARING
5	1	V25121	3/8" Fender Washer
6	1	V25153	2" FP Handle
7	1	V25160	Stem Bushing
8	1	V25163	#214 FKM O'RING
9	1	V30151	STEM 3" FP, 4"
10	6	V35017	3/8"-16 x 6" HHCS, 18-8SS
11	1	V35254	3" FP VALVE BODY
12	1	V35255A	3" Full Port Ball
13	2	V35258A	3" FP Ball Seat
14	1	V35264	3" FP End Plate
15	1	V35264TF	3" Full Port Endplate
16	2	V35265	3" FP body O-ring FKM



THIS DRAWING AND ALL INFORMATION CONTAINED THEREON ARE THE EXCLUSIVE PROPERTY OF BANJO CORPORATION.  
 UNLESS SPECIFICALLY NOTED, THIS DRAWING AND ITEMS SHOWN ON THIS DRAWING ARE SUBJECT TO CHANGE AT ANY TIME.

BANJO CORPORATION  
 150 BANJO DRIVE, CRAWFORDSVILLE, IN 47933  
 WEB SITE: WWW.BANJOCORP.COM  
 E-MAIL: BANJOSALES@IDEXCORP.COM

DESCRIPTION  
**3" FP VALVE ASSY**

PART NUMBER  
**VTF300FP**