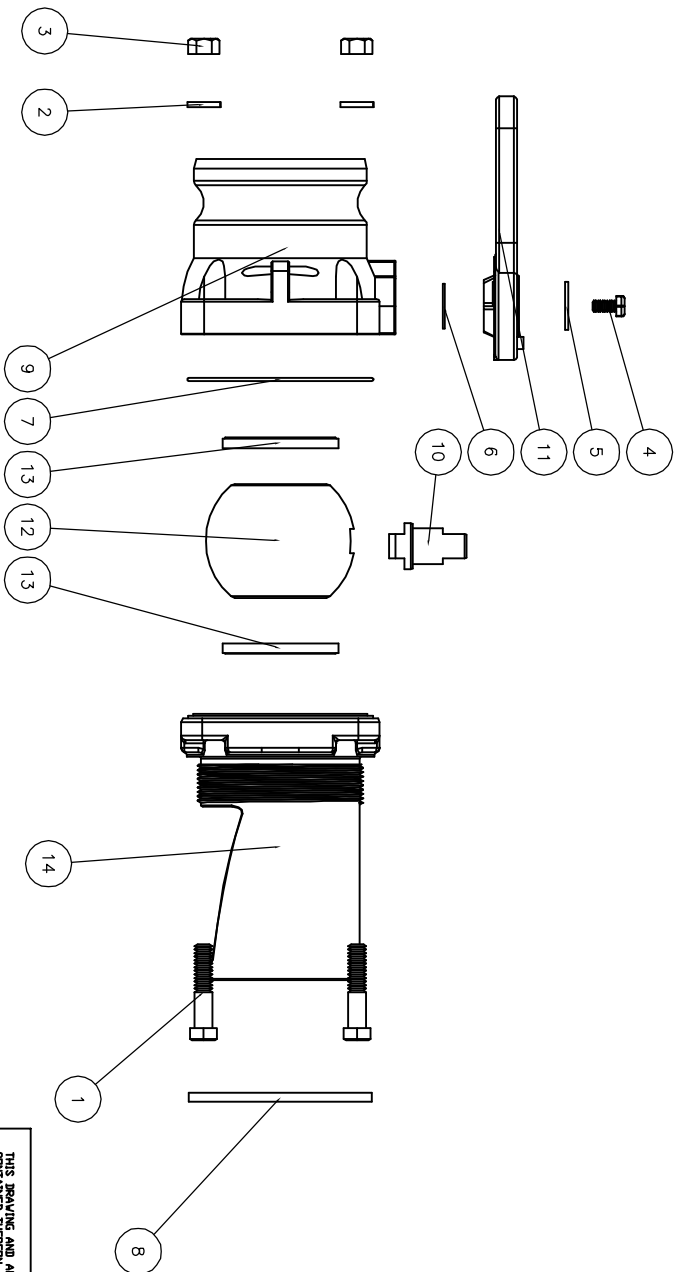


Parts list			
Item	Description	Material	Cn.
1	V20011	Steel	4
2	V20018	18-8SS	4
3	V20019P	18-8SS	4
4	V20020	18-8SS	1
5	V20021	18-8SS	1
6	V20060	TFE	1
7	V25214BNFD	BUNA FDA	1
8	V30102FDBN	BUNA FDA	1
9	VF25253AFD	20%GFPP	1
10	VS20151	30%GFPP	1
11	VS20152SH	30% GFPP	1
12	VS25255	20%TFPP	1
13	VS25258D	TFE	2
14	VSCB25357BFD	20% GFPP	1



THIS BRAVING AND ALL INFORMATION CONTAINED THEREON ARE THE EXCLUSIVE PROPERTY OF BANJO CORPORATION. NO PARTS OR INFORMATION FROM THIS BRAVING ARE SUBJECT TO CHANGE AT ANY TIME.



BANJO CORPORATION  
150 BANJO DR. ■ GRAYFORSVILLE, IN 47933

PART NO. VSFCB334B

TITLE 2" PP - 3" WALE ADPTR X 3" 8SPW Male Thrd Corrodulk EP