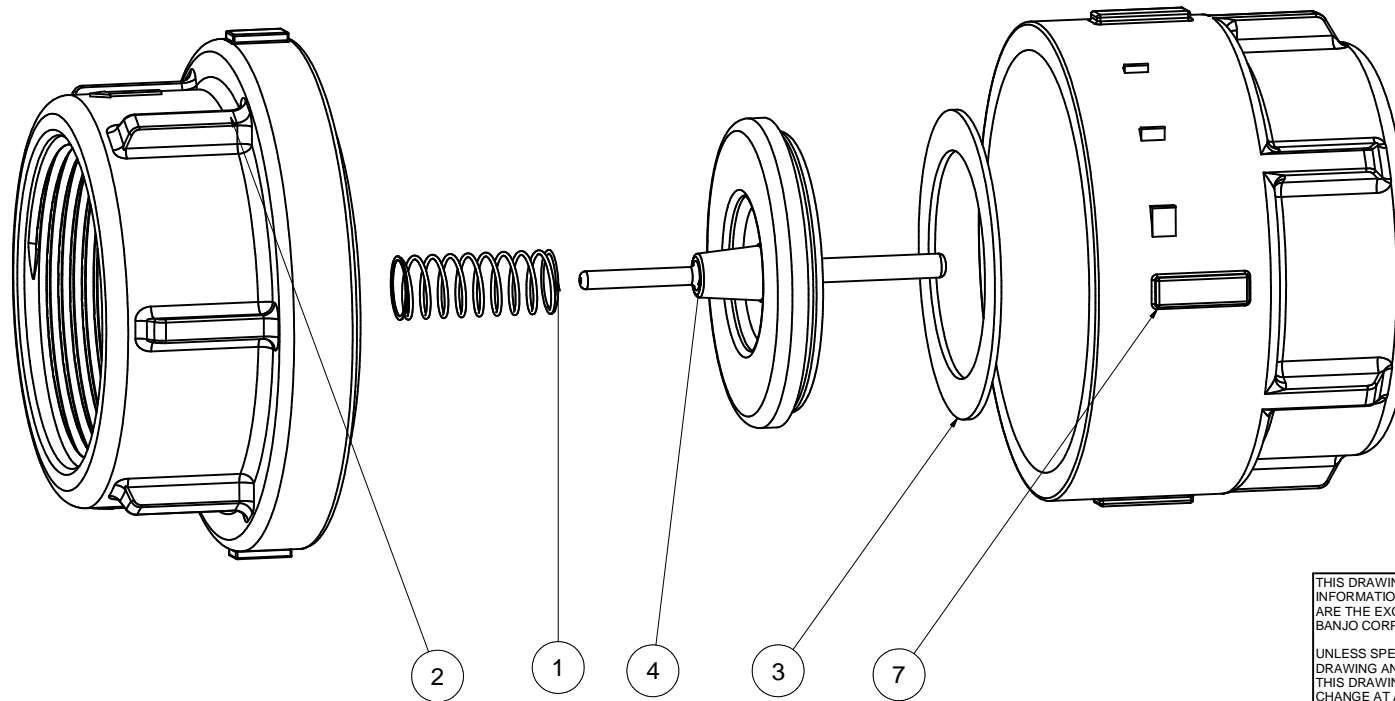


Parts List			
ITEM	QTY	PART NUMBER	DESCRIPTION
1	1	CV21505	CV 1/2 PSI SPRING
2	1	CV30056	3" NPT MALE HALF CV END PLATE
3	1	CV30075	GASKET
4	1	CV30055	3" FP CHECK
5	1	CV10005	PSI DECAL (N/S)
6	1	VL1004	EPDM DECAL (N/S)
7	1	CV30054	3" NPT FEMALE CV BODY HALF



THIS DRAWING AND ALL INFORMATION CONTAINED THEREON ARE THE EXCLUSIVE PROPERTY OF BANJO CORPORATION.

UNLESS SPECIFICALLY NOTED, THIS DRAWING AND ITEMS SHOWN ON THIS DRAWING ARE SUBJECT TO CHANGE AT ANY TIME.

**BANJO CORPORATION**

150 BANJO DRIVE, CRAWFORDSVILLE, IN 47933  
 WEB SITE: WWW.BANJOCORP.COM  
 E-MAIL: SALES1@BANJOCORP.COM

DESCRIPTION: 3" NPT CHECKVALVE  
 PART NUMBER: CV300