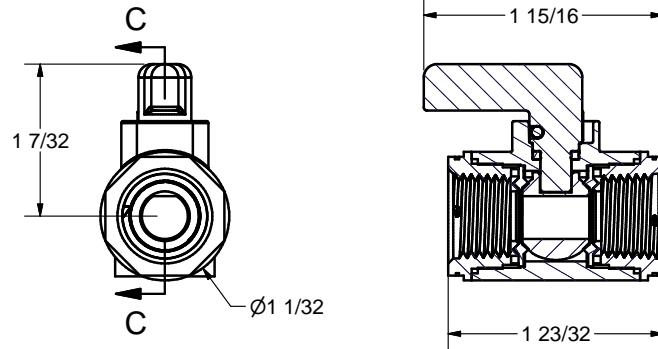


4

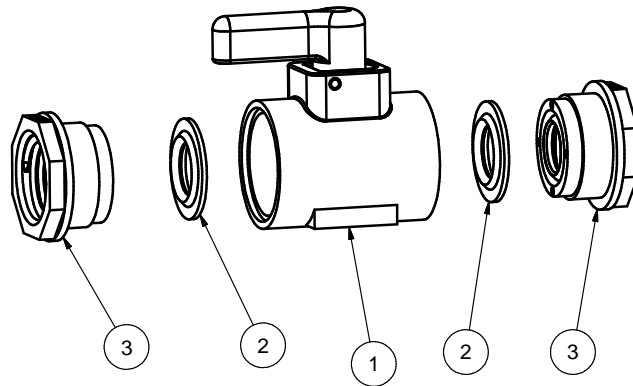
3

2

1



Parts List			
ITEM	QTY	PART NUMBER	DESCRIPTION
1	1	LV038SUBV	LV038 Body Sub-Assembly FKM
2	2	LV03258V	3/8" MICRO-VALVE SEAT
3	2	LV03256	3/8" NPT END PLATE
4	1	LST1300D	PSI DECAL (N/S)
5	1	CE050D	CE DECAL (N/S)



THIS DRAWING AND ALL INFORMATION CONTAINED THEREON ARE THE EXCLUSIVE PROPERTY OF BANJO CORPORATION.

UNLESS SPECIFICALLY NOTED, THIS DRAWING AND ITEMS SHOWN ON THIS DRAWING ARE SUBJECT TO CHANGE AT ANY TIME.



BANJO CORPORATION

150 BANJO DRIVE, CRAWFORDSVILLE, IN 47933
 WEB SITE: WWW.BANJOCORP.COM
 E-MAIL: SALES1@BANJOCORP.COM

DESCRIPTION
 3/8" FEMALE NPT MICROVALVE

PART NUMBER
 LV038V

4

3

2

1