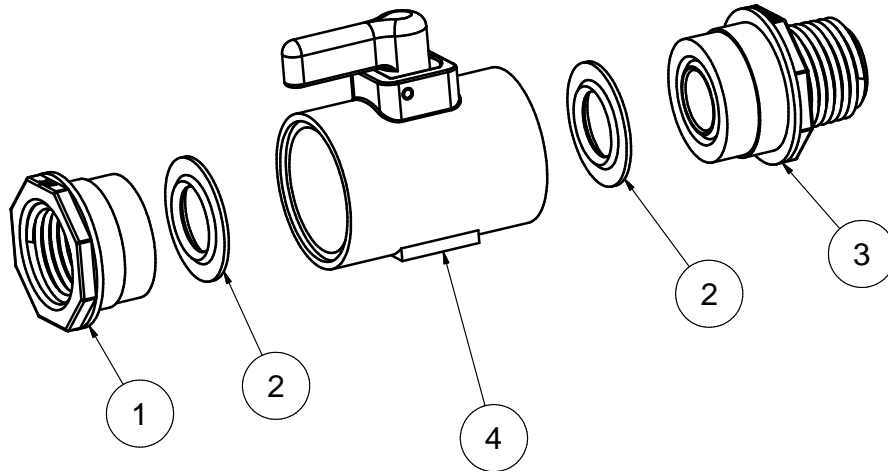
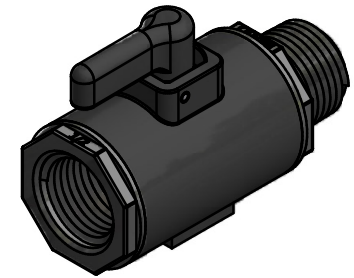


Parts List			
ITEM	QTY	PART NUMBER	DESCRIPTION
1	1	LV05256	1/2" NPT ENDPLATE
2	2	LV05258V	1/2" MICRO-VALVE SEAT
3	1	LVMT05256	1/2" NPT ENDPLATE
4	1	LV050SUBV	LV050 Sub-Assembly
5	1	LST1300D	PSI DECAL (N/S)
6	1	CE050D	CE DECAL (N/S)



THIS DRAWING AND ALL INFORMATION CONTAINED THEREON ARE THE EXCLUSIVE PROPERTY OF BANJO CORPORATION.

UNLESS SPECIFICALLY NOTED, THIS DRAWING AND ITEMS SHOWN ON THIS DRAWING ARE SUBJECT TO CHANGE AT ANY TIME.



BANJO CORPORATION
 150 BANJO DRIVE, CRAWFORDSVILLE, IN 47933
 WEB SITE: WWW.BANJOCORP.COM
 E-MAIL: SALES1@BANJOCORP.COM

DESCRIPTION
 1/2" FEMALE X MALE NPT MICROVALVE
 PART NUMBER

LV050MTV