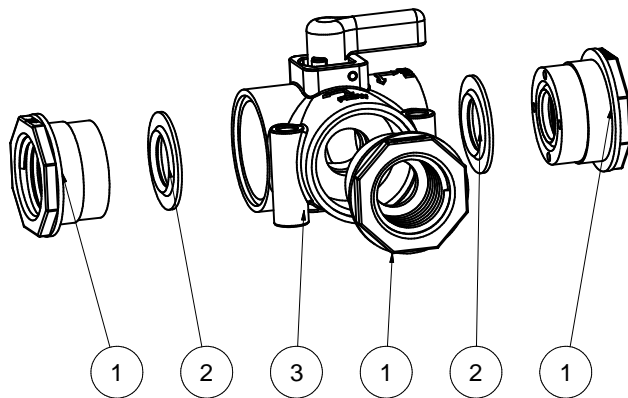
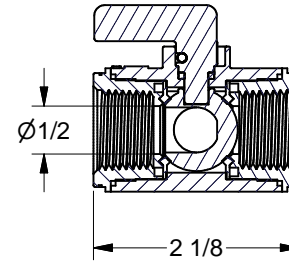
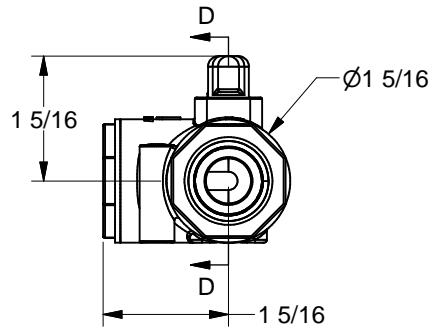
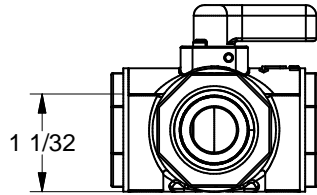
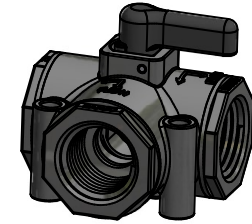
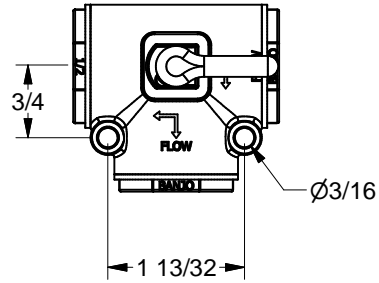


| Parts List |     |             |                               |  |
|------------|-----|-------------|-------------------------------|--|
| ITEM       | QTY | PART NUMBER | DESCRIPTION                   |  |
| 1          | 3   | LV05256     | 1/2" NPT ENDPLATE             |  |
| 2          | 2   | LV05258V    | 1/2" MICRO-VALVE SEAT         |  |
| 3          | 1   | LV050SUBSV  | LV050 SIDE LOAD SUB-ASSY, FKM |  |
| 4          | 1   | LST1300D    | PSI DECAL (N/S)               |  |
| 5          | 1   | CE050D      | CE DECAL (N/S)                |  |



THIS DRAWING AND ALL INFORMATION CONTAINED THEREON ARE THE EXCLUSIVE PROPERTY OF BANJO CORPORATION.

UNLESS SPECIFICALLY NOTED, THIS DRAWING AND ITEMS SHOWN ON THIS DRAWING ARE SUBJECT TO CHANGE AT ANY TIME.

**BANJO CORPORATION**

150 BANJO DRIVE, CRAWFORDSVILLE, IN 47933  
 WEB SITE: WWW.BANJOCORP.COM  
 E-MAIL: SALES1@BANJOCORP.COM

DESCRIPTION  
 1/2" FNPT SIDE LOAD VALVE, FKM

PART NUMBER  
 LV050SLV