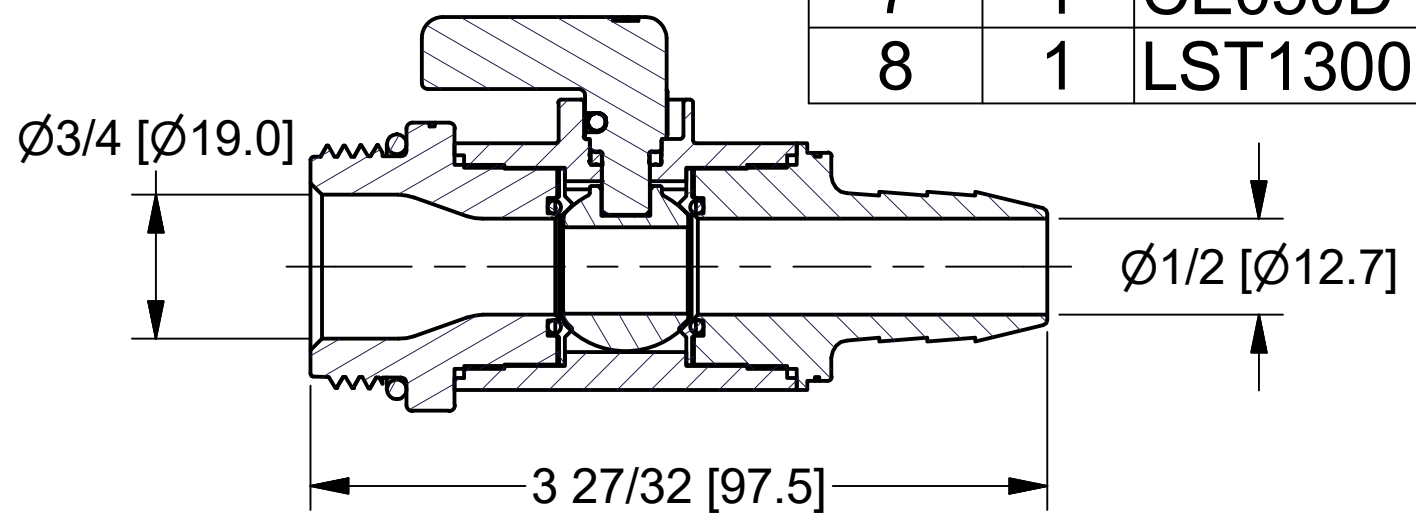
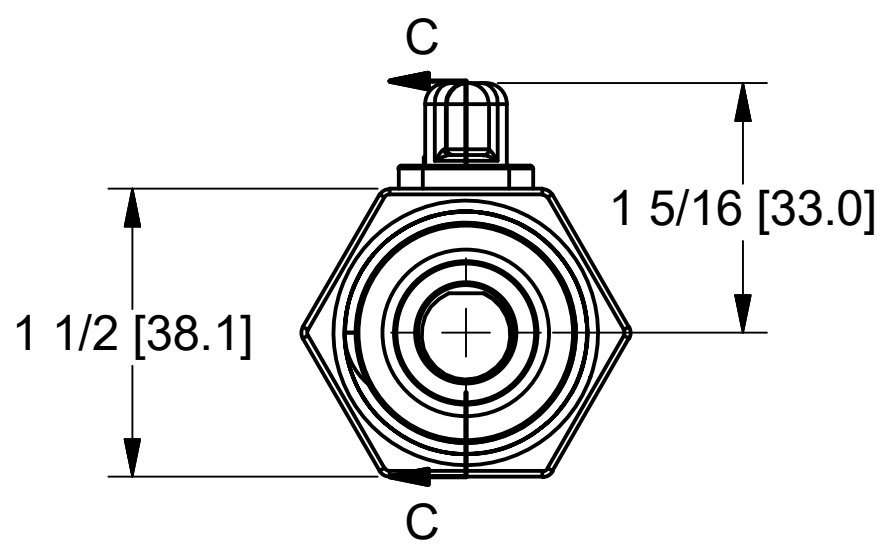
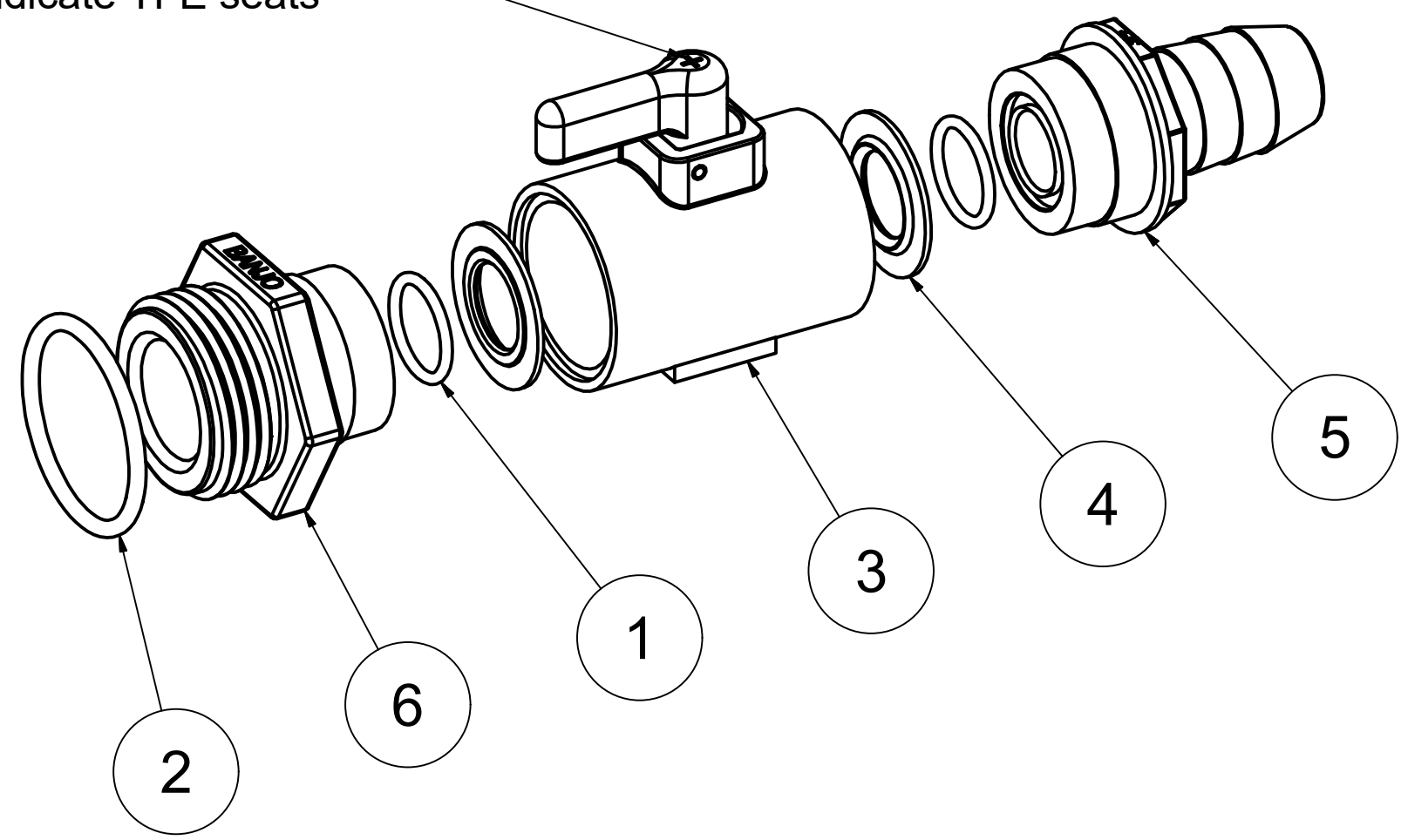


Parts List			
ITEM	QTY	PART NUMBER	DESCRIPTION
1	2	FP26041V	2-015 O-ring, FKM
2	1	LSQ200-RV	2-123 FKM O-RING
3	1	LV050SUBV	LV050 Sub-Assembly
4	2	LV05258T1	1/2" MICRO-VALVE SEAT TFE
5	1	LVHB07256A	3/4" HOSE BARB ENDPLATE, MACHINED
6	1	LVMT10556A	1" NPT ENDPLATE FOR TFM SEAT
7	1	CE050D	CE DECAL (N/S)
8	1	LST1300D	PSI DECAL (N/S)



"+" mark on handle to indicate TFE seats



THIS DRAWING AND ALL INFORMATION CONTAINED THEREON ARE THE EXCLUSIVE PROPERTY OF BANJO CORPORATION.

UNLESS SPECIFICALLY NOTED, THIS DRAWING AND ITEMS SHOWN ON THIS DRAWING ARE SUBJECT TO CHANGE AT ANY TIME.



**BANJO CORPORATION**

150 BANJO DRIVE, CRAWFORDSVILLE, IN 47933  
 WEB SITE: WWW.BANJOCORP.COM  
 E-MAIL: SALES1@BANJOCORP.COM

DESCRIPTION  
**3/4" HOSE BARB X 1" MNPT MICRO-VALVE**

PART NUMBER  
**LVHB075100MTV**