

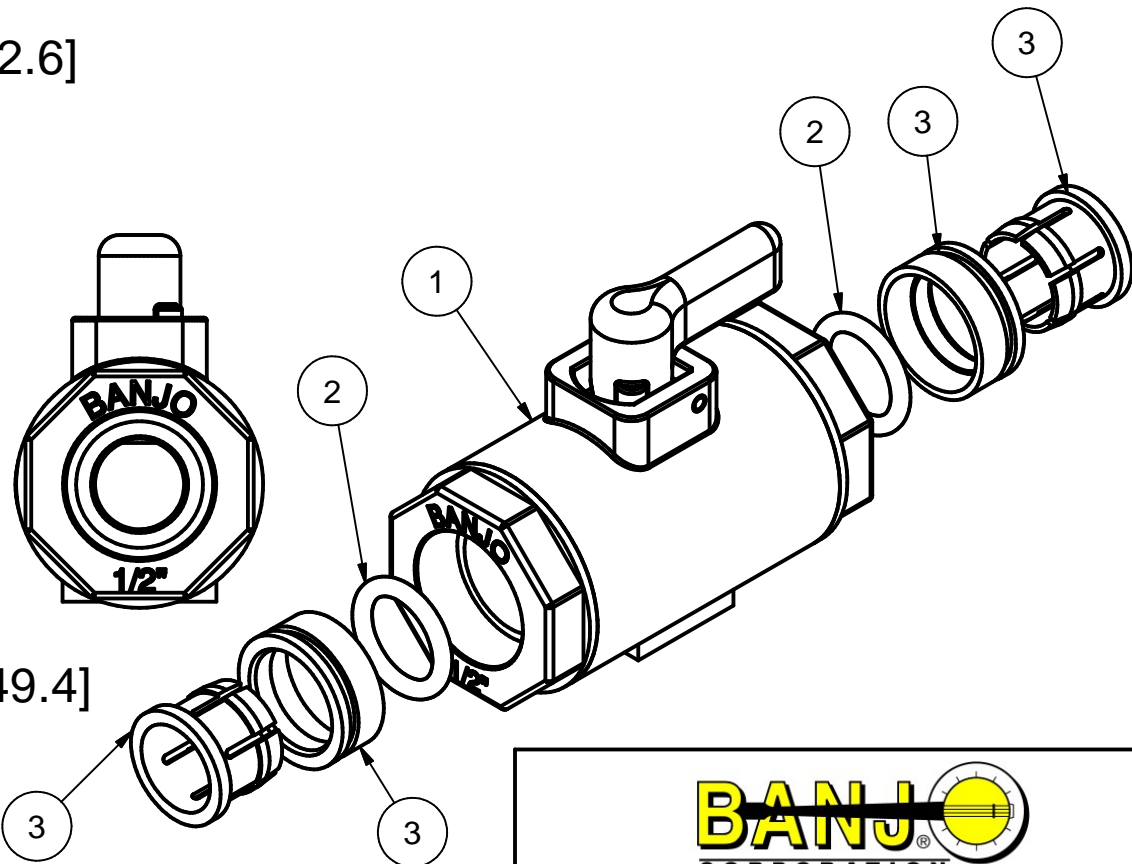
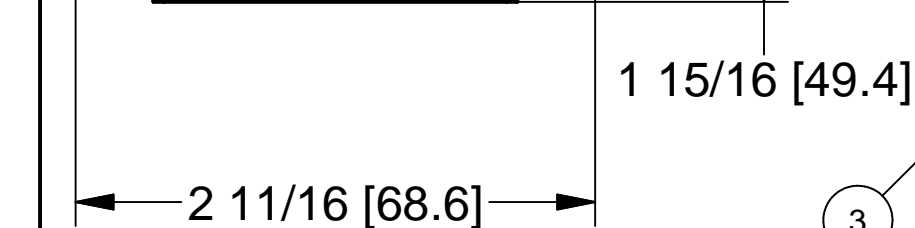
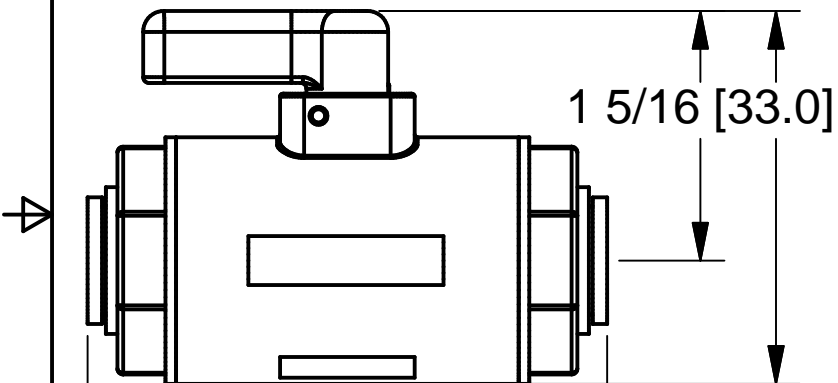
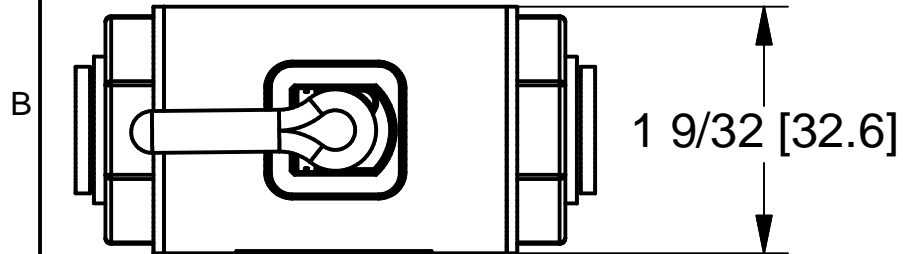
2



1

## Parts List

ITEM	QTY	PART NUMBER	DESCRIPTION
1	1	LVPL050VX	1/2" Push Lock Micro Valve FKM SubAssy
2	2	V07163	2-112 O-RING FKM
3	2	PI2816S	1/2" Pushlock Cartridge Kit ACETAL/EPDM



**BANJO CORPORATION**  
 150 BANJO DRIVE, CRAWFORDSVILLE, IN 47933  
 WEB SITE: WWW.BANJOCORP.COM  
 E-MAIL: BANJOSALES@IDEXCORP.COM

DESCRIPTION  
 1/2" Push Lock Micro Valve FKM

PART NUMBER  
 LVPL050V

THIS DRAWING AND ALL INFORMATION CONTAINED THEREON ARE THE EXCLUSIVE PROPERTY OF BANJO CORPORATION.

UNLESS SPECIFICALLY NOTED, THIS DRAWING AND ITEMS SHOWN ON THIS DRAWING ARE SUBJECT TO CHANGE AT ANY TIME.

2



1