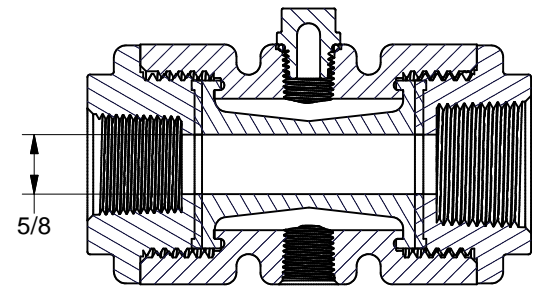
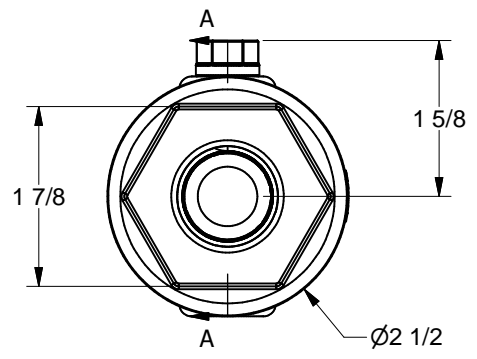
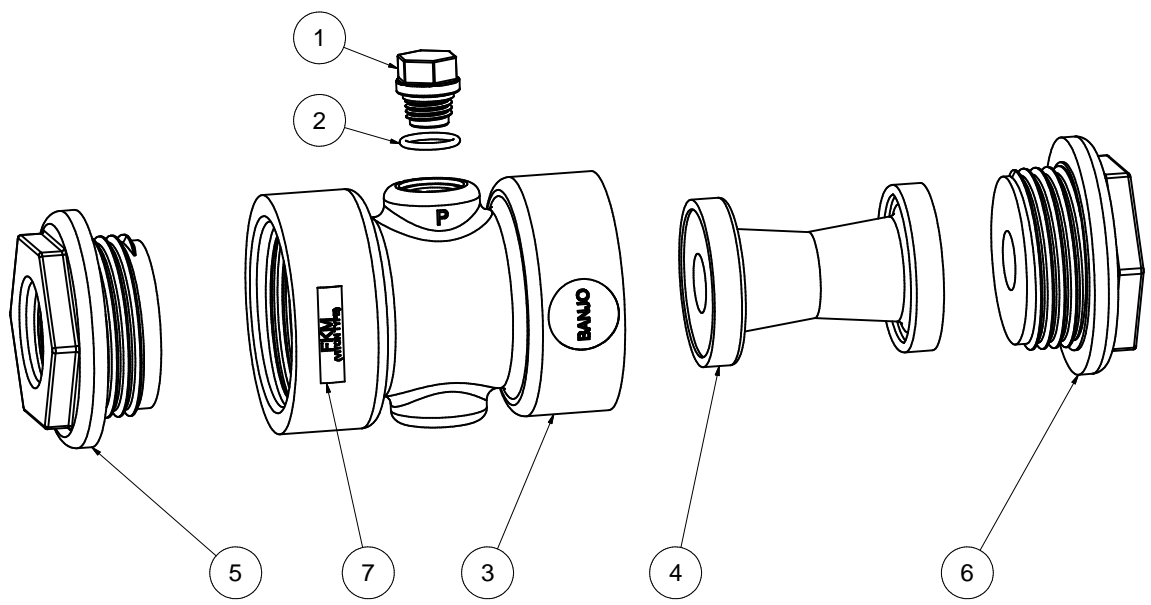


		Parts List	
ITEM	QTY	PART NUMBER	DESCRIPTION
1	1	12723	1/4" PIPE PLUG
2	1	12724	#14 O'RING
3	1	PV10254	PINCH VALVE BODY
4	1	PV10265V	PINCH VALVE SEAL, FKM
5	1	PV13251	3/4" Pinch Valve Endplate for Viton Bladder
6	1	PV14620	1" Pinch Valve Endplate for Viton Bladder
7	1	VL1005	VITON LABEL



NOTE:

PLUG MUST BE ASSEMBLED ON PORT WITH "P". ENDPLATES CAN BE ASSEMBLED ON EITHER END ON VALVE BODY.



THIS DRAWING AND ALL INFORMATION CONTAINED THEREON ARE THE EXCLUSIVE PROPERTY OF BANJO CORPORATION.
UNLESS SPECIFICALLY NOTED, THIS DRAWING AND ITEMS SHOWN ON THIS DRAWING ARE SUBJECT TO CHANGE AT ANY TIME.

BANJO CORPORATION	
150 BANJO DRIVE, CRAWFORDSVILLE, IN 47933 WEB SITE: WWW.BANJOCORP.COM E-MAIL: BANJOSALES@IDEXCORP.COM	
DESCRIPTION	1" X 3/4" PINCH VALVE, FKM
PART NUMBER	PV100-075V