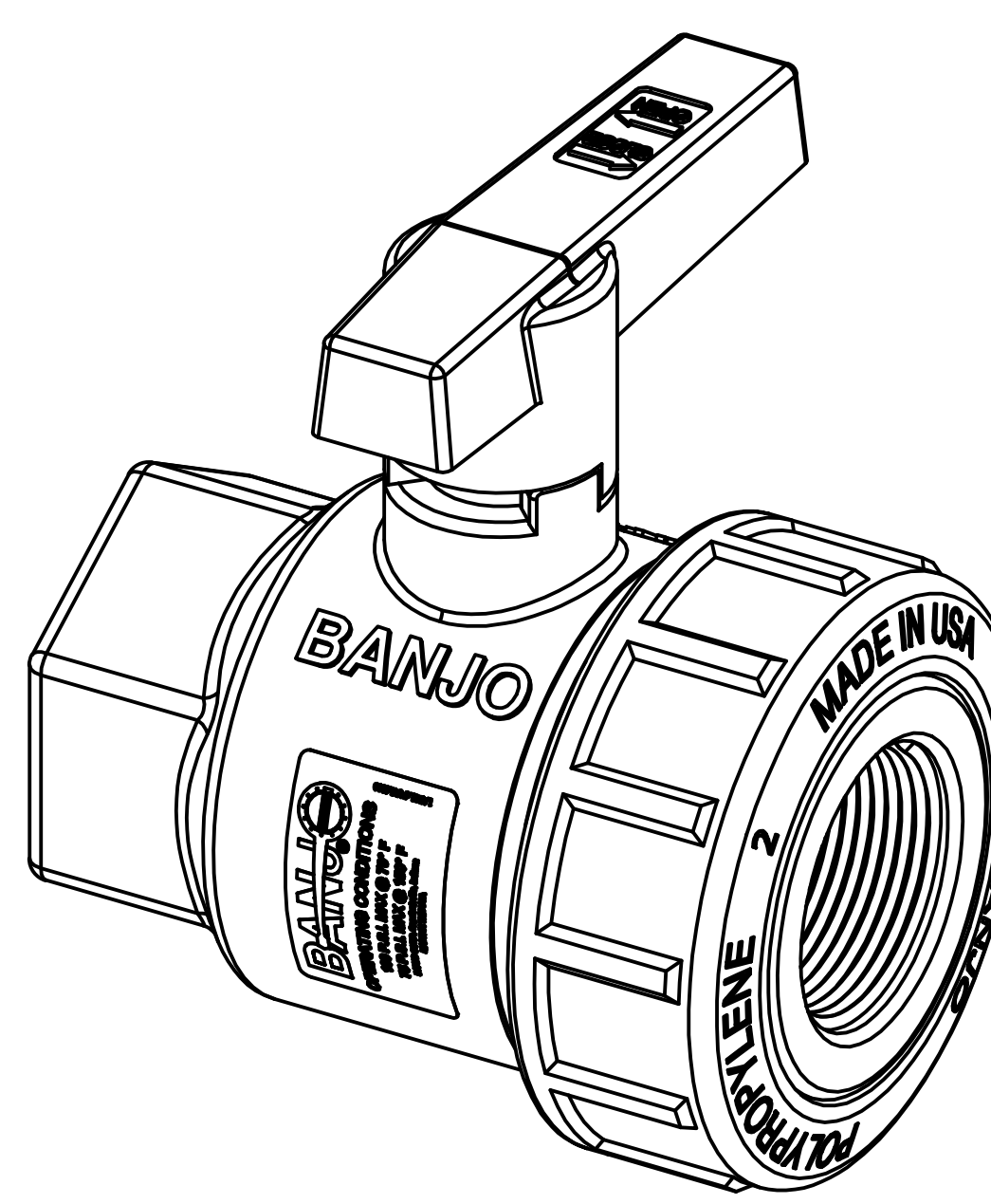
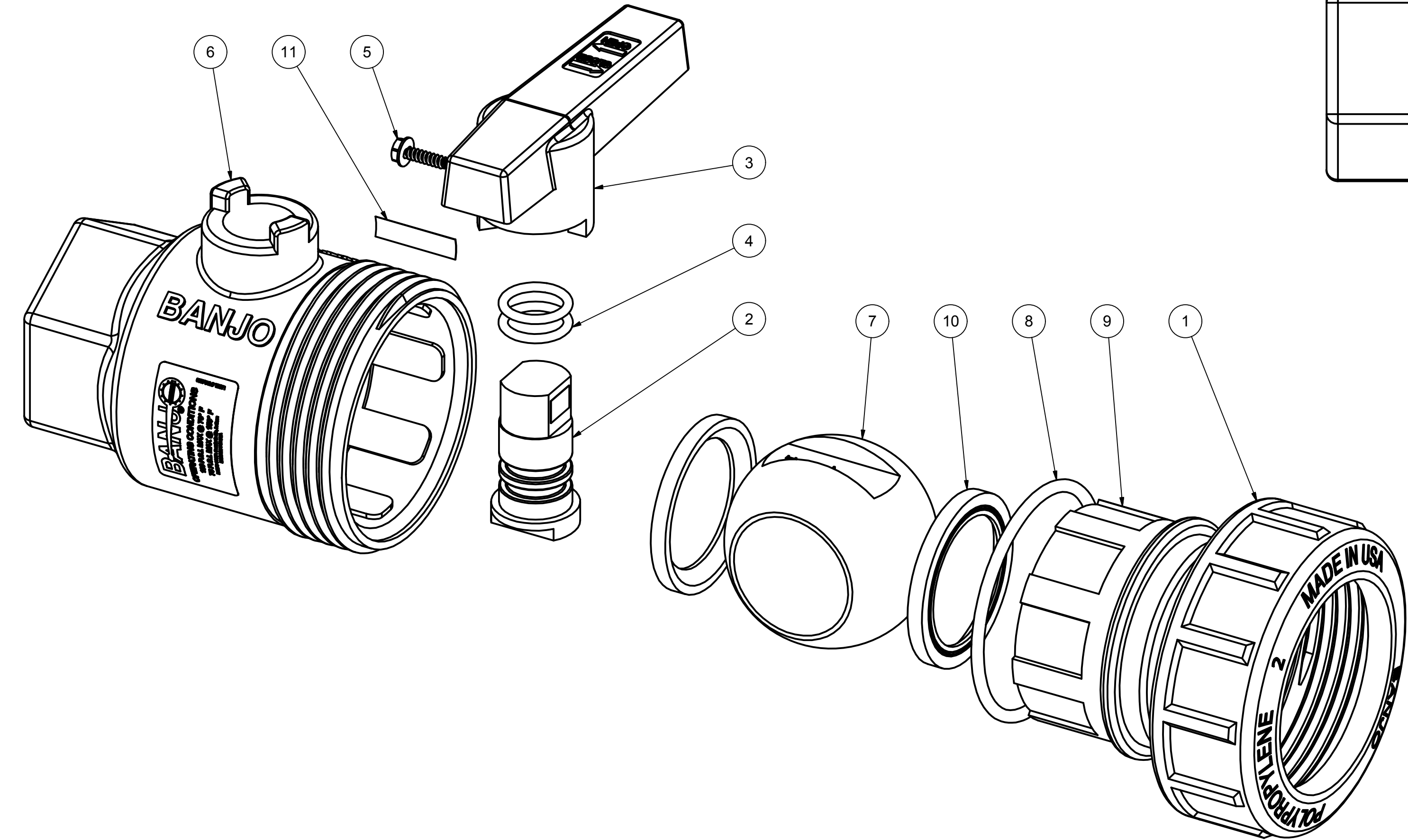
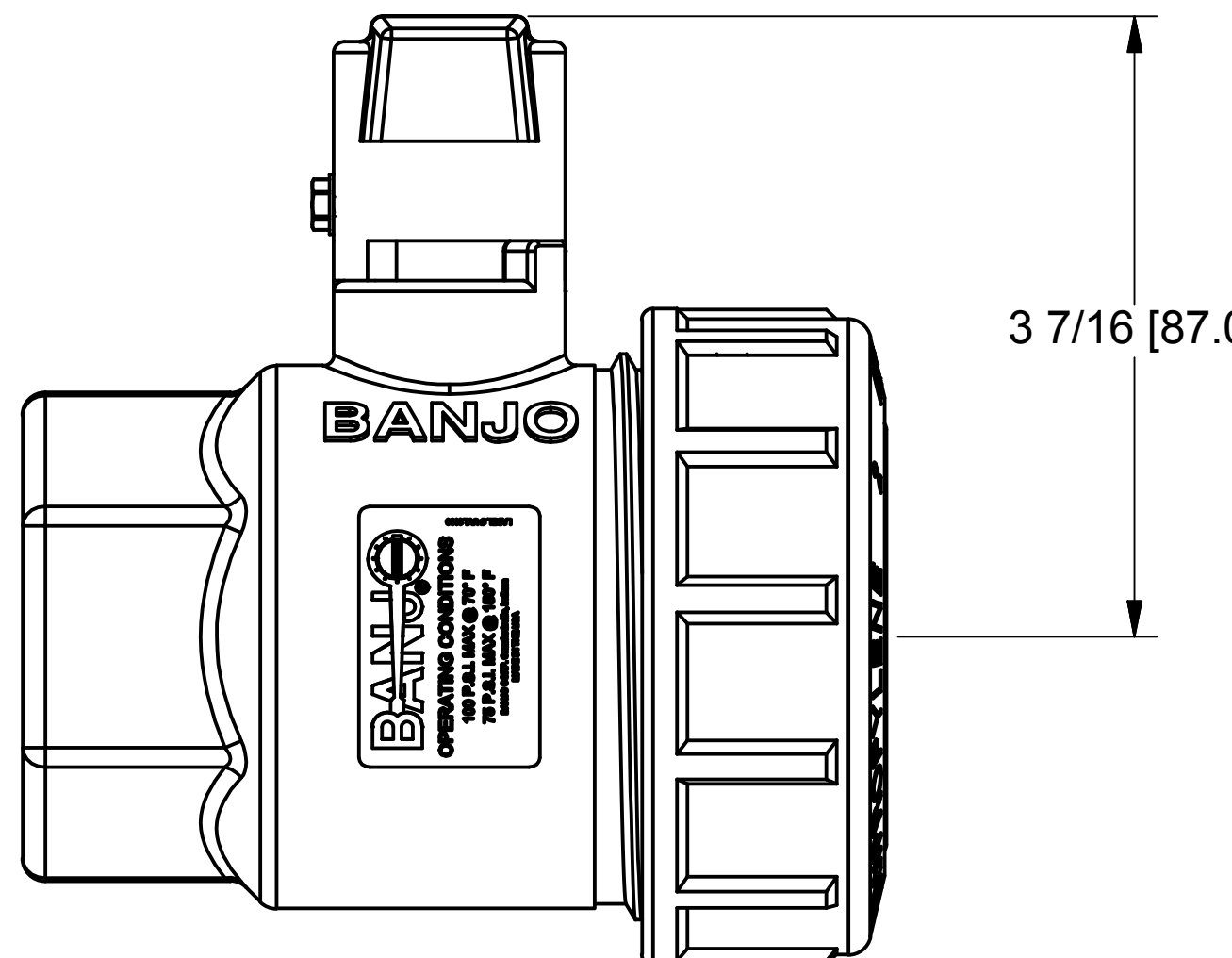
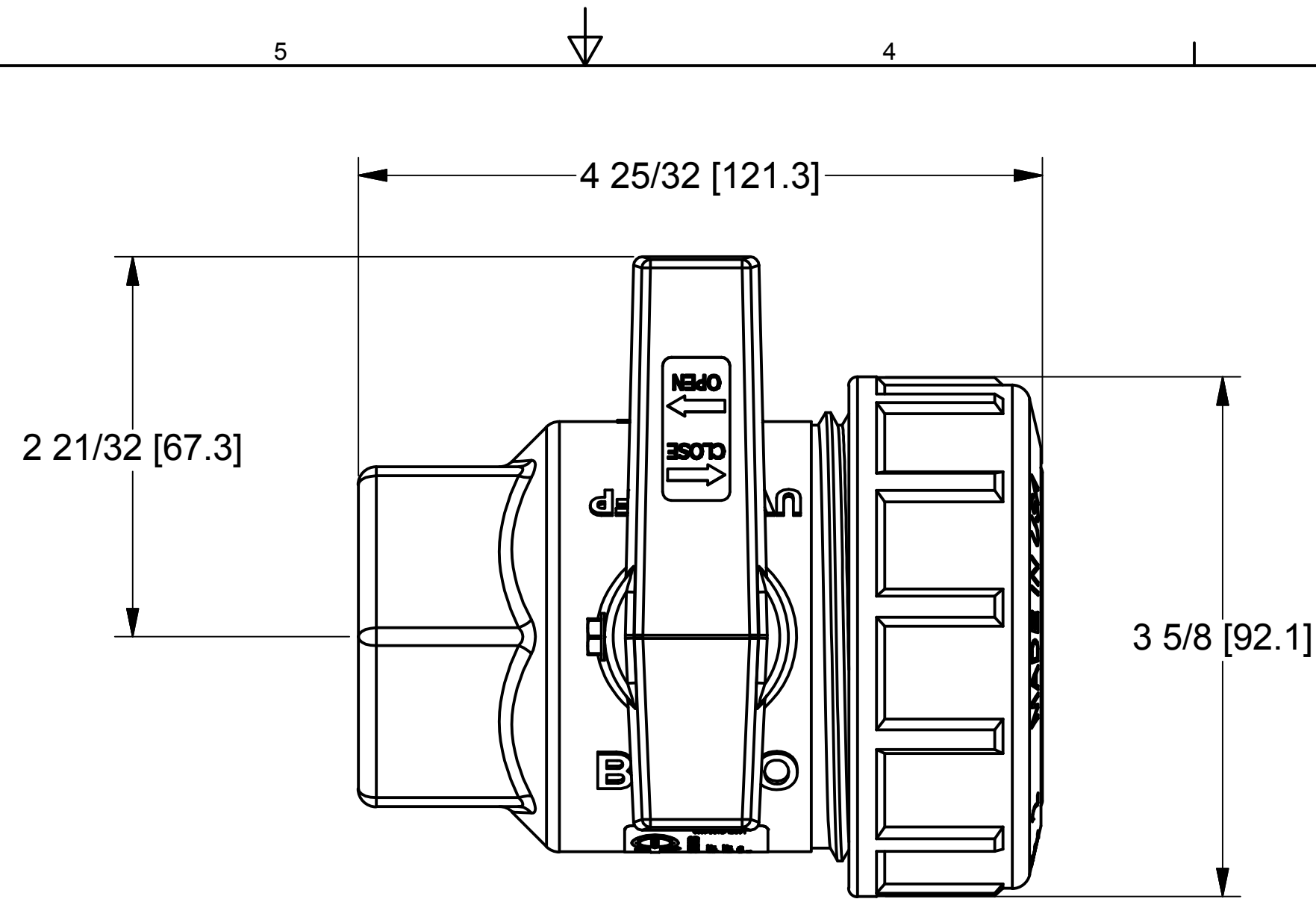


Parts List			
ITEM	QTY	PART NUMBER	DESCRIPTION
1	1	UV15150	1 1/2" UV Ring
2	1	UV15151	UV STEM
3	1	UV15153	UV HANDLE
4	2	UV15163V	2-114 O-RING
5	1	UV15220	#6 X 5/8" HWH SMS
6	1	UV15244	1 1/4" Union Valve, FKM
7	1	UV15255	UV BALL
8	1	UV15264V	1 1/2" UV Body O-ring, FKM
9	1	UV15267	1 1/4" UV END PLATE
10	2	V20258	2" Ball Seat
11	1	VL1005	VITON LABEL



THIS DRAWING AND ALL INFORMATION CONTAINED THEREON ARE THE EXCLUSIVE PROPERTY OF BANJO CORPORATION.

UNLESS SPECIFICALLY NOTED, THIS DRAWING AND ITEMS SHOWN ON THIS DRAWING ARE SUBJECT TO CHANGE AT ANY TIME.

BANJO CORPORATION
150 BANJO DRIVE, CRAWFORDSVILLE, IN 47933
WEB SITE: WWW.BANJOCORP.COM
E-MAIL: BANJOSALES@DEXCORP.COM

DESCRIPTION
1 1/4" Union Valve, FKM

PART NUMBER
UV125FPV