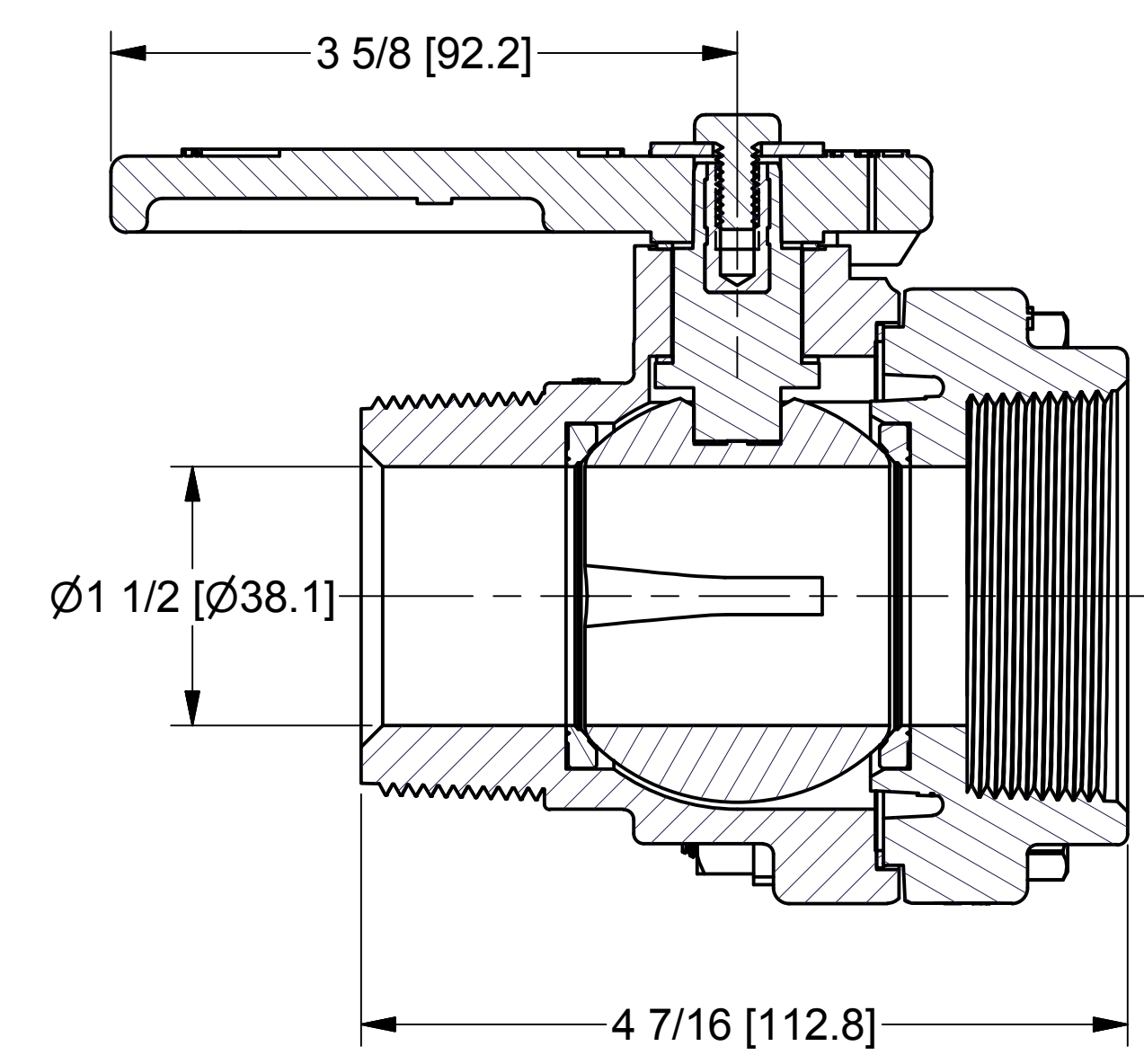
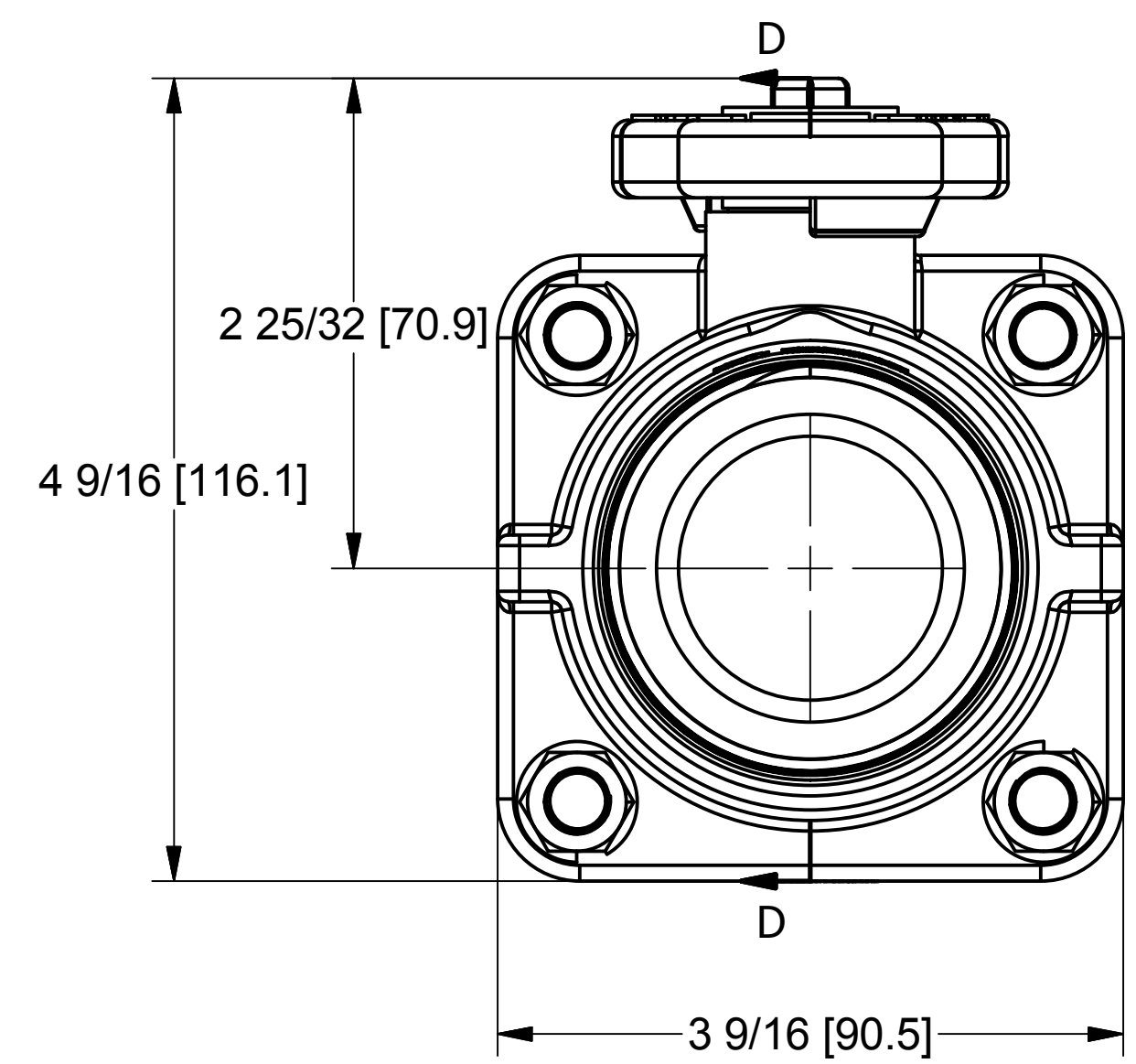
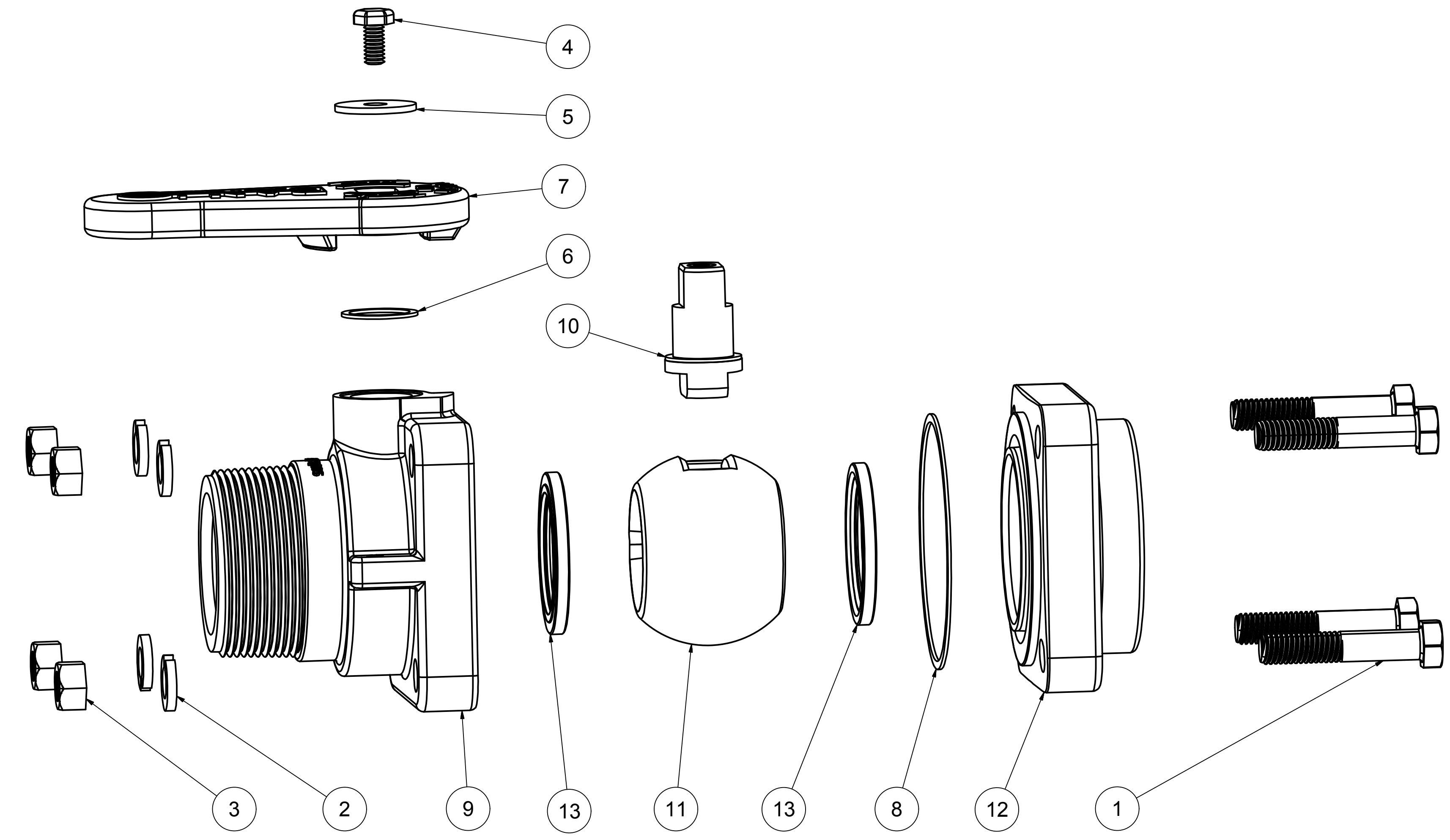


8 7 6 5 4 3 2 1



Parts List			
ITEM	QTY	PART NUMBER	DESCRIPTION
1	4	V20010SS	3/8-16 X 2" HHCS
2	4	V20018	3/8" LOCKWASHER
3	4	V20019	3/8" HEX NUT
4	1	V20020	2" handle Bolt
5	1	V20021	Handle Washer
6	1	V20060	VALVE STEM THRUST BEARING
7	1	V20153H	HANDLE
8	1	V21204	TFE E/P BODY GASKET
9	1	VMT20254	2" NPT STUBBY BODY
10	1	VS20151	VALVE STEM W/ BEARING
11	1	VS20255	2" VALVE BALL
12	1	VS20256B	2" STUBBY ENDPLATE BSP
13	2	VS20258A	BALL SEAT



THIS DRAWING AND ALL INFORMATION CONTAINED THEREON ARE THE EXCLUSIVE PROPERTY OF BANJO CORPORATION.
UNLESS SPECIFICALLY NOTED, THIS DRAWING AND ITEMS SHOWN ON THIS DRAWING ARE SUBJECT TO CHANGE AT ANY TIME.



BANJO CORPORATION
150 BANJO DRIVE, CRAWFORDSVILLE, IN 47933
WEB SITE: WWW.BANJOCORP.COM
E-MAIL: SALES1@BANJOCORP.COM

DESCRIPTION
2" MNPT X 2" BSPT STUBBY VALVE

PART NUMBER
VSMT200B

8 7 6 5 4 3 2 1