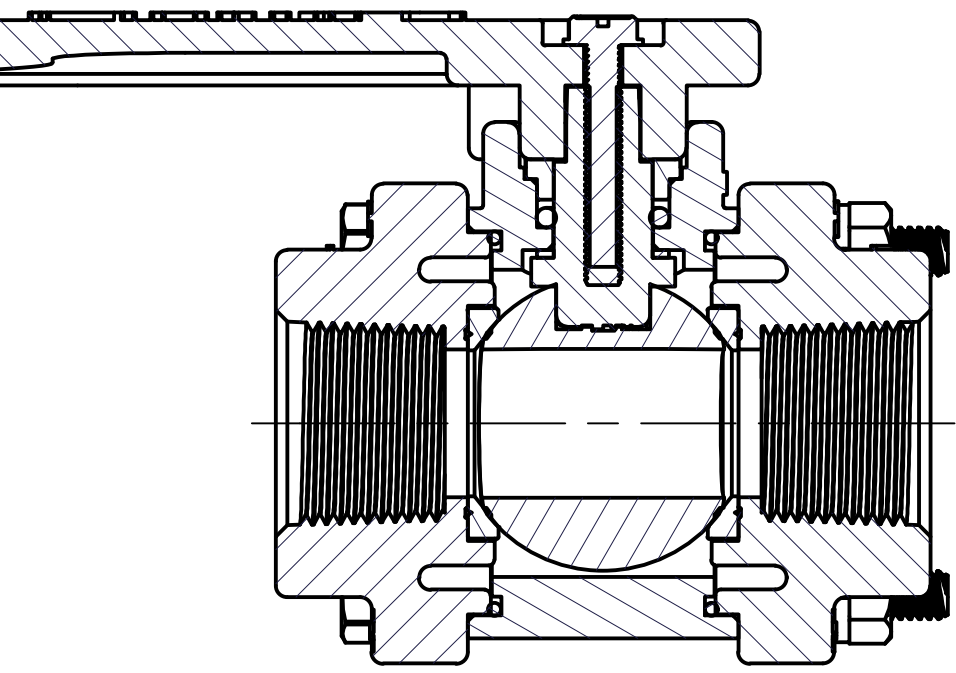


Parts List			
ITEM	QTY	PART NUMBER	DESCRIPTION
1	4	V07017	1/4-20 X 3" HHCS
2	4	V07018	1/4" LOCKWASHER
3	4	V07019	1/4-20 HEX NUT
4	1	V07060	THRUST BEARING
5	1	V07151A	STEM
6	1	V07155	VALVE BALL
7	1	V07159	TEFLON BUSHING
8	1	V07163E	2-112 O-RING, EPDM
9	1	V07254	VALVE BODY
10	2	V07257	3/4" NPT ENDPLATE
11	2	V07258A	3" FP Ball Seat
12	2	V07264E	#032 O-RING, EPDM
13	1	V10020A	10-32 X 1 1/4" SMS
14	1	V10153A	HANDLE
15	1	VL1007	150 PSI PRESSURE LABEL EPDM SEALS



SECTION C-C  
SCALE 1 : 1

THIS DRAWING AND ALL INFORMATION CONTAINED THEREON ARE THE EXCLUSIVE PROPERTY OF BANJO CORPORATION.

UNLESS SPECIFICALLY NOTED, THIS DRAWING AND ITEMS SHOWN ON THIS DRAWING ARE SUBJECT TO CHANGE AT ANY TIME.

**BANJO CORPORATION**  
 150 BANJO DRIVE, CRAWFORDSVILLE, IN 47933  
 WEB SITE: WWW.BANJOCORP.COM  
 E-MAIL: SALES1@BANJOCORP.COM

---

DESCRIPTION  
**3/4" Ball Valve, EPDM**

---

PART NUMBER  
**V075E**