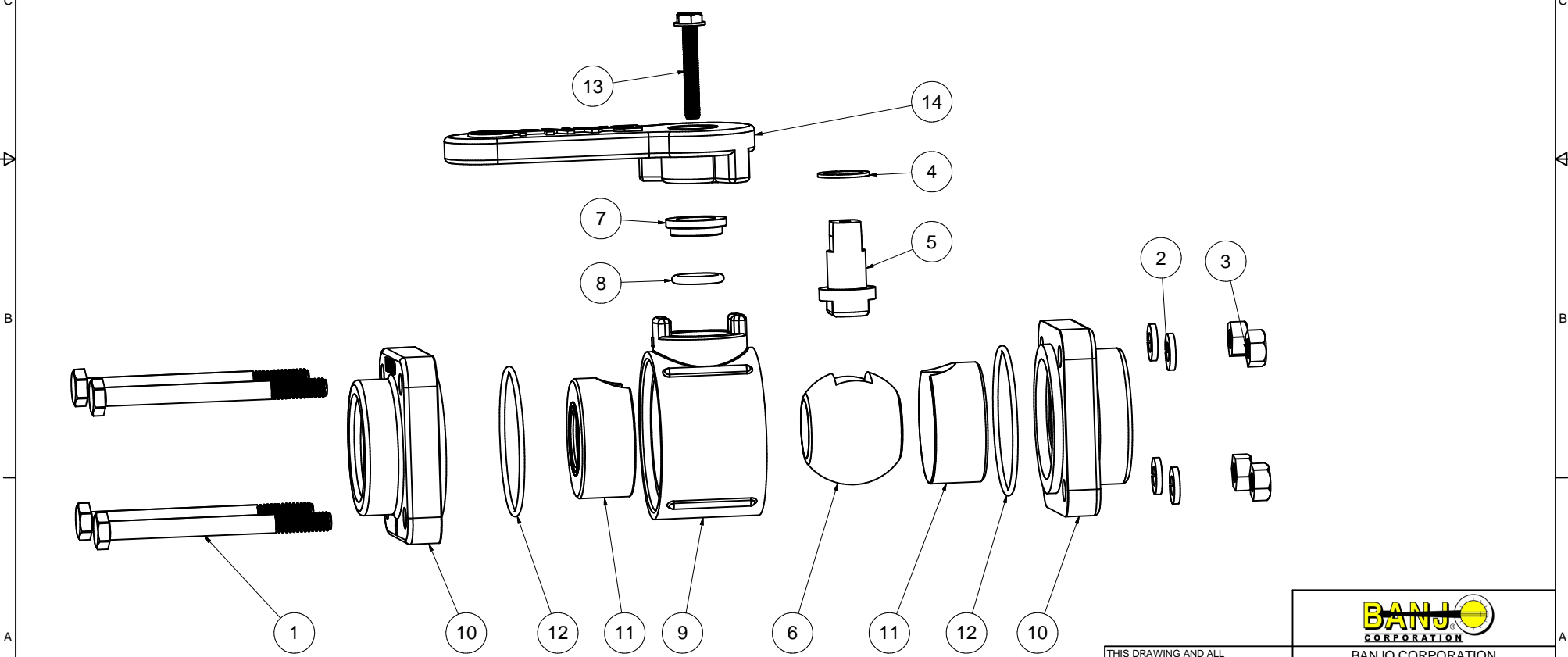



Parts List			
ITEM	QTY	PART NUMBER	DESCRIPTION
1	4	V07017	1/4-20 X 3" HHCS
2	4	V07018	1/4" LOCKWASHER
3	4	V07019	1/4-20 HEX NUT
4	1	V07060	THRUST BEARING
5	1	V07151A	STEM
6	1	V07155	VALVE BALL
7	1	V07159	TEFLON BUSHING
8	1	V07163	2-112 O-RING FKM
9	1	V07254	VALVE BODY
10	2	V07256F	1" ENDPLATE FOR FILLED VALVE
11	2	V07258F	FILLED VALVE SEAT
12	2	V07264	#032 O-RING, FKM
13	1	V10020A	10-32 X 1 1/4" SMS
14	1	V10153A	HANDLE



THIS DRAWING AND ALL INFORMATION CONTAINED THEREON ARE THE EXCLUSIVE PROPERTY OF BANJO CORPORATION.
UNLESS SPECIFICALLY NOTED, THIS DRAWING AND ITEMS SHOWN ON THIS DRAWING ARE SUBJECT TO CHANGE AT ANY TIME.



BANJO CORPORATION

150 BANJO DRIVE, CRAWFORDSVILLE, IN 47933
 WEB SITE: WWW.BANJOCORP.COM
 E-MAIL: BANJOSALES@IDEXCORP.COM

DESCRIPTION	1" POLY VALVE - TFE FILLED
PART NUMBER	V100KRF