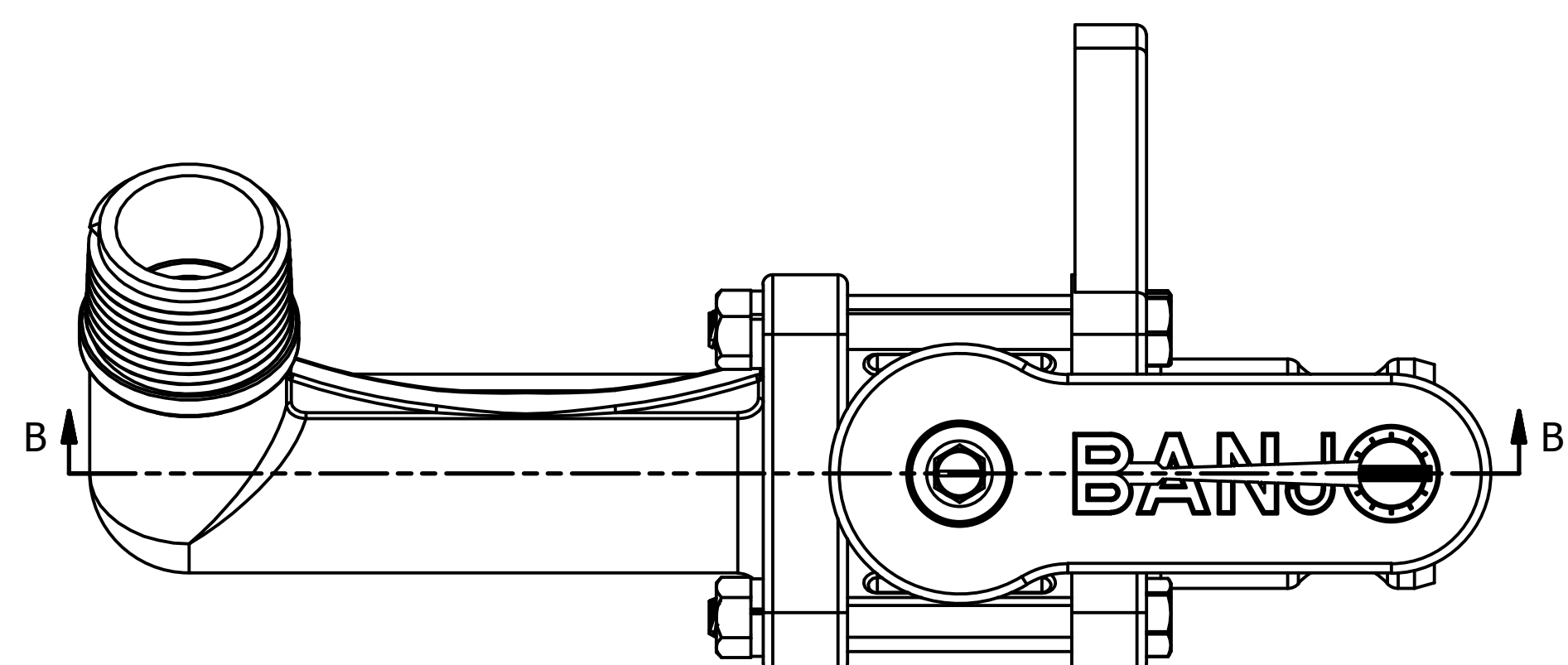
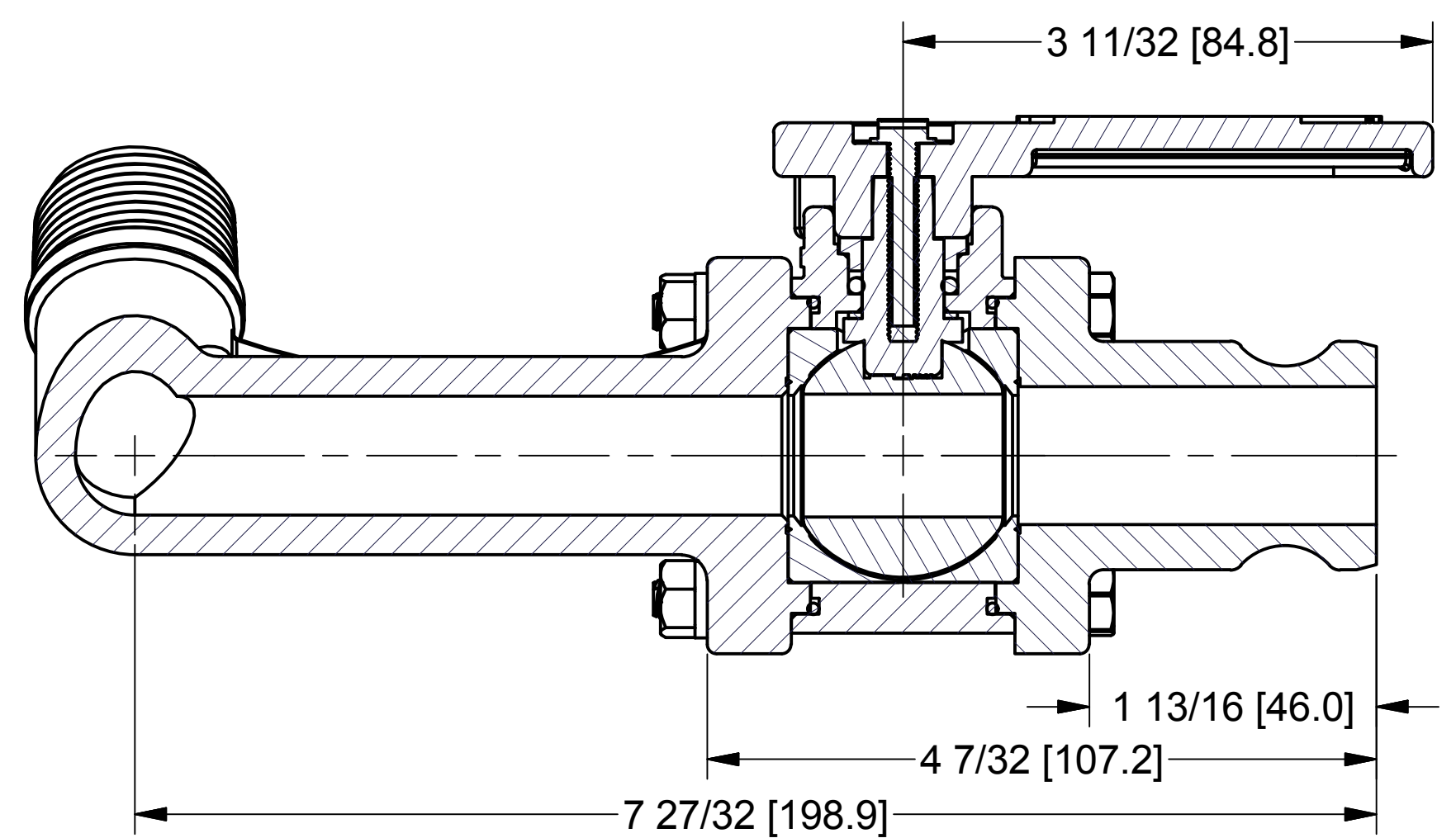


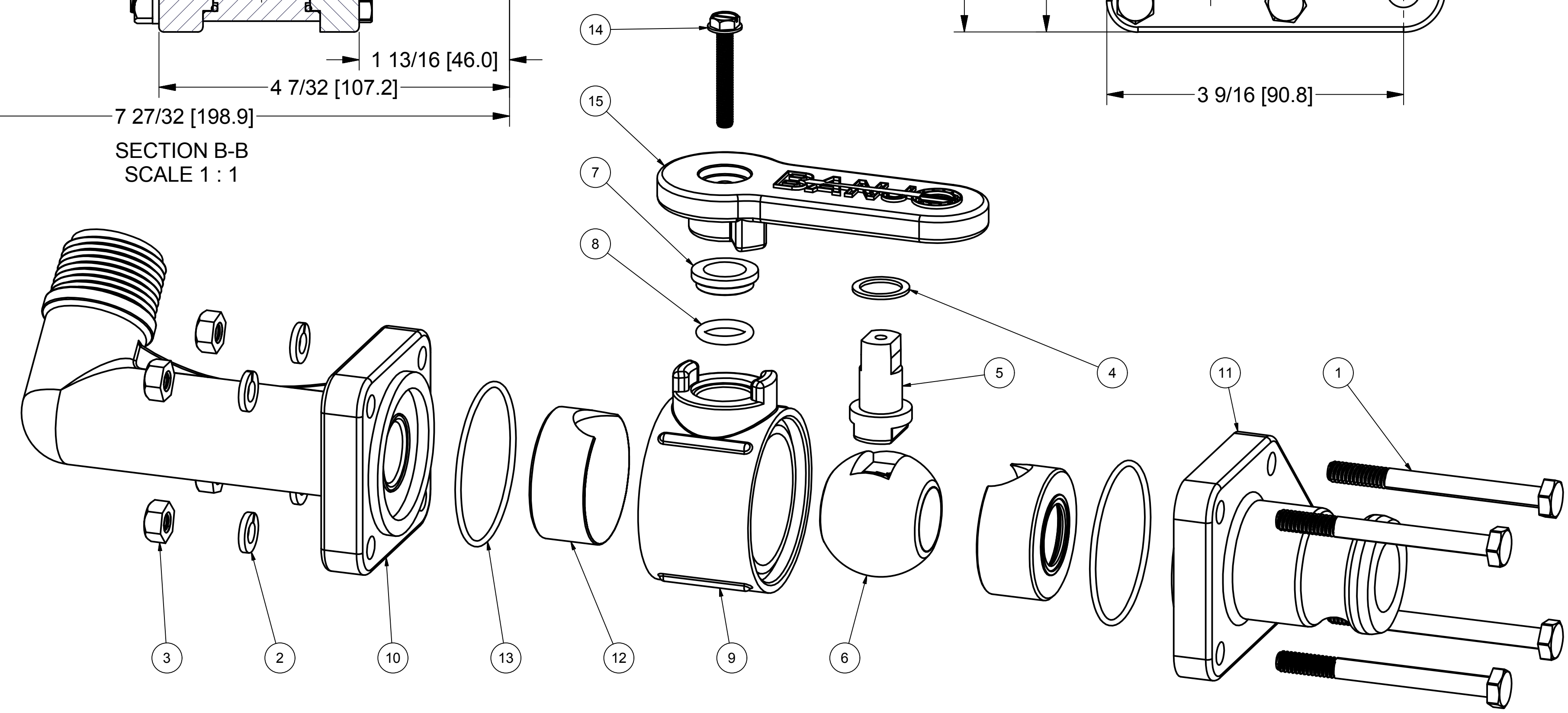
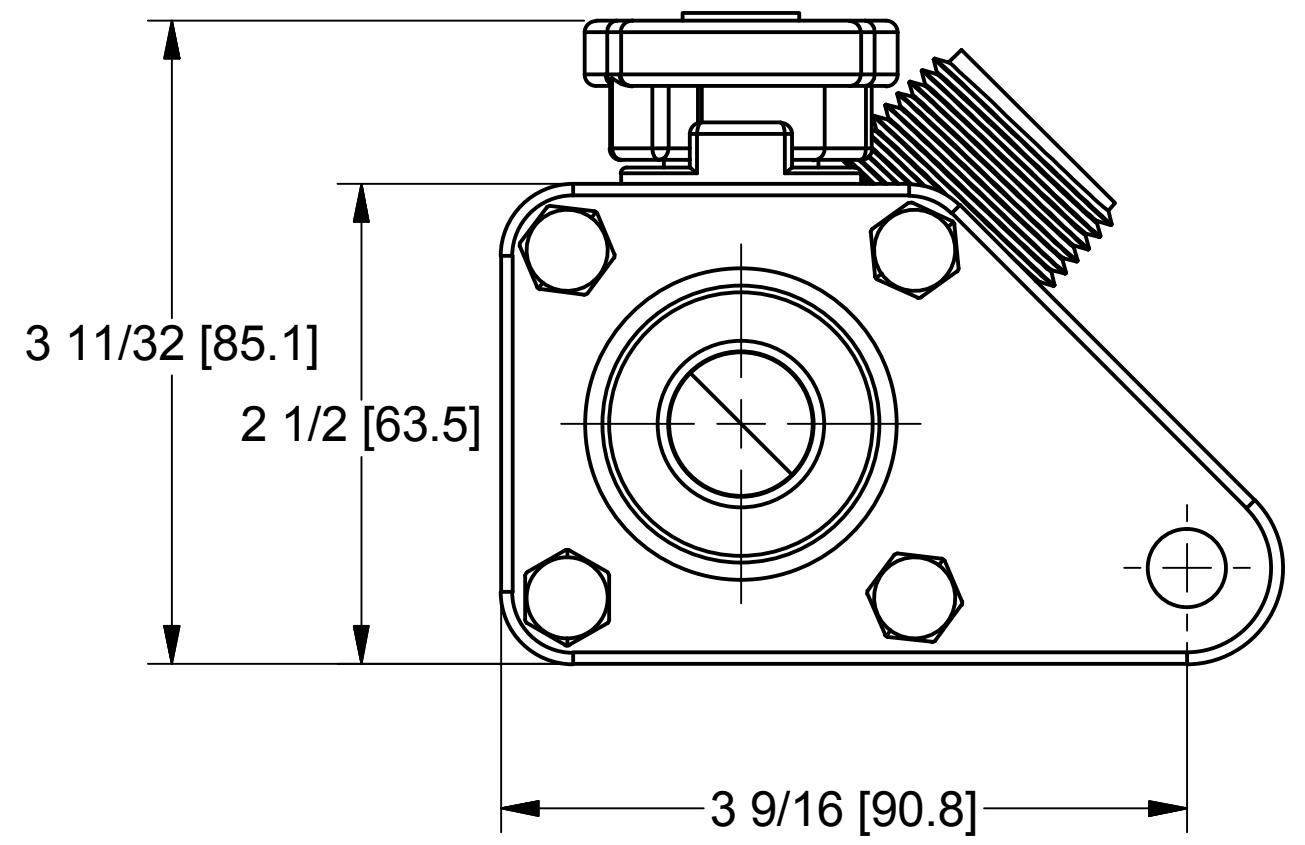
8 7 6 5 4 3 2 1



Parts List			
ITEM	QTY	PART NUMBER	DESCRIPTION
1	4	V07016	1/4-20 X 2 3/4" HHCS
2	4	V07018	1/4" LOCKWASHER
3	4	V07019	1/4-20 HEX NUT
4	1	V07060	THRUST BEARING
5	1	V07151A	STEM
6	1	V07155	VALVE BALL
7	1	V07159	TEFLON BUSHING
8	1	V07163	2-112 O-RING FKM
9	1	V07254	VALVE BODY
10	1	V07256FA	1" NPT X 90° END PLATE
11	1	V07256PF	1" MALE ADAPTER ENDPLATE
12	2	V07258F	FILLED VALVE SEAT
13	2	V07264	#032 O-RING, FKM
14	1	V10020A	10-32 X 1 1/4" SMS
15	1	V10153A	HANDLE



SECTION B-B  
SCALE 1 : 1



THIS DRAWING AND ALL INFORMATION CONTAINED THEREON ARE THE EXCLUSIVE PROPERTY OF BANJO CORPORATION.  
UNLESS SPECIFICALLY NOTED, THIS DRAWING AND ITEMS SHOWN ON THIS DRAWING ARE SUBJECT TO CHANGE AT ANY TIME.

<b>BANJO CORPORATION</b>	
150 BANJO DRIVE, CRAWFORDSVILLE, IN 47933	
WEB SITE: WWW.BANJOCORP.COM	
E-MAIL: SALES1@BANJOCORP.COM	
DESCRIPTION	1" Filled Valve w/ 90° Inlet
PART NUMBER	V102FV

8 7 6 5 4 3 2 1