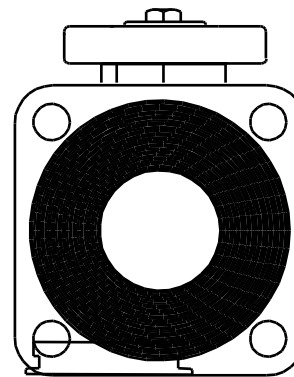
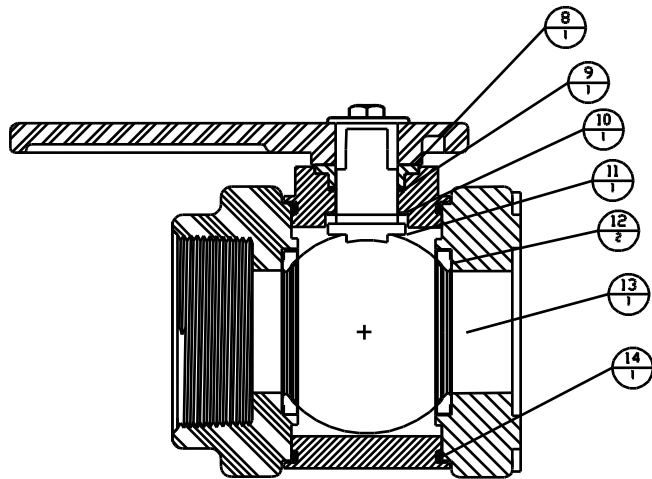


3/8-16X 5" BOLT  
1-3/4" THREAD LENGTH  
REQUIRED



Item Qty.	Part Number	Description
1 1	V20257	1 1/2" ENDPLATE
2 1	V20153SH	2" HANDLE
3 1	V20254	2" VALVE BODY
4 1	V20021	HANDLE WASHER
5 1	V20020	HANDLE BOLT
6 1	V20167KR	2" FLANGE STYLE E.P.
7 4	V30018	BODY BOLT
8 1	V20159	UPPER STEM BUSHING
9 1	V20163	STEM O-RING
10 1	V20060	THRUST BEARING
11 1	V20151	STEM
12 2	V20258A	SEAT
13 1	V20255A	VALVE BALL
14 1	V20264	BODY O-RING
15 4	V20019	BODY NUT
N/S 1	VL1000	PRESSURE LABEL

JUN 23, 1997

THIS DRAWING AND ALL INFORMATION  
CONTAINED THEREON ARE THE EXCLUSIVE  
PROPERTY OF BANJO CORPORATION.  
UNLESS SPECIFICALLY NOTED, THIS  
DRAWING AND ITEMS SHOWN ON THIS  
DRAWING ARE SUBJECT TO CHANGE  
AT ANY TIME.

**BANJO**  
LIQUID HANDLING PRODUCTS

BANJO CORPORATION  
150 BANJO DR. • CRAWFORDSVILLE, IN 47933

PART NO. **V150KR**

TITLE  
**1 1/2" VALVE ASSEMBLY**