

2



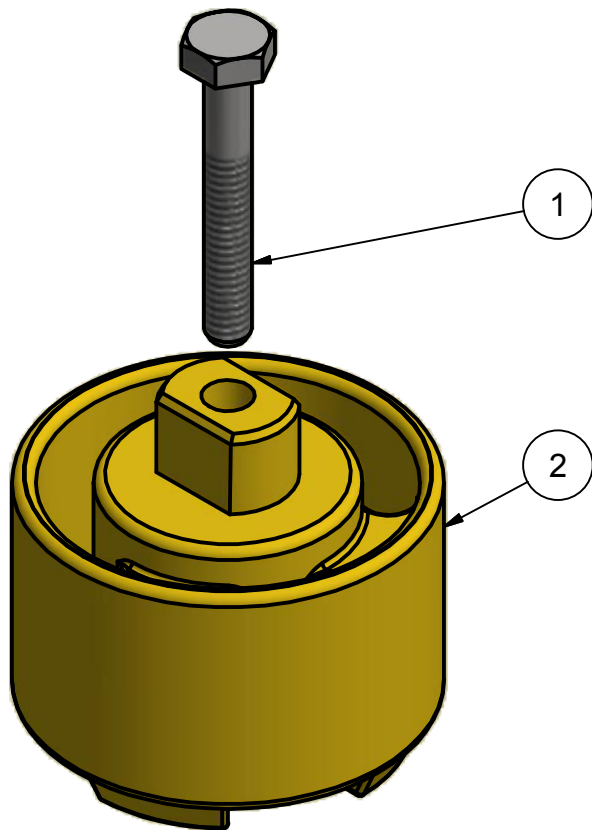
1

Parts List

ITEM	QTY	PART NUMBER	DESCRIPTION
1	1	V20020175	1/4" - 20 X 1.75" SS HHCS
2	1	V20153138BLX	2" Valve Handle Offset by 1 3/8" for BL

B

B



A

A



THIS DRAWING AND ALL INFORMATION CONTAINED THEREON ARE THE EXCLUSIVE PROPERTY OF BANJO CORPORATION.

BANJO CORPORATION
 150 BANJO DRIVE, CRAWFORDSVILLE, IN 47933
 WEB SITE: WWW.BANJOCORP.COM
 E-MAIL: BANJOSALES@IDEXCORP.COM

UNLESS SPECIFICALLY NOTED, THIS DRAWING AND ITEMS SHOWN ON THIS DRAWING ARE SUBJECT TO CHANGE AT ANY TIME.

DESCRIPTION
 1 3/8" BL Handle Offset W/ Screw

PART NUMBER
 V20153138BL

2



1