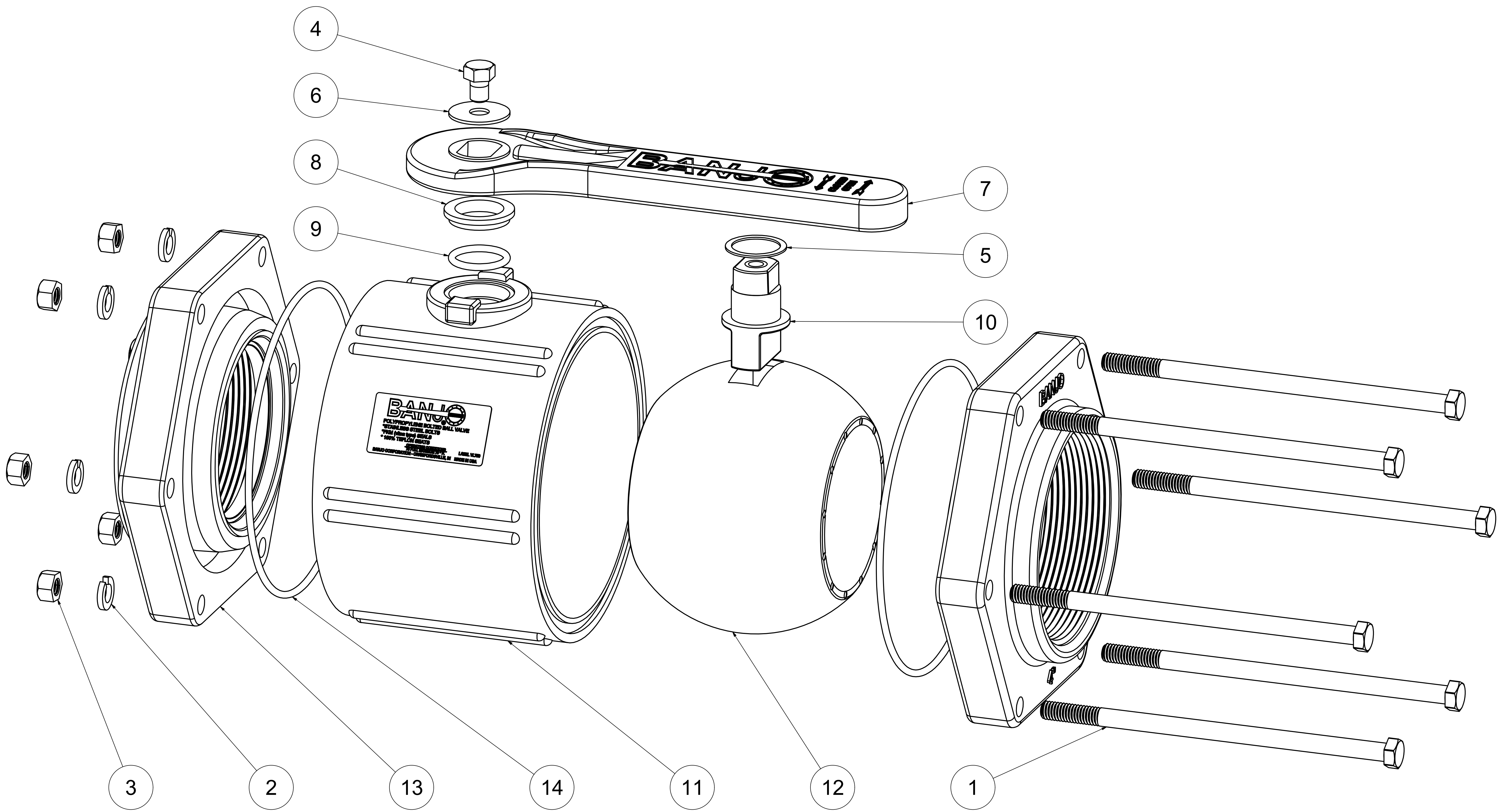


Parts List			
ITEM	QTY	PART NUMBER	DESCRIPTION
1	6	V40017	4" Valve Body 3/8" Bolt
2	6	V20018	3/8" LOCKWASHER
3	6	V20019	3/8" HEX NUT
4	1	V25020	3/8" Handle Bolt
5	1	V25060	VALVE STEM THRUST BEARING
6	1	V25121	3/8" Fender Washer
7	1	V25153	2" FP Handle
8	1	V25160	Stem Bushing
9	1	V25163	#214 FKM O'RING
10	1	V30151	STEM 3" FP, 4"
11	1	V40254	4" Valve Body
12	1	V40255	4" Ball
13	2	V40264	4" Endplate
14	2	V40265	Body O-ring for V400



THIS DRAWING AND ALL INFORMATION CONTAINED THEREON ARE THE EXCLUSIVE PROPERTY OF BANJO CORPORATION.

UNLESS SPECIFICALLY NOTED, THIS DRAWING AND ITEMS SHOWN ON THIS DRAWING ARE SUBJECT TO CHANGE AT ANY TIME.

BANJO CORPORATION 150 BANJO DRIVE, CRAWFORDSVILLE, IN 47933 WEB SITE: WWW.BANJOCORP.COM E-MAIL: SALES1@BANJOCORP.COM	
DESCRIPTION	4" Ball Valve
PART NUMBER	V400