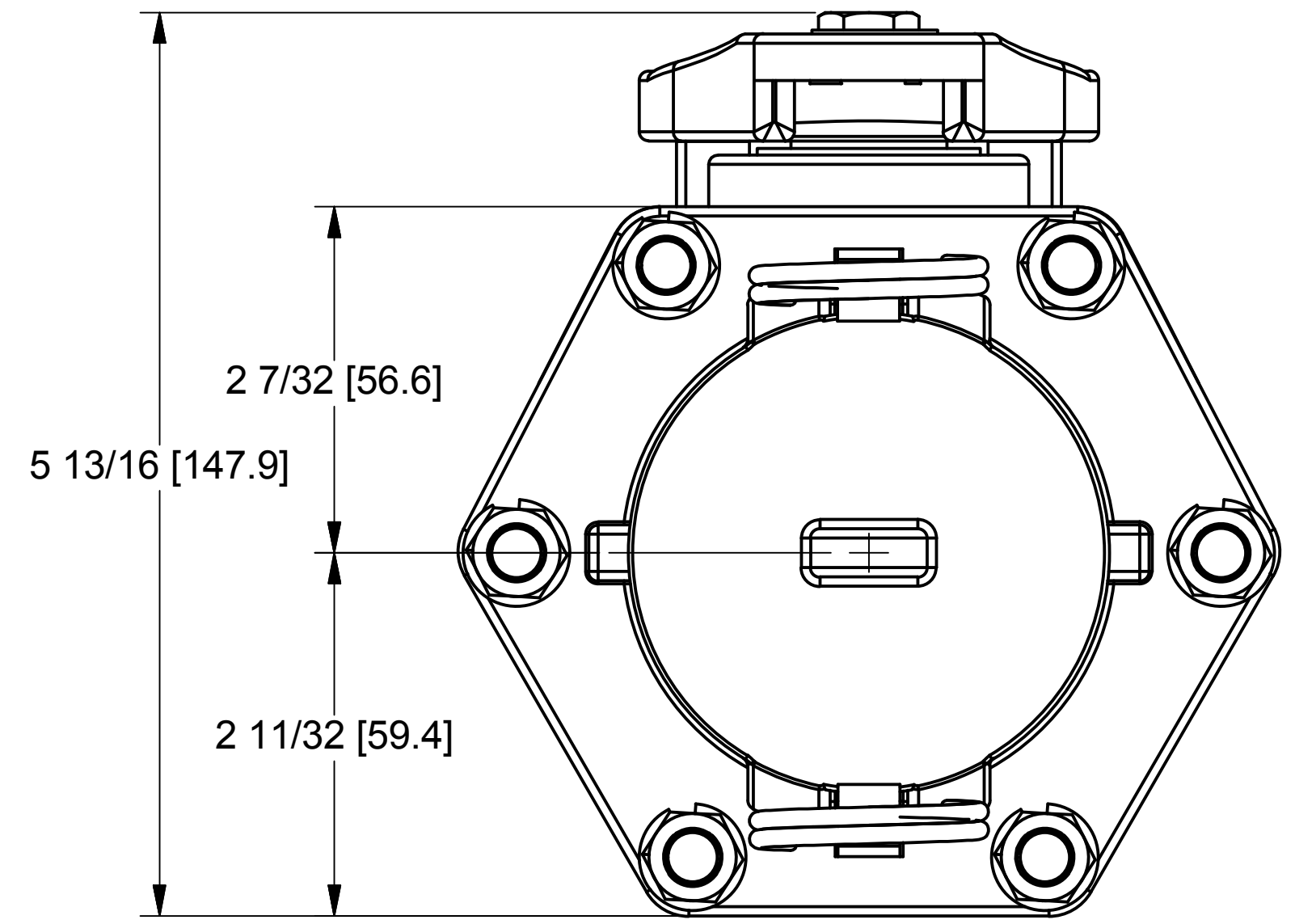
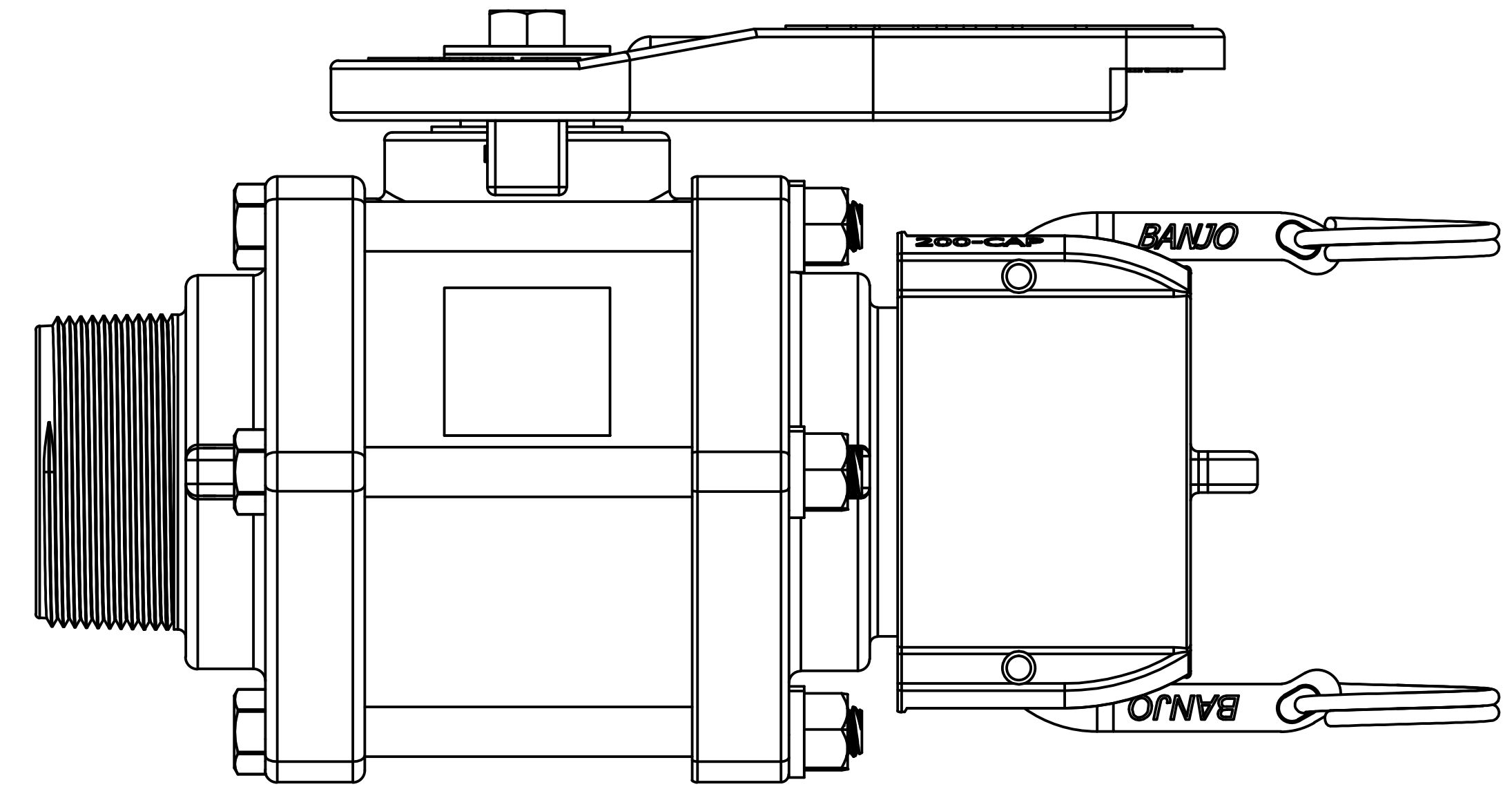
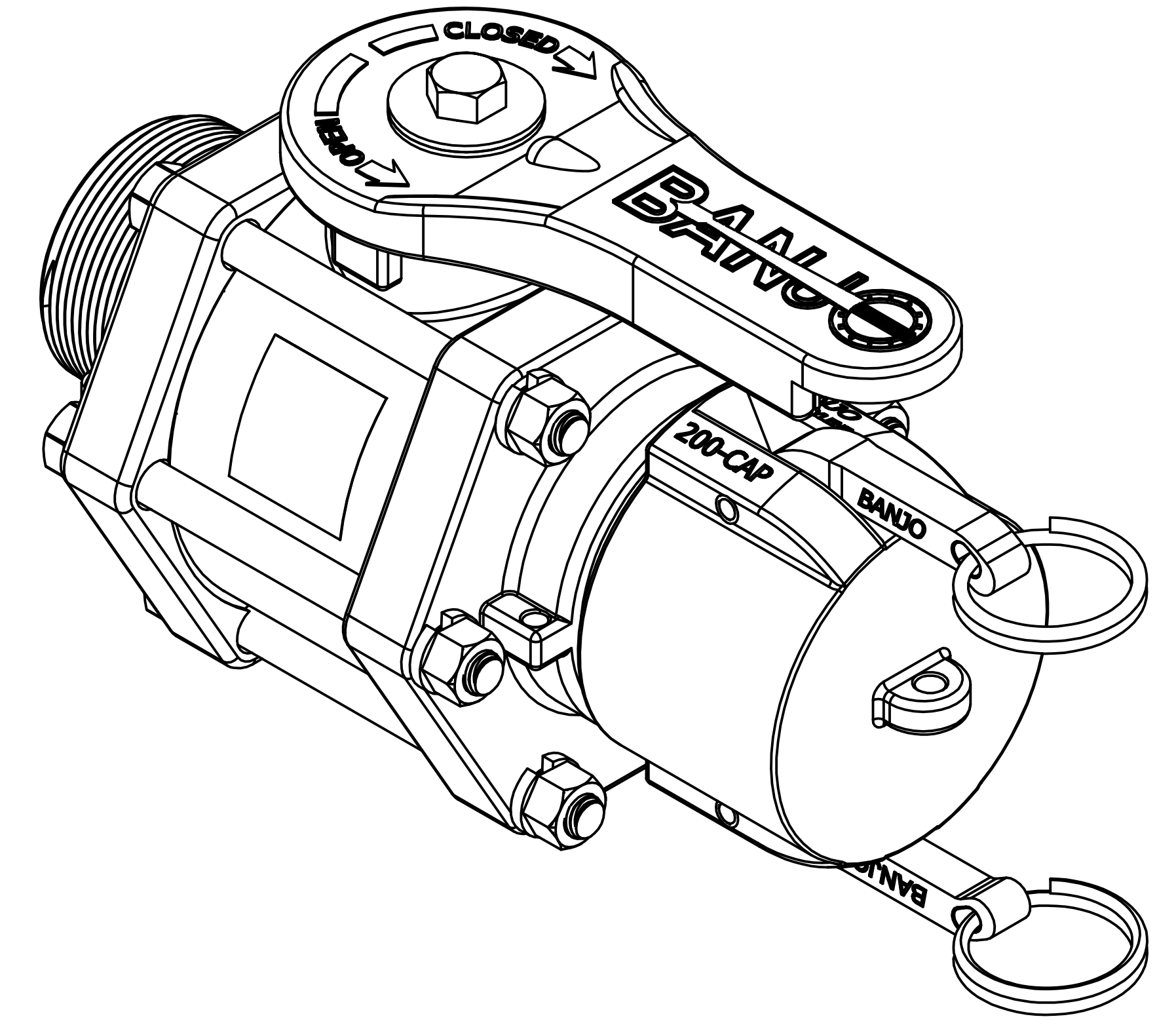
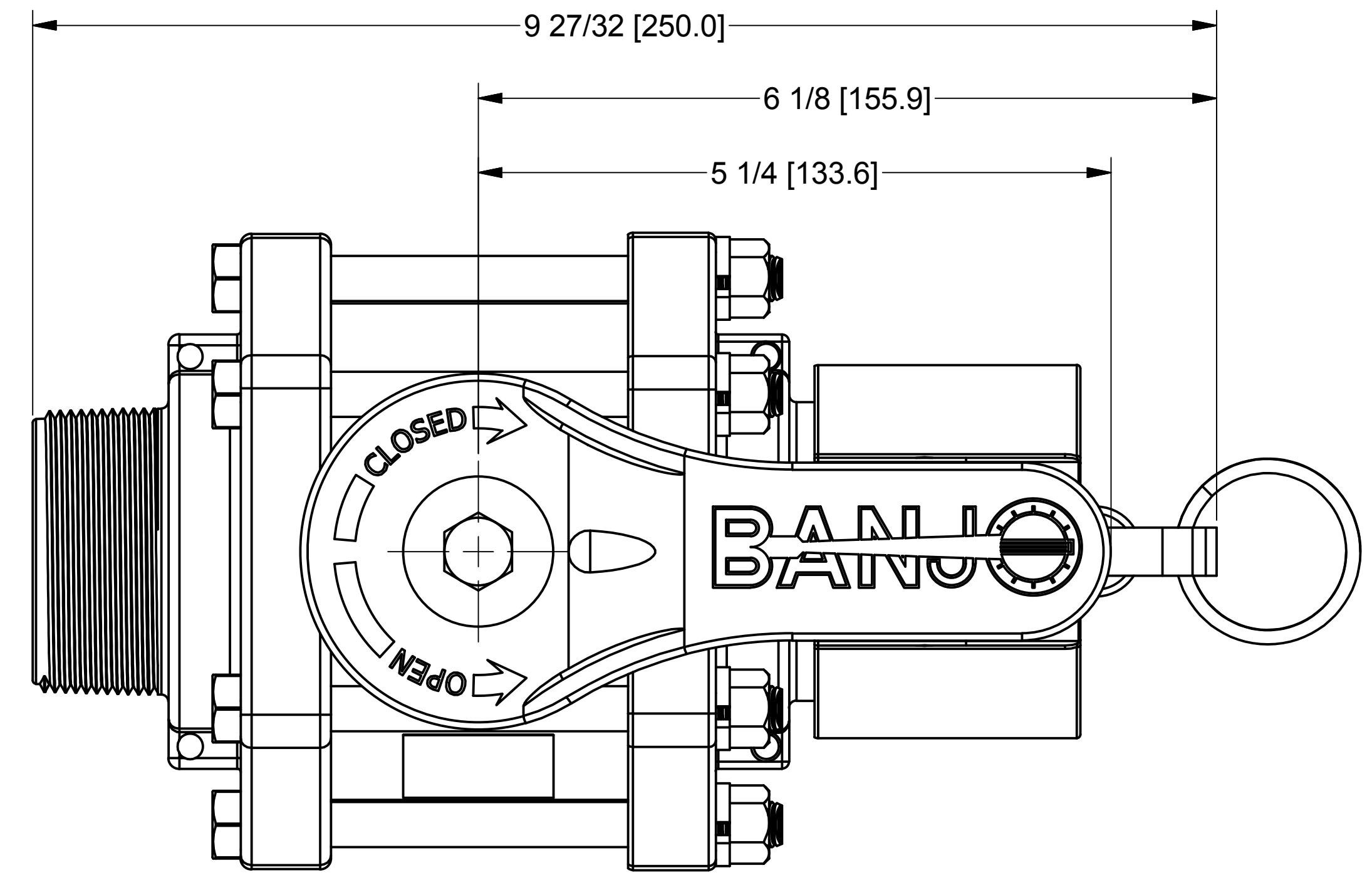


Parts List			
ITEM	QTY	PART NUMBER	DESCRIPTION
1	1	VFMT200FPSH	2" FP Male Adapter X 2" MNPT Valve, Short Handle
2	1	200CAP	2" CAP



THIS DRAWING AND ALL INFORMATION CONTAINED THEREON ARE THE EXCLUSIVE PROPERTY OF BANJO CORPORATION.

UNLESS SPECIFICALLY NOTED, THIS DRAWING AND ITEMS SHOWN ON THIS DRAWING ARE SUBJECT TO CHANGE AT ANY TIME.



**BANJO CORPORATION**  
 150 BANJO DRIVE, CRAWFORDSVILLE, IN 47933  
 WEB SITE: WWW.BANJOCORP.COM  
 E-MAIL: SALES1@BANJOCORP.COM

DESCRIPTION  
 VFMT200FPSH W/ Cap

PART NUMBER  
 VFMT200FPSHA