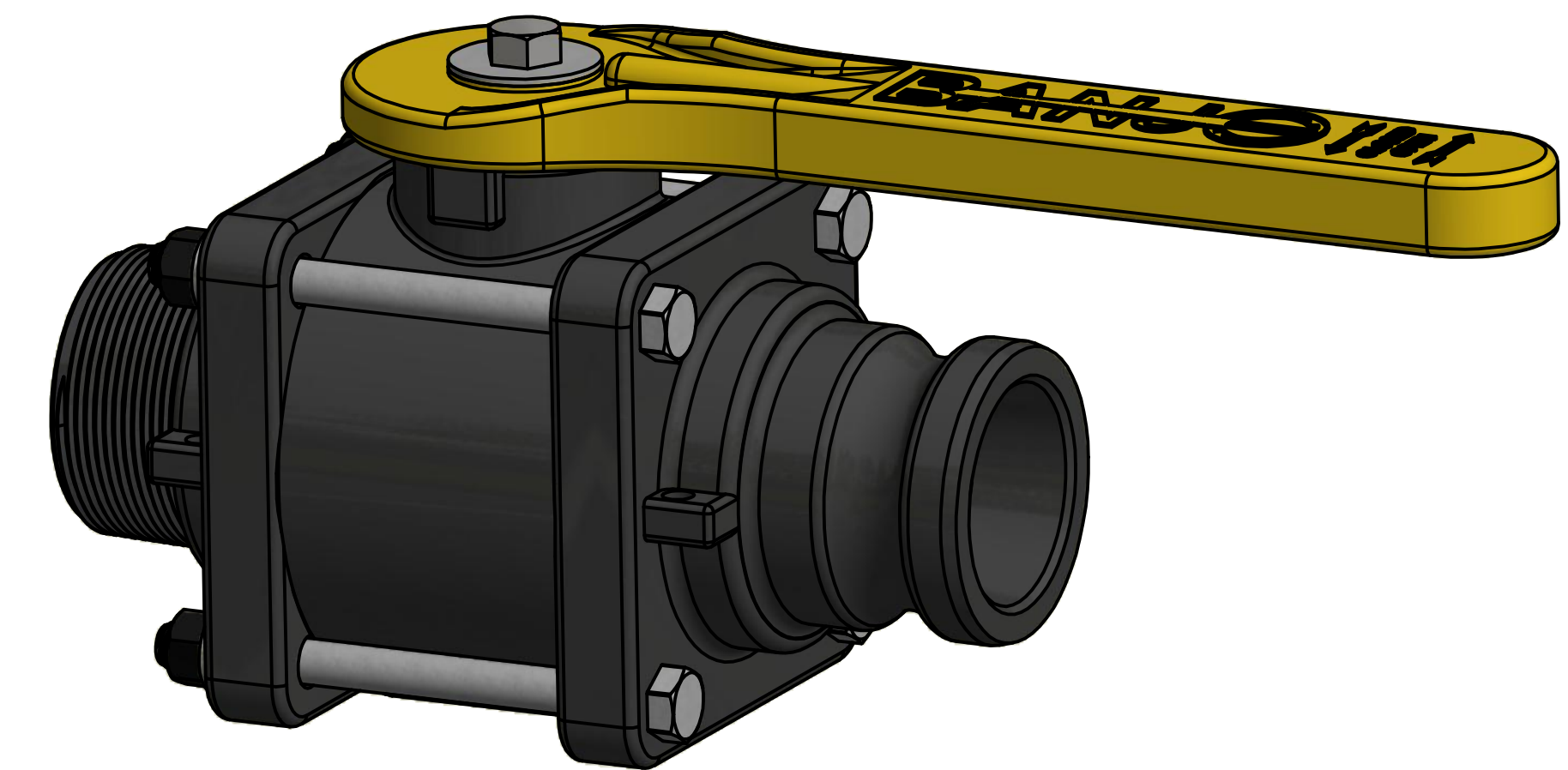
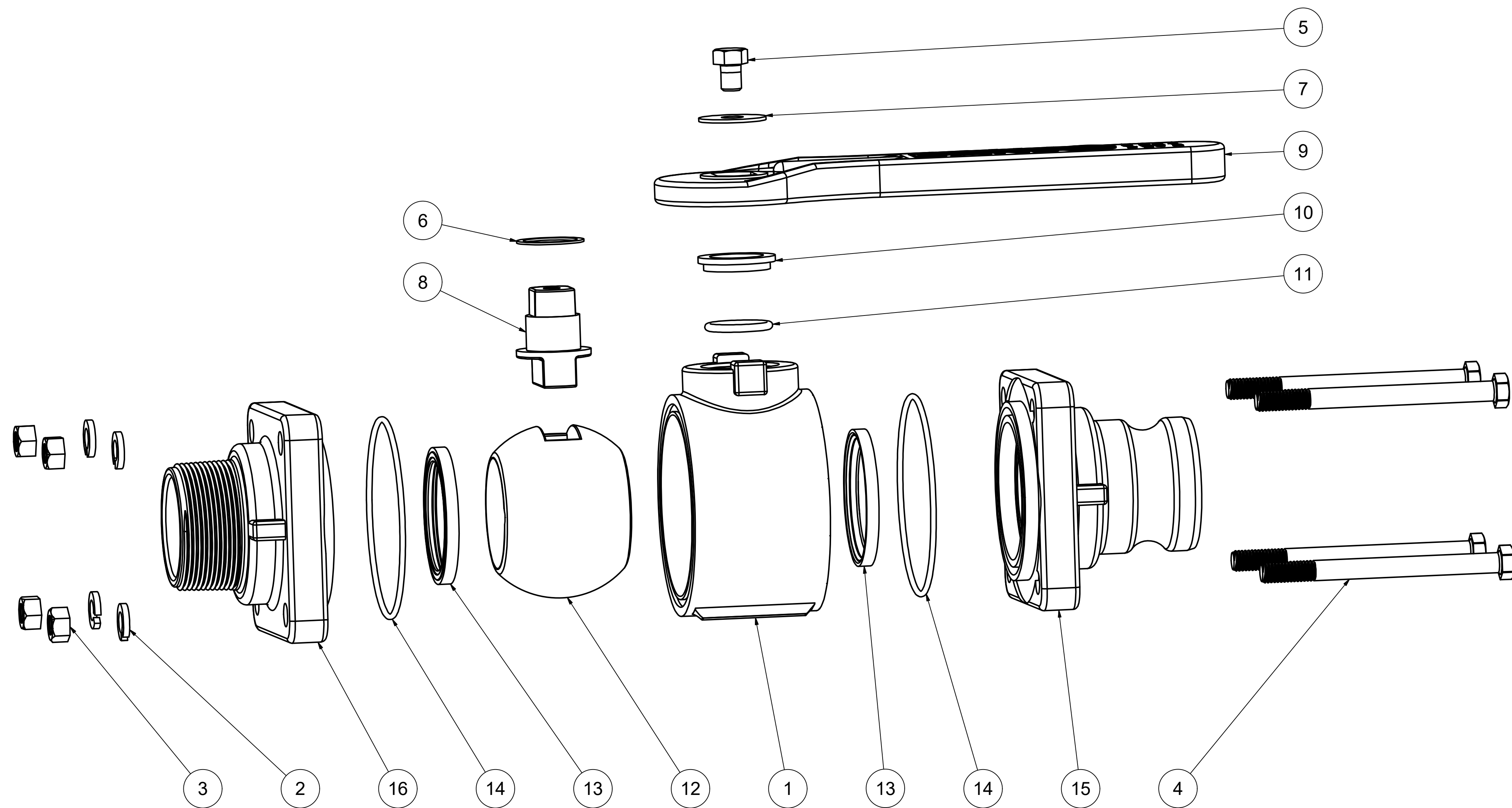


Parts List			
ITEM	QTY	PART NUMBER	DESCRIPTION
1	1	V25254	2" FP VALVE BODY
2	4	V20018	3/8" LOCKWASHER
3	4	V20019	3/8" HEX NUT
4	4	V25017	3/8-16 X 4 1/2" HHCS
5	1	V25020	3/8" Handle Bolt
6	1	V25060	VALVE STEM THRUST BEARING
7	1	V25121	3/8" Fender Washer
8	1	V25151B	2" FP Stem
9	1	V25153	2" FP Handle
10	1	V25160	Stem Bushing
11	1	V25163	#214 FKM O'RING
12	1	V25255A	2" FP Valve Ball
13	2	V25258A	3" FP Ball Seat
14	2	V25264	CUSTOM BODY O-RING
15	1	VF25356	2" FP "F" END PLATE
16	1	VMT25356	2" NPT END PLATE



BANJO CORPORATION
 150 BANJO DRIVE, CRAWFORDSVILLE, IN 47933
 WEB SITE: WWW.BANJOCORP.COM
 E-MAIL: SALES1@BANJOCORP.COM

THIS DRAWING AND ALL INFORMATION CONTAINED THEREON ARE THE EXCLUSIVE PROPERTY OF BANJO CORPORATION.
 UNLESS SPECIFICALLY NOTED, THIS DRAWING AND ITEMS SHOWN ON THIS DRAWING ARE SUBJECT TO CHANGE AT ANY TIME.

DESCRIPTION
2" FP NPT X 2" MALE ADAPTER VALVE
 PART NUMBER
VFMT204FP