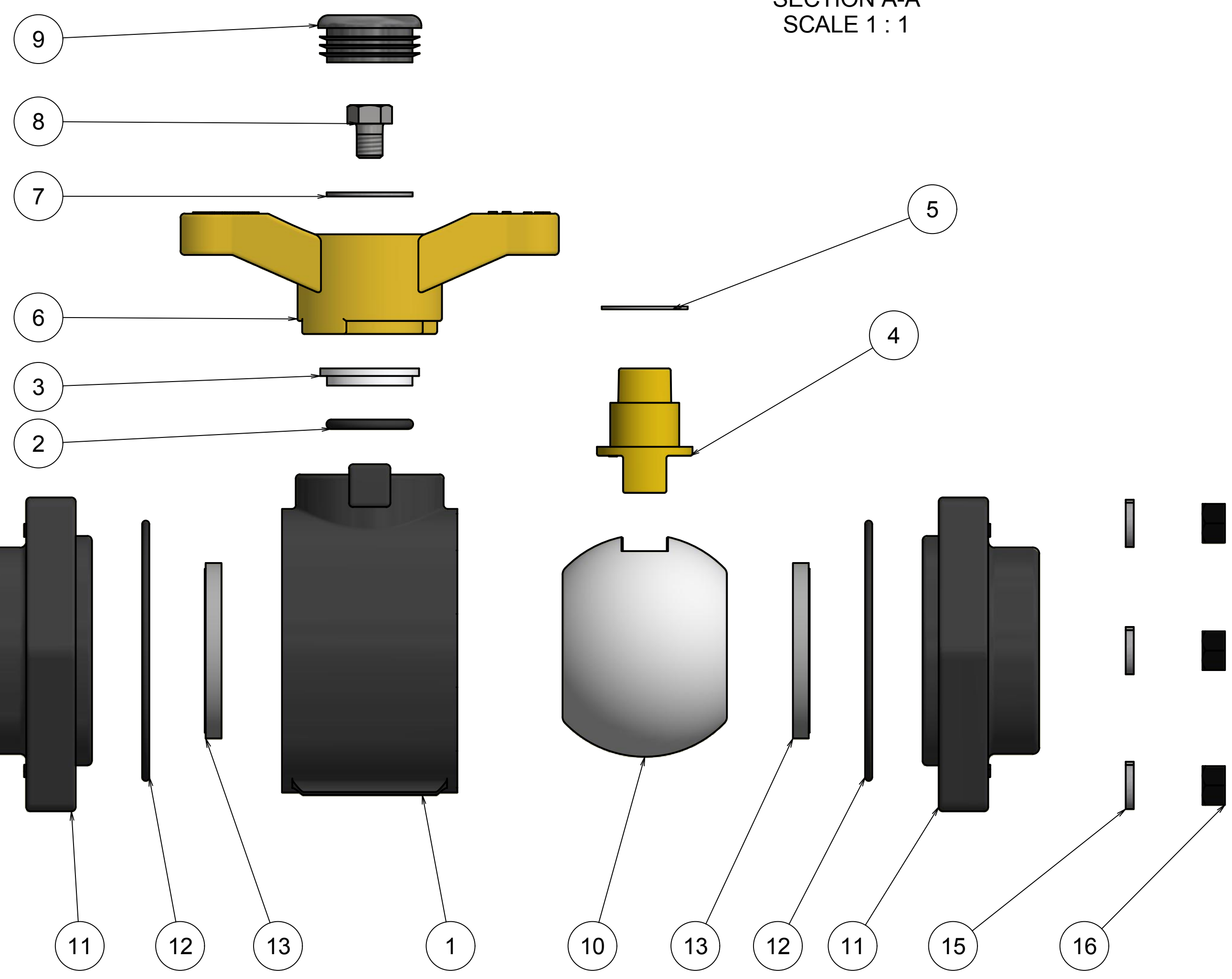


Parts List			
ITEM	QTY	PART NUMBER	DESCRIPTION
1	1	V25254	2" FP VALVE BODY
2	1	V25163	#214 FKM O'RING
3	1	V25160	Stem Bushing
4	1	V25151B	2" FP Stem
5	1	V25060	VALVE STEM THRUST BEARING
6	1	V25353T	2" FP SL T-HANDLE
7	1	V25121	3/8" Fender Washer
8	1	V25020	3/8" Handle Bolt
9	1	V25353C	CAPLUG FOR 2" FP BL & SL
10	1	V25255AT	2" FP Valve Ball Machined
11	2	V25256	2" Full Port Endplate
12	2	V25264	CUSTOM BODY O-RING
13	2	V25258A	3" FP Ball Seat
14	6	V25017	3/8-16 X 4 1/2" HHCS
15	6	V20018	3/8" LOCKWASHER
16	6	V20019	3/8" HEX NUT



THIS DRAWING AND ALL INFORMATION CONTAINED THEREON ARE THE EXCLUSIVE PROPERTY OF BANJO CORPORATION.

UNLESS SPECIFICALLY NOTED, THIS DRAWING AND ITEMS SHOWN ON THIS DRAWING ARE SUBJECT TO CHANGE AT ANY TIME.

BANJO CORPORATION  
 150 BANJO DRIVE, CRAWFORDSVILLE, IN 47933  
 WEB SITE: WWW.BANJO.CORP.COM  
 E-MAIL: BANJOSALES@IDEXCORP.COM

DESCRIPTION  
**2" FULL PORT VALVE ASSEMBLY**

PART NUMBER  
**VT200FP**