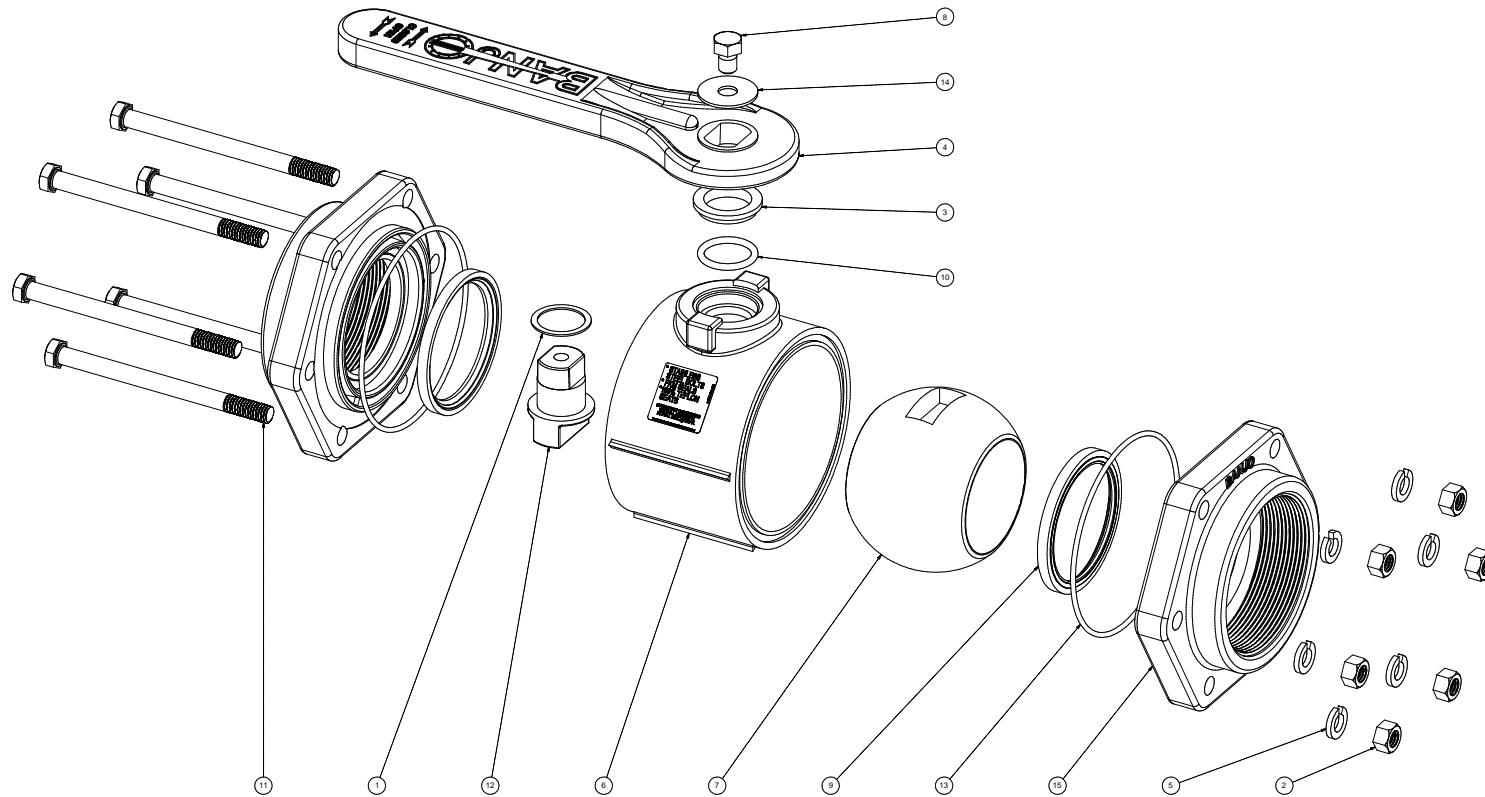


SECTION C-C  
SCALE 1:1

Parts List			
ITEM	QTY	PART NUMBER	DESCRIPTION
1	1	V25060	VALVE STEM THRUST BEARING
2	6	V20019	3/8" HEX NUT
3	1	V25160	Stem Bushing
4	1	V25153	2" FP Handle
5	6	V20018	3/8" LOCKWASHER
6	1	V30254	3" Std Port Valve Body
7	1	V30255	3" Ball - Tumbled
8	1	V25020	3/8" Handle Bolt
9	2	V30258A	3" FP Ball Seat
10	1	V25163	#214 FKM O'RING
11	6	V30017	3/8" - 16 X 5" SS Body Bolt
12	1	V25151B	2" FP Stem
13	2	V30265	#156 FKM O'RING
14	1	V25121	3/8" Fender Washer
15	2	V30264B	3" Standard Port BSP Endplate



**BANJO CORPORATION**  
 150 BANJO DRIVE, CRAWFORDSVILLE, IN 47933  
 WEB SITE: WWW.BANJOCORP.COM  
 E-MAIL: SALES1@BANJOCORP.COM

THIS DRAWING AND ALL INFORMATION CONTAINED THEREON ARE THE EXCLUSIVE PROPERTY OF BANJO CORPORATION.  
 UNLESS SPECIFICALLY NOTED, THIS DRAWING AND ITEMS SHOWN ON THIS DRAWING ARE SUBJECT TO CHANGE AT ANY TIME.

DESCRIPTION: 3" Ball Valve, BSPT  
 PART NUMBER: V300B