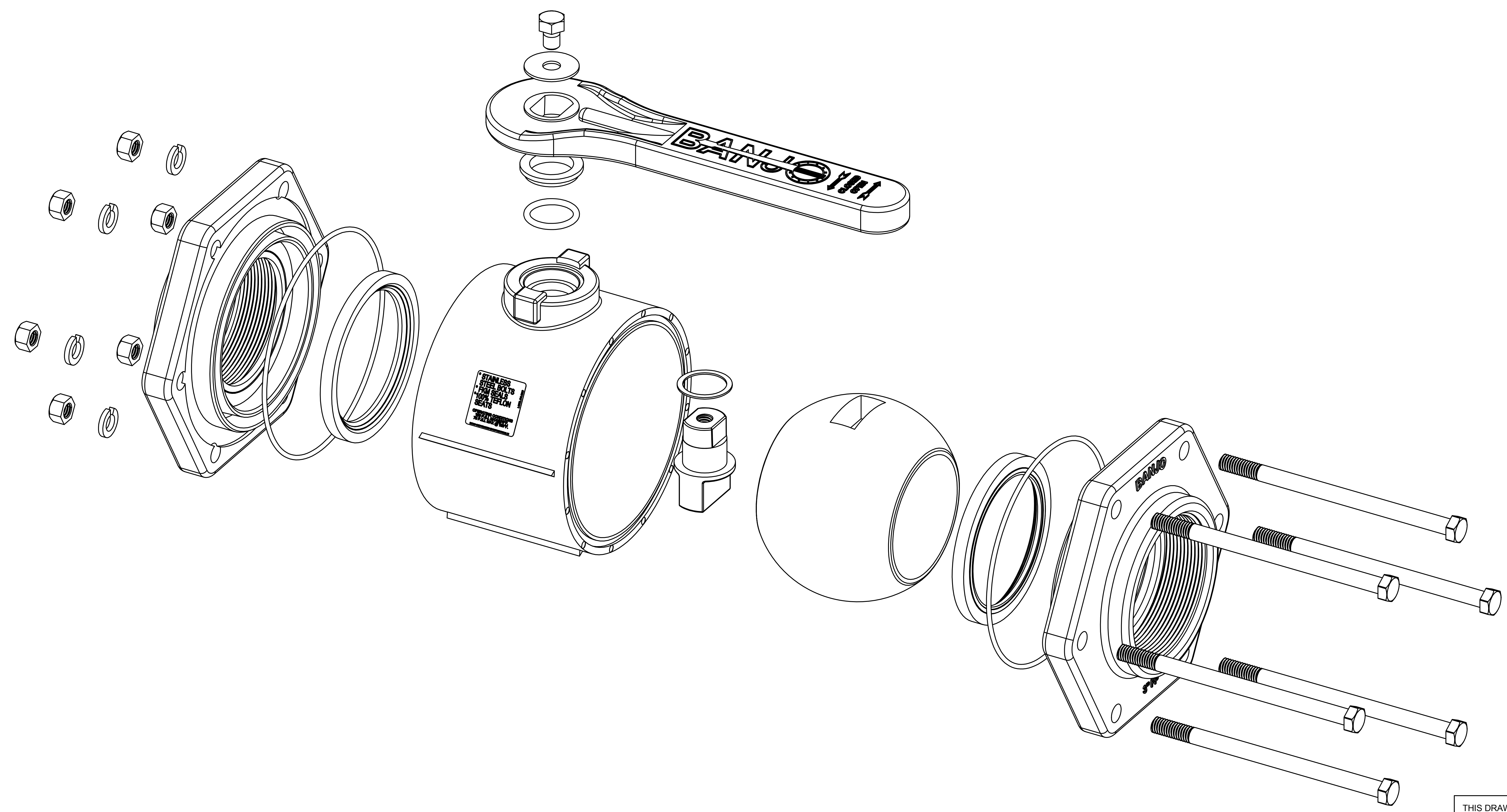


Parts List			
ITEM	QTY	PART NUMBER	DESCRIPTION
1	2	V35264B	3" FP End Plate BSP
2	6	V20018	3/8" LOCKWASHER
3	2	V35265	3" FP body O-ring FKM
4	1	V25163	#214 FKM O'RING
5	1	V25020	3/8" Handle Bolt
6	1	V25060	VALVE STEM THRUST BEARING
7	1	V30151	STEM 3" FP, 4"
8	6	V35017	3/8"-16 x 6" HHCS, 18-8SS
9	1	V25153	2" FP Handle
10	1	V25160	Stem Bushing
11	2	V35258A	3" FP Ball Seat
12	6	V20019	3/8" HEX NUT
13	1	V35255A	3" Full Port Ball
14	1	V25121	3/8" Fender Washer
15	1	V35254	3" FP VALVE BODY



THIS DRAWING AND ALL INFORMATION CONTAINED THEREON ARE THE EXCLUSIVE PROPERTY OF BANJO CORPORATION.
UNLESS SPECIFICALLY NOTED, THIS DRAWING AND ITEMS SHOWN ON THIS DRAWING ARE SUBJECT TO CHANGE AT ANY TIME.

BANJO CORPORATION 150 BANJO DRIVE, CRAWFORDSVILLE, IN 47933 WEB SITE: WWW.BANJOCORP.COM E-MAIL: SALES1@BANJOCORP.COM	
DESCRIPTION	3" Full Port Valve Assembly
PART NUMBER	V300FPB