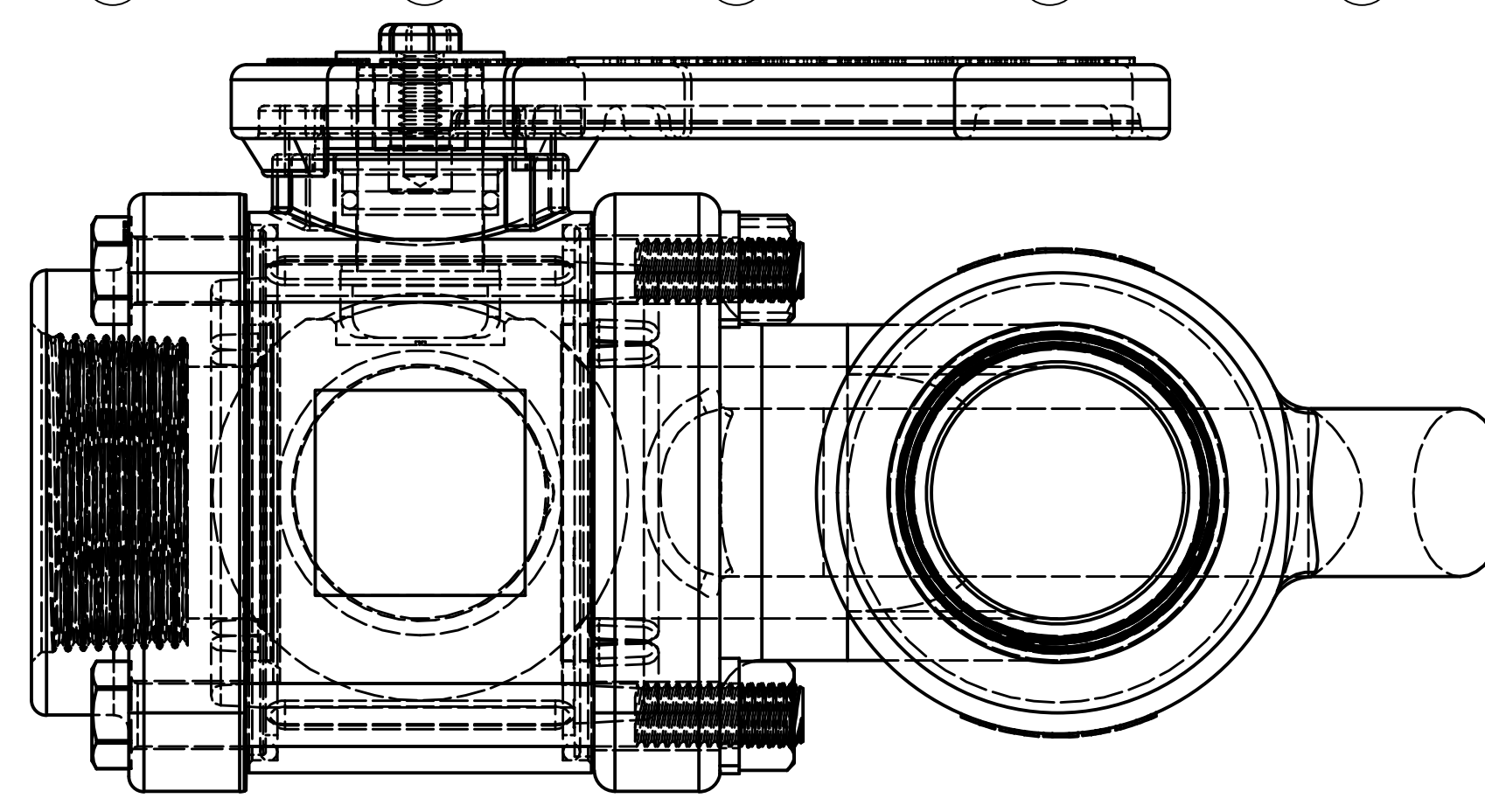
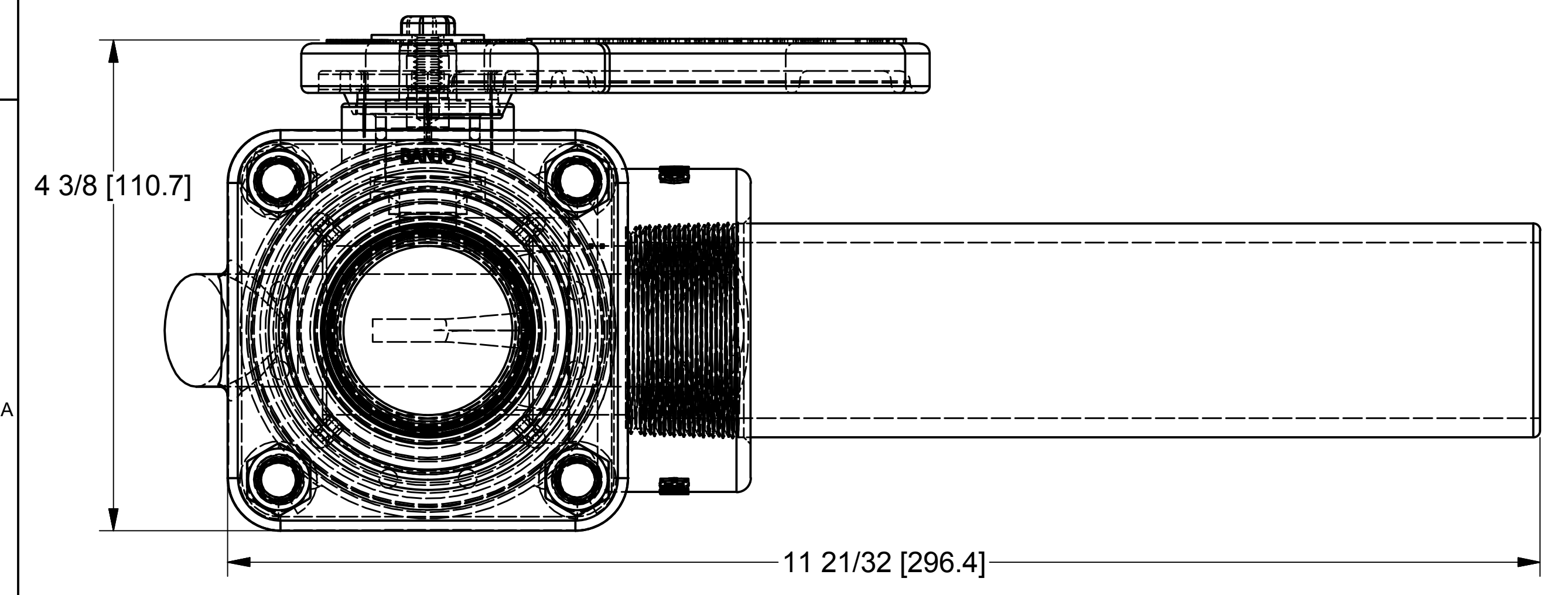
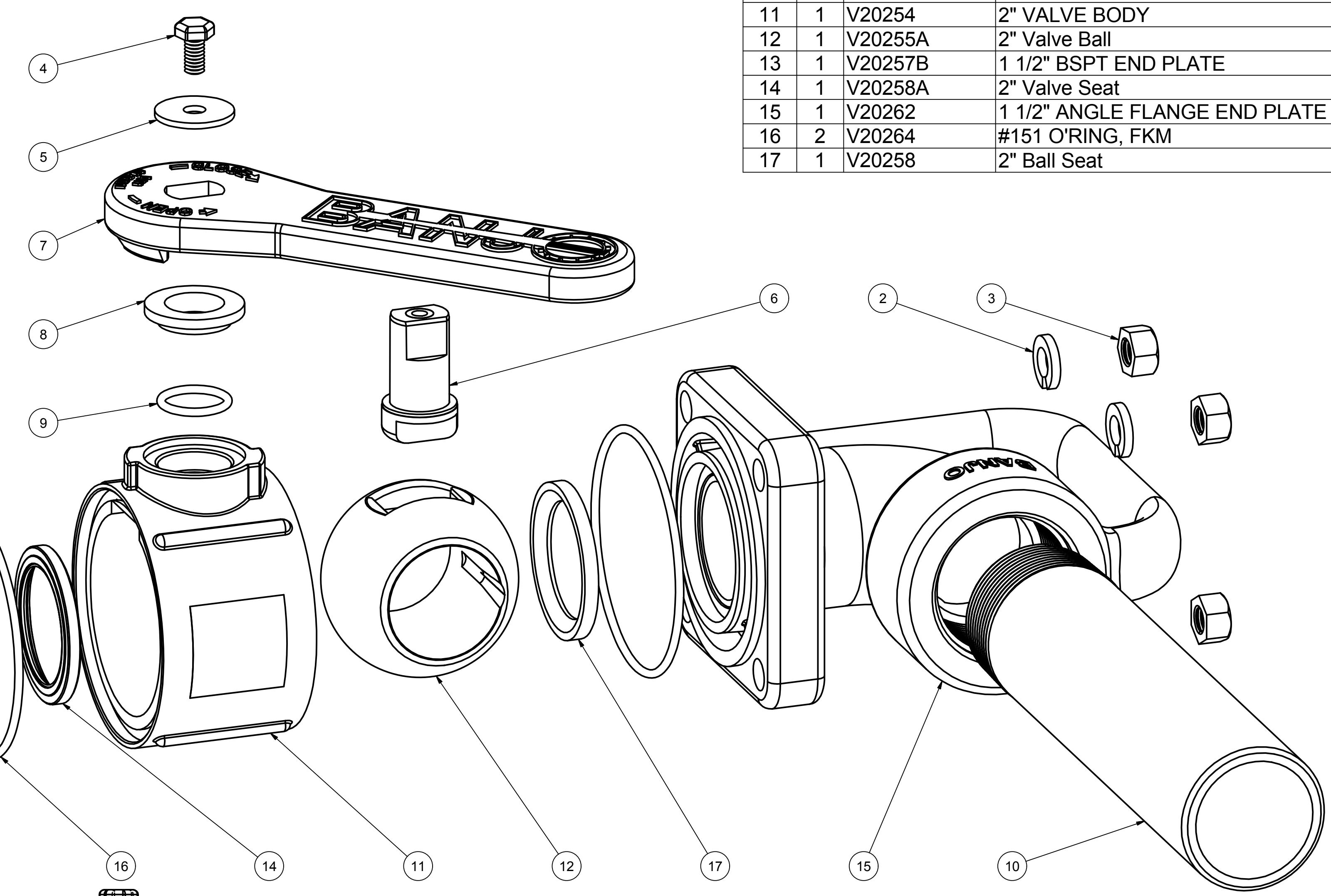


Parts List			
ITEM	QTY	PART NUMBER	DESCRIPTION
1	4	V20017	3/8-16 X 4" HHCS
2	4	V20018	3/8" LOCKWASHER
3	4	V20019	3/8" HEX NUT
4	1	V20020	2" handle Bolt
5	1	V20021	Handle Washer
6	1	V20151M	VALVE STEM W/ BEARING
7	1	V20152	ANGLE HANDLE
8	1	V20159	2" STEM BUSHING
9	1	V20163	#116 O'RING, FKM
10	1	V20166	1 1/2" NPT X 8" NOZZLE PIPE
11	1	V20254	2" VALVE BODY
12	1	V20255A	2" Valve Ball
13	1	V20257B	1 1/2" BSPT END PLATE
14	1	V20258A	2" Valve Seat
15	1	V20262	1 1/2" ANGLE FLANGE END PLATE
16	2	V20264	#151 O'RING, FKM
17	1	V20258	2" Ball Seat



THIS DRAWING AND ALL INFORMATION CONTAINED THEREON ARE THE EXCLUSIVE PROPERTY OF BANJO CORPORATION.

UNLESS SPECIFICALLY NOTED, THIS DRAWING AND ITEMS SHOWN ON THIS DRAWING ARE SUBJECT TO CHANGE AT ANY TIME.



BANJO CORPORATION
 150 BANJO DRIVE, CRAWFORDSVILLE, IN 47933
 WEB SITE: WWW.BANJOCORP.COM
 E-MAIL: SALES1@BANJOCORP.COM

DESCRIPTION
 1 1/2" ANGLE VALVE, BSP

PART NUMBER
 VA150B