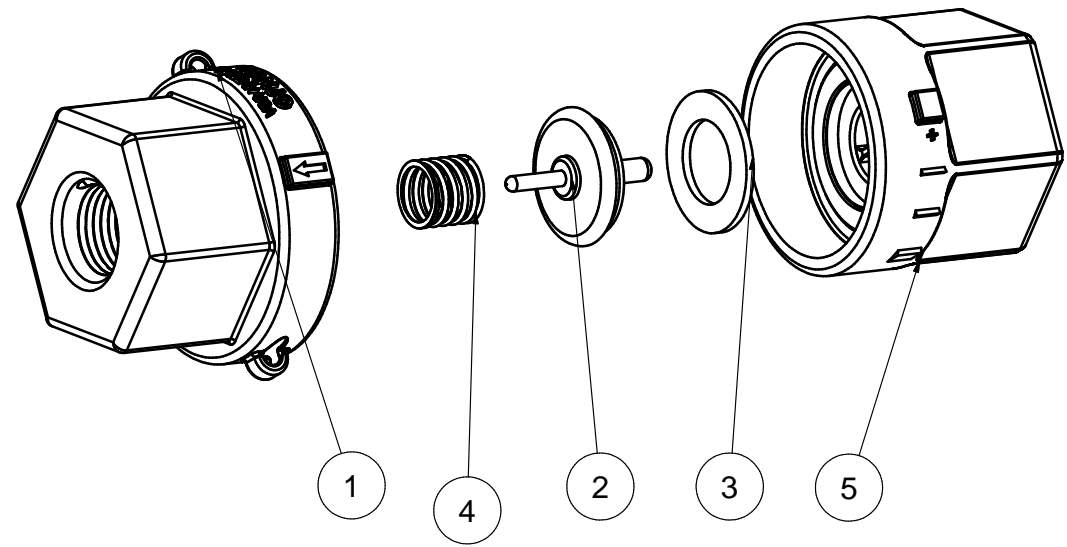


Parts List				
ITEM	QTY	PART NUMBER	DESCRIPTION	
1	1	CV05256	1/2" NPT CHECKVALVE MALE HALF	
2	1	CV10155	1" CHECKVALVE POPPET	
3	1	CV10175	GASKET	
4	1	CV105	5# SPRING	
5	1	CV05254	1/2" NPT CHECKVALVE FEMALE HALF	



THIS DRAWING AND ALL INFORMATION CONTAINED THEREON ARE THE EXCLUSIVE PROPERTY OF BANJO CORPORATION.

UNLESS SPECIFICALLY NOTED, THIS DRAWING AND ITEMS SHOWN ON THIS DRAWING ARE SUBJECT TO CHANGE AT ANY TIME.

BANJO CORPORATION

BANJO CORPORATION
 150 BANJO DRIVE, CRAWFORDSVILLE, IN 47933
 WEB SITE: WWW.BANJOCORP.COM
 E-MAIL: SALES1@BANJOCORP.COM

DESCRIPTION
1" NPT CHECKVALVE ASSEMBLY

PART NUMBER
CV050