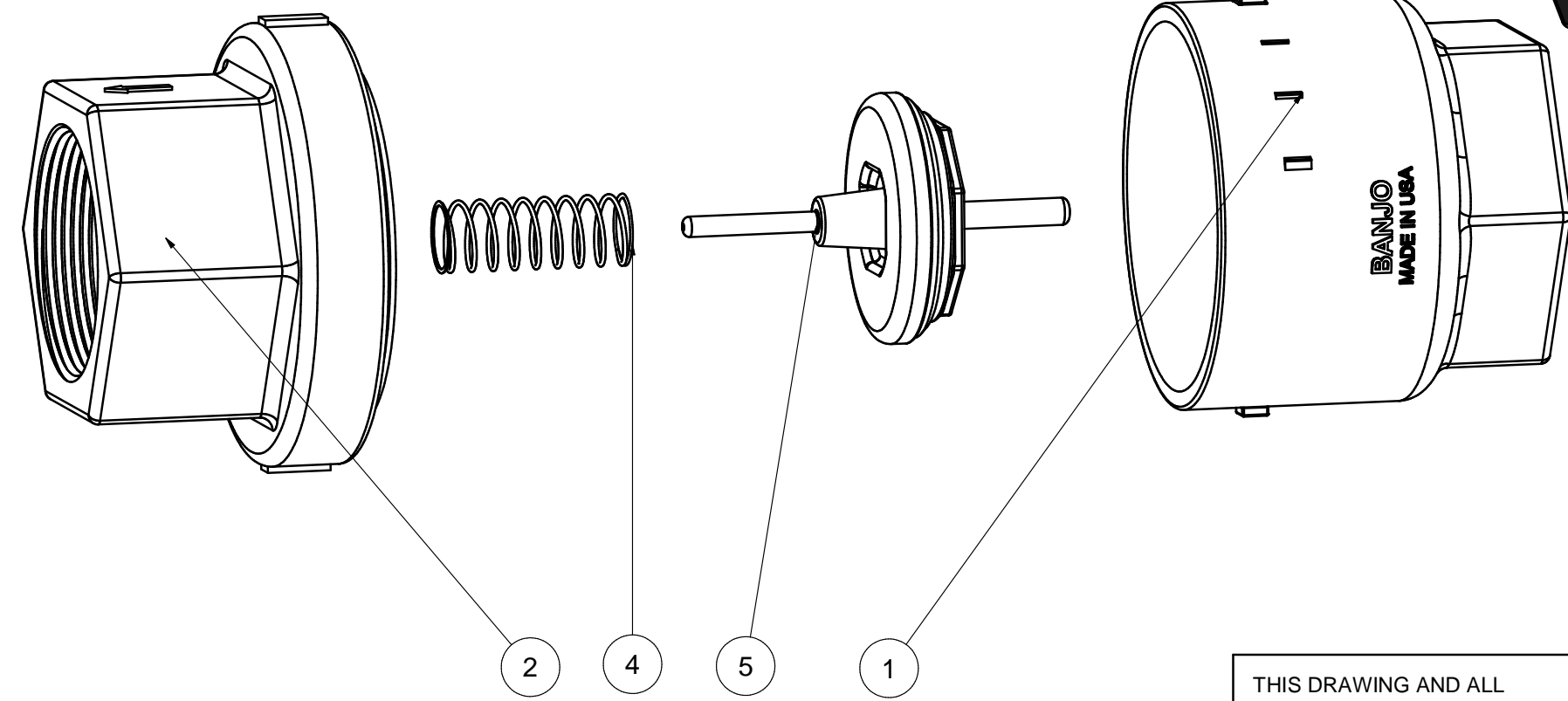


Parts List			
ITEM	QTY	PART NUMBER	DESCRIPTION
1	1	CV25354	2" FP FEMALE HALF E/P
2	1	CV25356	2" FP MALE HALF E/P
3	1	CV10005	PSI DECAL (N/S)
4	1	CV21505	CV 1/2 PSI SPRING
5	1	CV25355A	2" FP POPPET ASSEMBLY



THIS DRAWING AND ALL INFORMATION CONTAINED THEREON ARE THE EXCLUSIVE PROPERTY OF BANJO CORPORATION.

UNLESS SPECIFICALLY NOTED, THIS DRAWING AND ITEMS SHOWN ON THIS DRAWING ARE SUBJECT TO CHANGE AT ANY TIME.



BANJO CORPORATION

150 BANJO DRIVE, CRAWFORDSVILLE, IN 47933
 WEB SITE: WWW.BANJOCORP.COM
 E-MAIL: SALES1@BANJOCORP.COM

DESCRIPTION	2" FULL PORT NPT CHECKVALVE
PART NUMBER	CV221