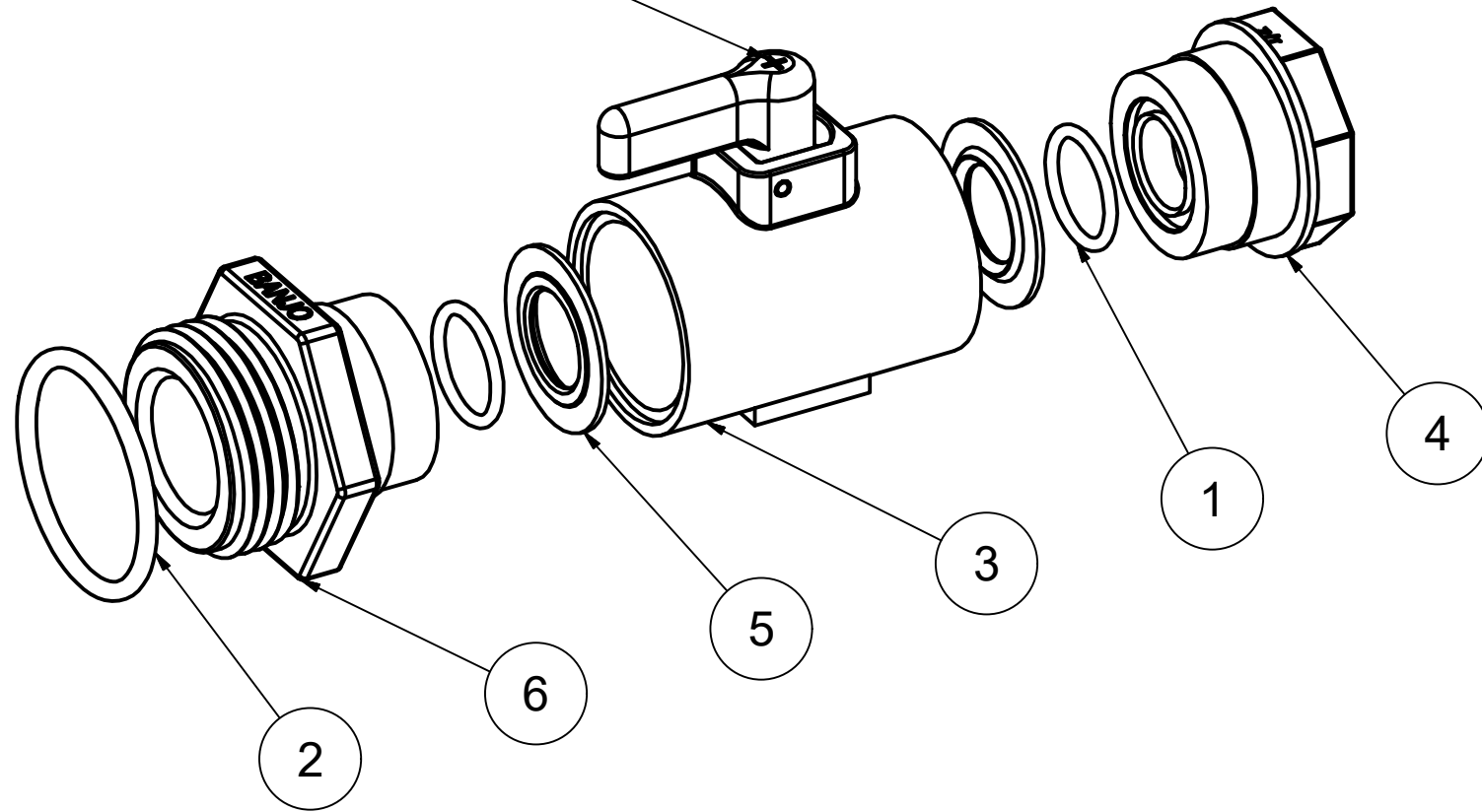


Parts List			
ITEM	QTY	PART NUMBER	DESCRIPTION
1	2	FP26041V	2-015 O-ring, FKM
2	1	LSQ200-RV	2-123 FKM O-RING
3	1	LV050SUBV	LV050 Sub-Assembly
4	1	LV05256A1	1/2" LV Weld EP w/ -015 o-ring groove
5	2	LV05258T1	1/2" MICRO-VALVE SEAT TFE
6	1	LVMT10556A	1" NPT ENDPLATE FOR TFM SEAT
7	1	CE050D	CE DECAL (N/S)
8	1	LST1300D	PSI DECAL (N/S)

"+" mark on handle to indicate TFE seats



THIS DRAWING AND ALL INFORMATION CONTAINED THEREON ARE THE EXCLUSIVE PROPERTY OF BANJO CORPORATION.

UNLESS SPECIFICALLY NOTED, THIS DRAWING AND ITEMS SHOWN ON THIS DRAWING ARE SUBJECT TO CHANGE AT ANY TIME.



BANJO CORPORATION
 150 BANJO DRIVE, CRAWFORDSVILLE, IN 47933
 WEB SITE: WWW.BANJOCORP.COM
 E-MAIL: SALES1@BANJOCORP.COM

DESCRIPTION
 1/2" FNPT X 1" MNPT MICRO-VALVE
 PART NUMBER
 LV050100MTV