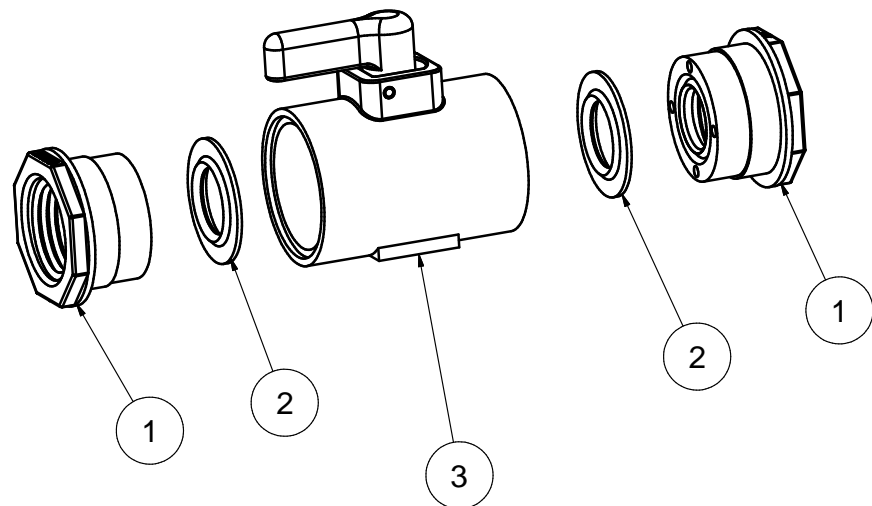


SECTION D-D
SCALE 1 : 1



Parts List			
ITEM	QTY	PART NUMBER	DESCRIPTION
1	2	LV05256	1/2" NPT ENDPLATE
2	2	LV05258V	1/2" MICRO-VALVE SEAT
3	1	LV050SUBV	LV050 Sub-Assembly
4	1	LST1300D	PSI DECAL (N/S)
5	1	CE050D	CE DECAL (N/S)



THIS DRAWING AND ALL INFORMATION CONTAINED THEREON ARE THE EXCLUSIVE PROPERTY OF BANJO CORPORATION.

UNLESS SPECIFICALLY NOTED, THIS DRAWING AND ITEMS SHOWN ON THIS DRAWING ARE SUBJECT TO CHANGE AT ANY TIME.

BANJO CORPORATION

BANJO CORPORATION
150 BANJO DRIVE, CRAWFORDSVILLE, IN 47933
WEB SITE: WWW.BANJOCORP.COM
E-MAIL: SALES1@BANJOCORP.COM

DESCRIPTION
1/2" FEMALE NPT MICROVALVE

PART NUMBER
LV050V