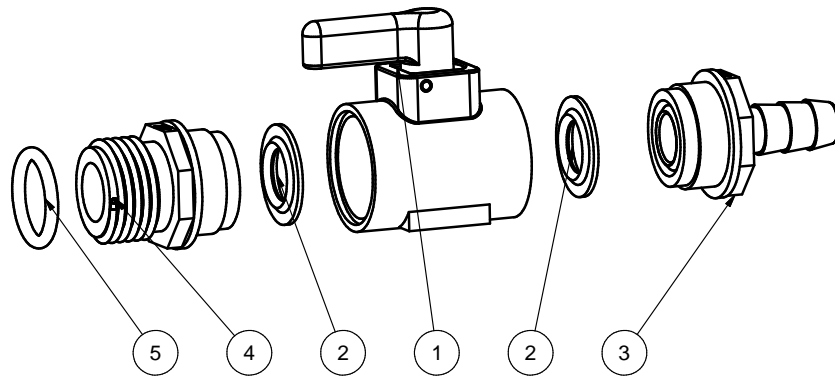
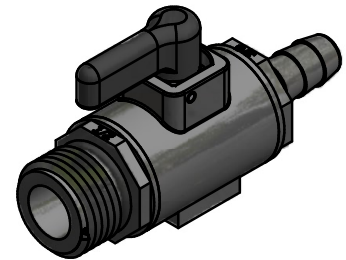


Parts List			
ITEM	QTY	PART NUMBER	DESCRIPTION
1	1	LV038SUBV	LV038 Body Sub-Assembly FKM
2	2	LV03258V	3/8" MICRO-VALVE SEAT
3	1	LVHB03256	3/8" HB ENDPLATE
4	1	LVMT03556	1/2" NPT SMALL BODY ENDPLATE
5	1	UV15163V	2-114 O'RING
6	1	LST1300D	PSI DECAL (N/S)
7	1	CE050D	CE DECAL (N/S)



THIS DRAWING AND ALL INFORMATION CONTAINED THEREON ARE THE EXCLUSIVE PROPERTY OF BANJO CORPORATION.

UNLESS SPECIFICALLY NOTED, THIS DRAWING AND ITEMS SHOWN ON THIS DRAWING ARE SUBJECT TO CHANGE AT ANY TIME.

BANJO CORPORATION

BANJO CORPORATION
 150 BANJO DRIVE, CRAWFORDSVILLE, IN 47933
 WEB SITE: WWW.BANJOCORP.COM
 E-MAIL: SALES1@BANJOCORP.COM

DESCRIPTION
 3/8" HOSE BARB X 1/2" MNPT
 MICROVALVE

PART NUMBER
 LVHB038050MTV