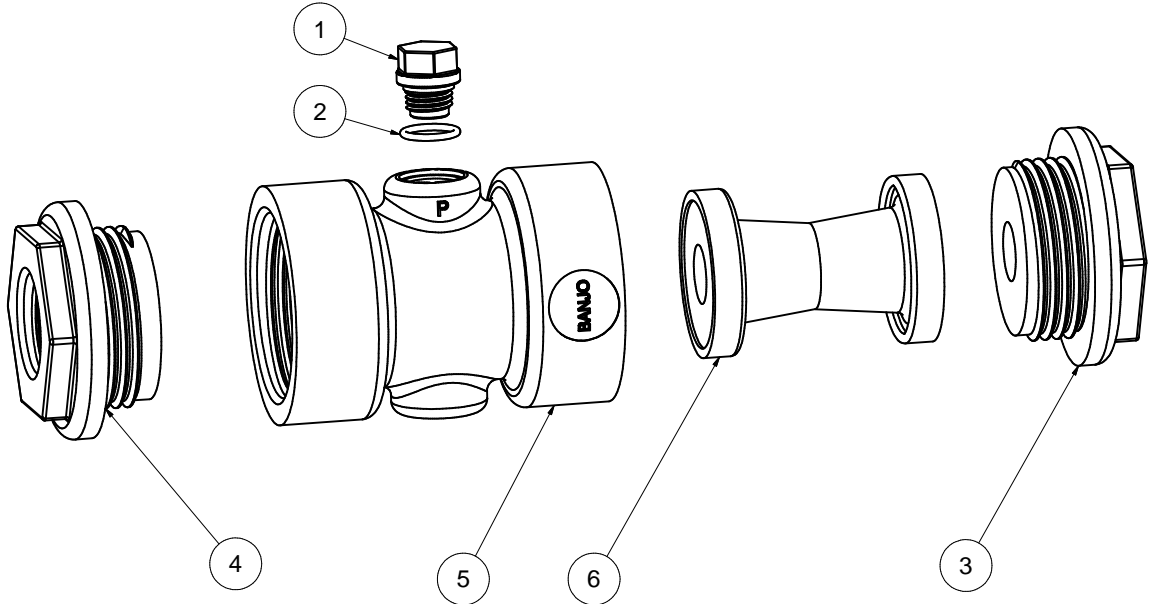


Parts List			
ITEM	QTY	PART NUMBER	DESCRIPTION
1	1	12723	1/4" PIPE PLUG
2	1	12724	#14 O'RING
3	1	PV07256	1" PINCH VALVE END PLATE
4	1	PV07257	3/4" PINCH VALVE END PLATE
5	1	PV10254	PINCH VALVE BODY
6	1	PV10265	PINCH VALVE SEAL



NOTE:

PLUG MUST BE ASSEMBLED ON PORT WITH "P". ENDPLATES CAN BE ASSEMBLED ON EITHER END ON VALVE BODY.

THIS DRAWING AND ALL INFORMATION CONTAINED THEREON ARE THE EXCLUSIVE PROPERTY OF BANJO CORPORATION. UNLESS SPECIFICALLY NOTED, THIS DRAWING AND ITEMS SHOWN ON THIS DRAWING ARE SUBJECT TO CHANGE AT ANY TIME.	
	BANJO CORPORATION 150 BANJO DRIVE, CRAWFORDSVILLE, IN 47933 WEB SITE: WWW.BANJOCORP.COM E-MAIL: BANJOSALES@IDEXCORP.COM
	DESCRIPTION 1" X 3/4" PINCH VALVE PART NUMBER PV100-075