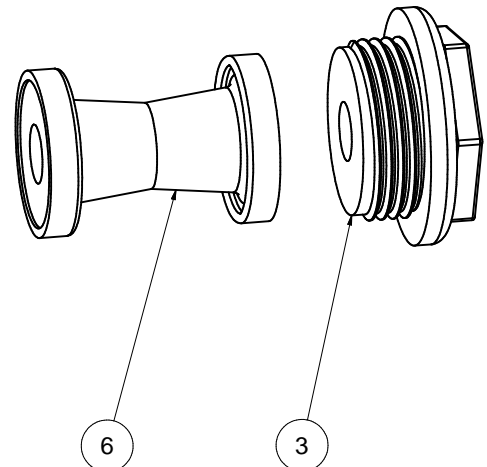
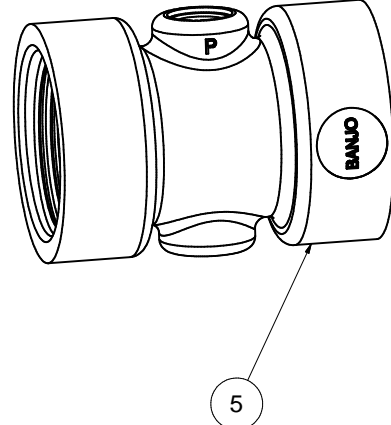
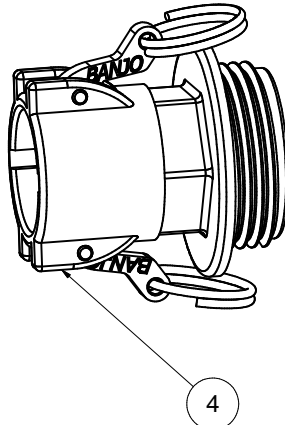
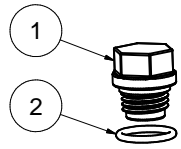
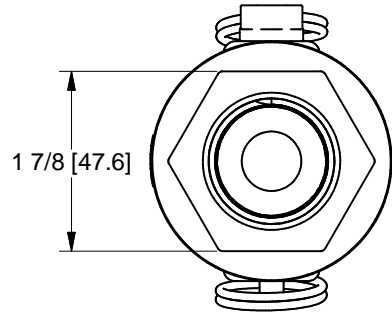
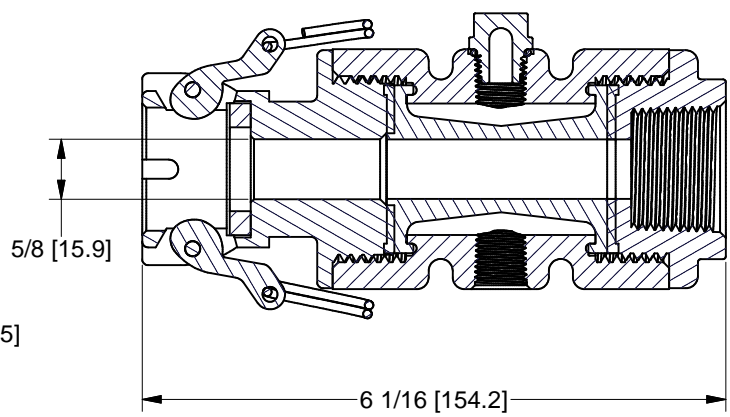
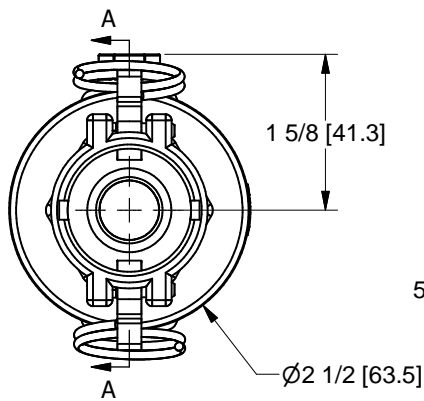


Parts List			
ITEM	QTY	PART NUMBER	DESCRIPTION
1	1	12723	1/4" PIPE PLUG
2	1	12724	#14 O'RING
3	1	PV07256	1" PINCH VALVE END PLATE
4	1	PV07257B	3/4" B Style Air Valve Endplate
5	1	PV10254	PINCH VALVE BODY
6	1	PV10265	PINCH VALVE SEAL



**NOTE:**

PLUG MUST BE ASSEMBLED ON PORT WITH "P". ENDPLATES CAN BE ASSEMBLED ON EITHER END ON VALVE BODY.



BANJO CORPORATION  
 150 BANJO DRIVE, CRAWFORDSVILLE, IN 47933  
 WEB SITE: WWW.BANJOCORP.COM  
 E-MAIL: BANJOSALES@IDEXCORP.COM

THIS DRAWING AND ALL INFORMATION CONTAINED THEREON ARE THE EXCLUSIVE PROPERTY OF BANJO CORPORATION.

UNLESS SPECIFICALLY NOTED, THIS DRAWING AND ITEMS SHOWN ON THIS DRAWING ARE SUBJECT TO CHANGE AT ANY TIME.

DESCRIPTION  
 1" X 3/4" PINCH VALVE B CPLG  
 PART NUMBER  
 PV100-075B