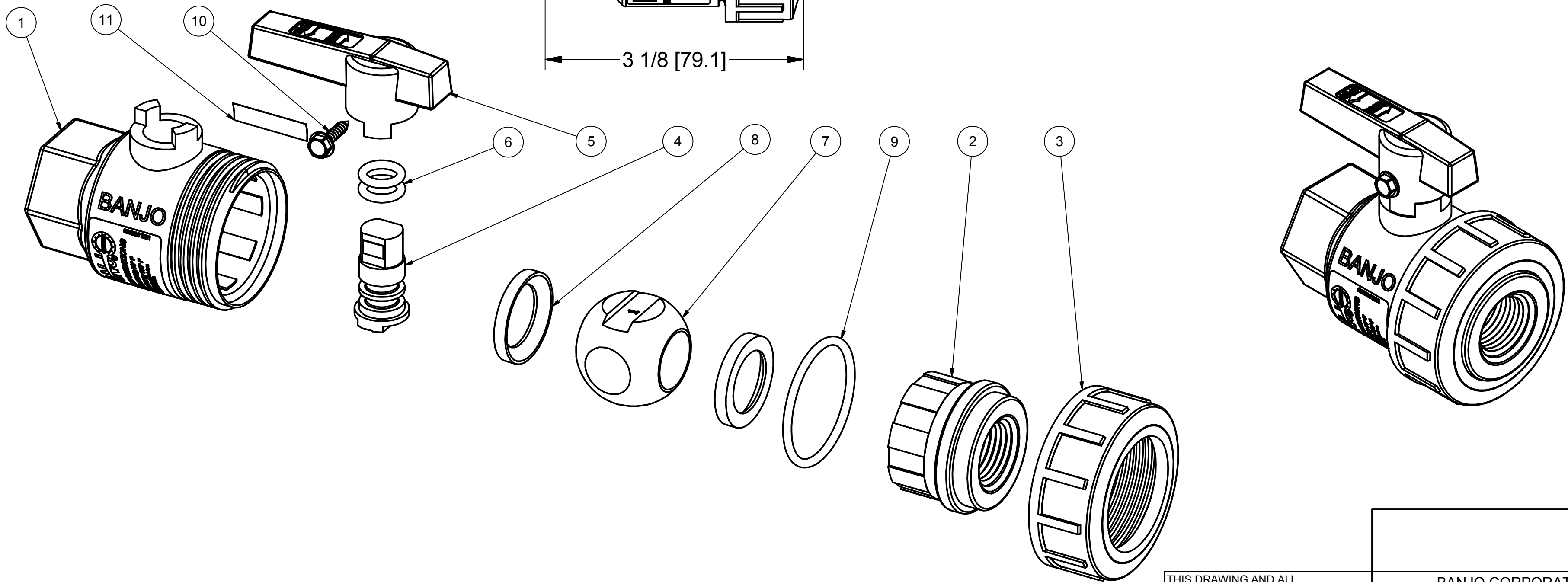
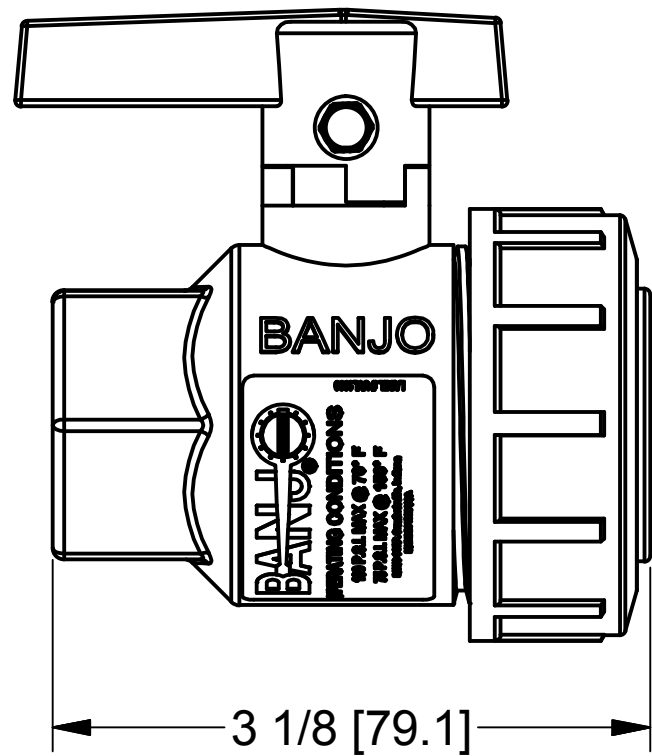
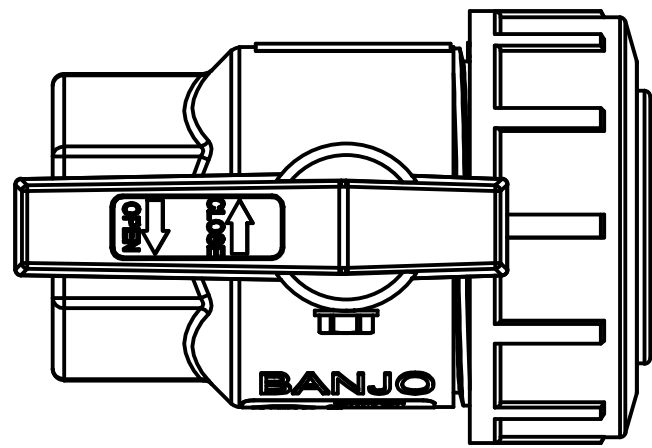


Parts List			
ITEM	QTY	PART NUMBER	DESCRIPTION
1	1	UV05254	1/2" Union Valve Body
2	1	UV05256	1/2" Union Valve End Plate
3	1	UV07150	3/4" Union Valve Endcap
4	1	UV07151	3/4" Union Valve Stem
5	1	UV07153	3/4" UV Handle
6	2	UV07163V	Stem O-ring, FKM
7	1	UV07255	3/4" Union Valve Ball, Tumbled
8	2	UV07258	3/4" UV SEAT
9	1	UV07264V	3/4" UV Body O-Ring - FKM
10	1	UV15220	#6 X 5/8" HWH SMS
11	1	VL1005	VITON LABEL



THIS DRAWING AND ALL INFORMATION CONTAINED THEREON ARE THE EXCLUSIVE PROPERTY OF BANJO CORPORATION.

UNLESS SPECIFICALLY NOTED, THIS DRAWING AND ITEMS SHOWN ON THIS DRAWING ARE SUBJECT TO CHANGE AT ANY TIME.

BANJO CORPORATION 150 BANJO DRIVE, CRAWFORDSVILLE, IN 47933 WEB SITE: WWW.BANJOCORP.COM E-MAIL: BANJOSALES@IDEXCORP.COM	
DESCRIPTION	1/2" Union Valve, FKM
PART NUMBER	UV050FPV