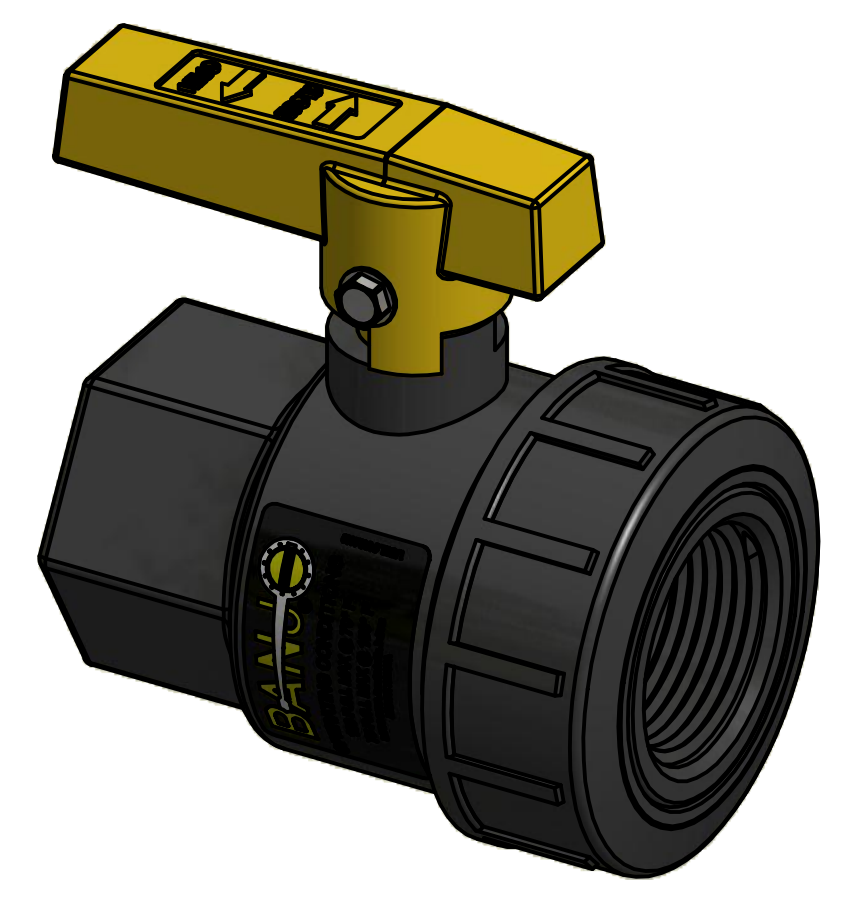
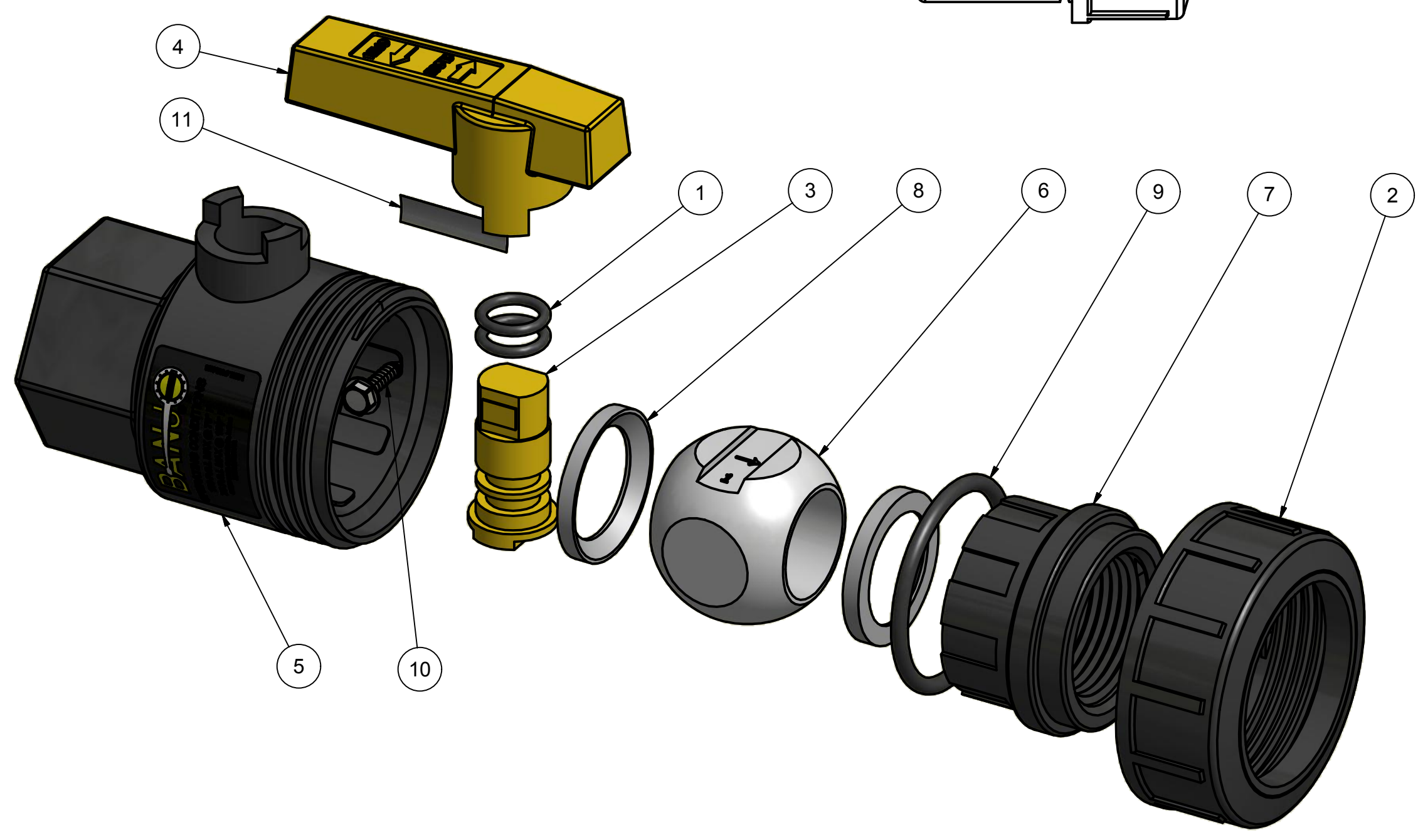
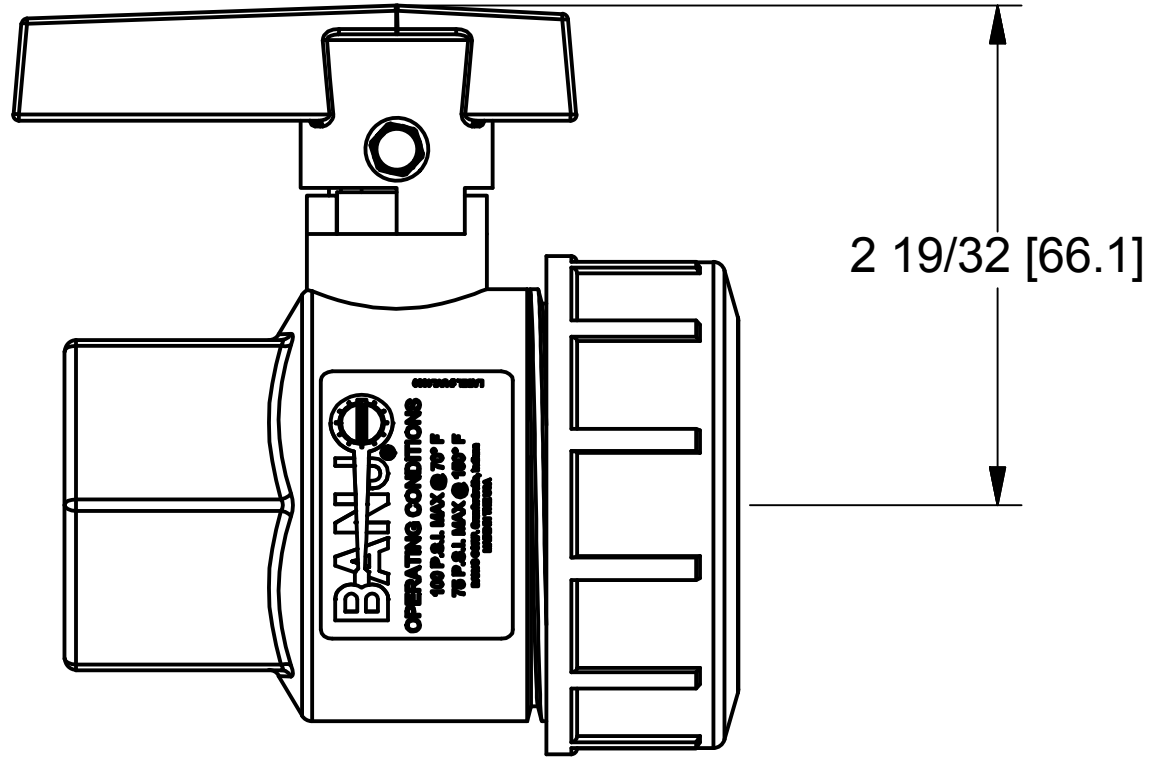
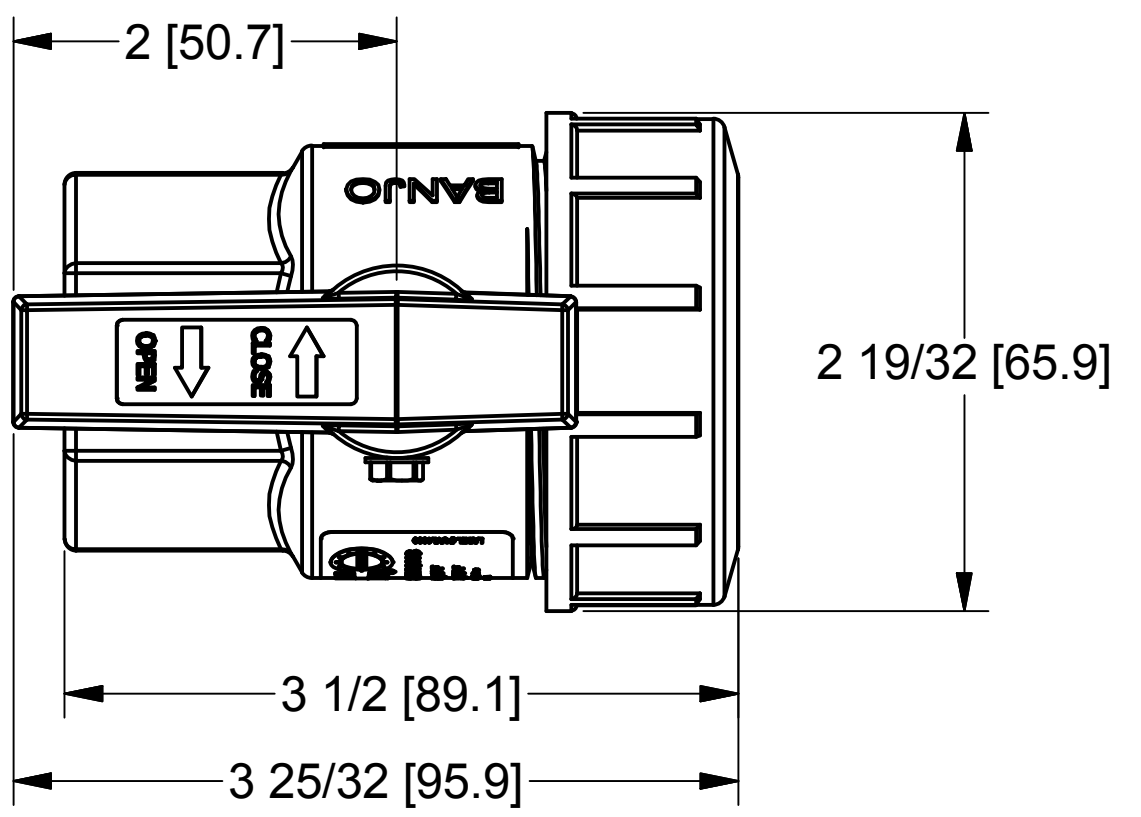


Parts List			
ITEM	QTY	PART NUMBER	DESCRIPTION
1	2	12774V	FKM O-Ring
2	1	UV10150	1" Union Valve Endplate
3	1	UV10151	1" Union Valve Stem
4	1	UV10153	1" UV HANDLE
5	1	UV10254	1" Union Valve Body
6	1	UV10255	1" Union Valve Ball
7	1	UV10256	3/4" Union Valve End Plate
8	2	UV10258	1" UV Seat
9	1	UV10264V	1" UV Body O-ring, FKM
10	1	UV15220	#6 X 5/8" HWH SMS
11	1	VL1005	VITON LABEL



THIS DRAWING AND ALL INFORMATION CONTAINED THEREON ARE THE EXCLUSIVE PROPERTY OF BANJO CORPORATION.

UNLESS SPECIFICALLY NOTED, THIS DRAWING AND ITEMS SHOWN ON THIS DRAWING ARE SUBJECT TO CHANGE AT ANY TIME.

BANJO CORPORATION
 150 BANJO DRIVE, CRAWFORDSVILLE, IN 47933
 WEB SITE: WWW.BANJOCORP.COM
 E-MAIL: BANJOSALES@IDEXCORP.COM

DESCRIPTION
 1" Union Valve, FKM

PART NUMBER
 UV100FPV