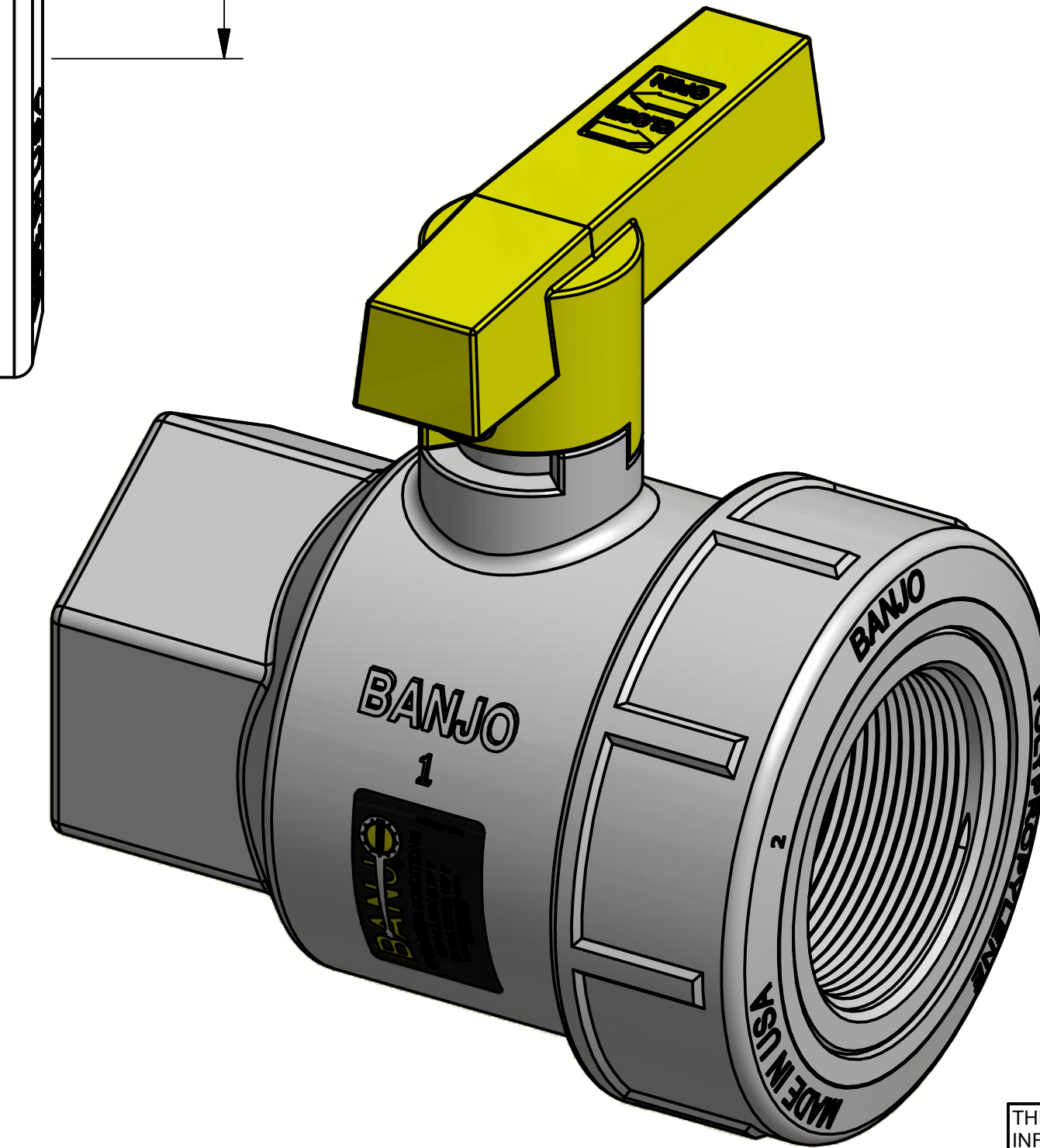
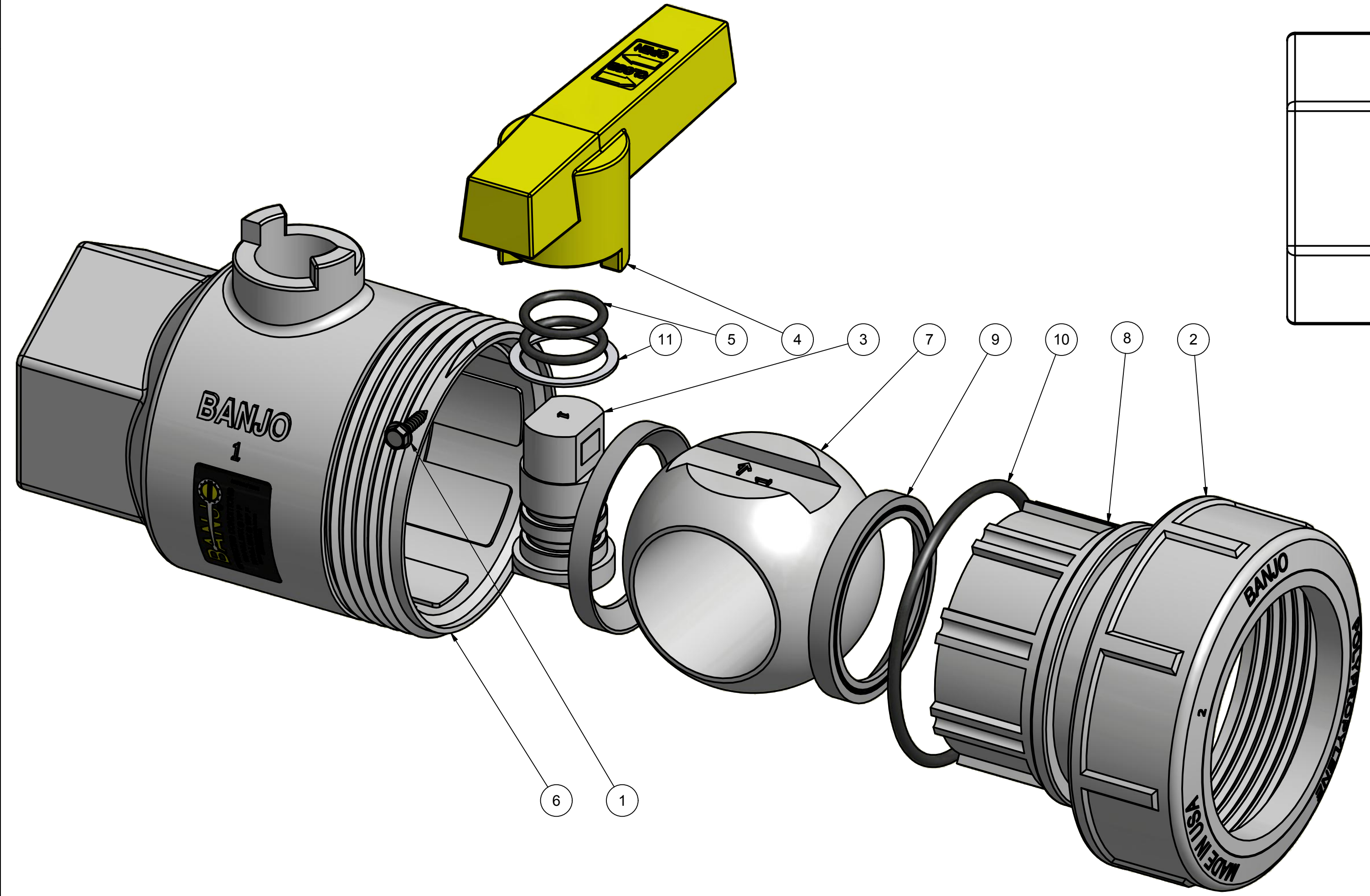
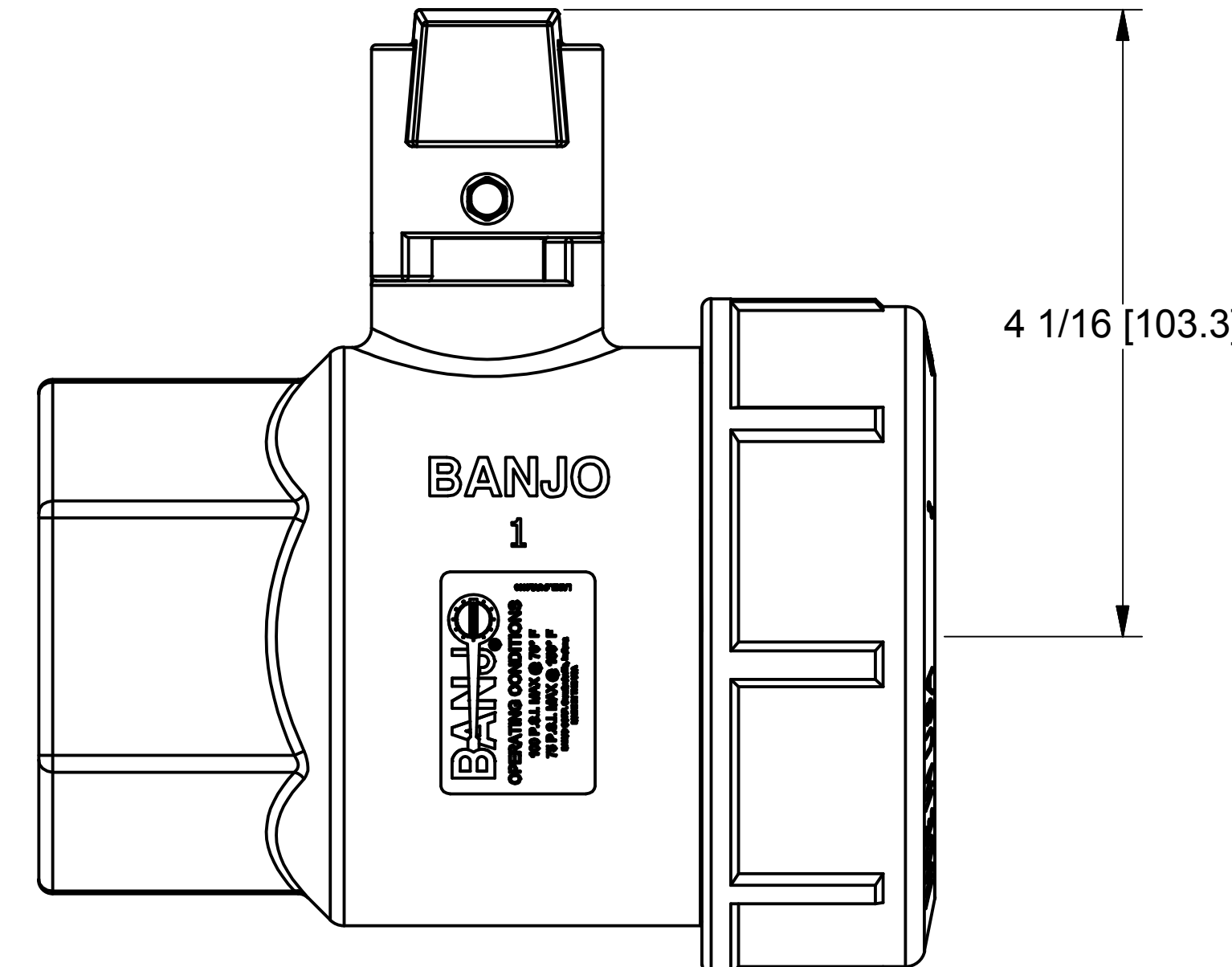
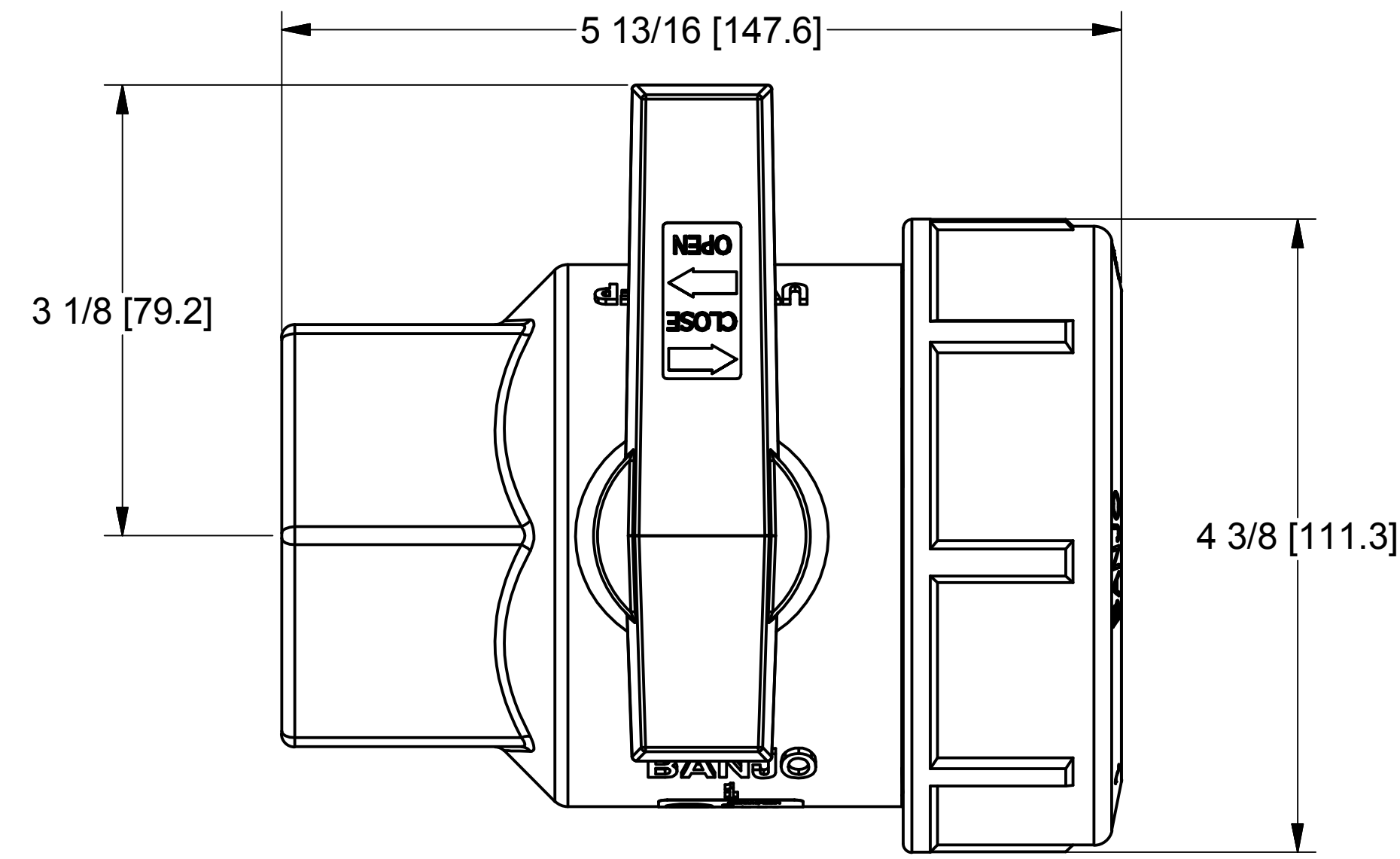


Parts List			
ITEM	QTY	PART NUMBER	DESCRIPTION
1	1	UV15220	#6 X 5/8" HWH SMS
2	1	UV20150FD	2" Union Valve End Plate, FDA
3	1	UV20151FD	2" Union Valve Stem, FDA
4	1	UV20153	2" Union Valve Handle
5	2	UV20163FDE	#117 O-RING, EPDM, FDA
6	1	UV20254FD	2" Union Valve Body, FDA
7	1	UV20255	2" UV BALL
8	1	UV20257FD	2" Union Valve End Plate, FDA
9	2	UV20258	2" UV Seat
10	1	UV20264FDE	2" UV Body O-Ring, EPDM, FDA
11	1	V25060	VALVE STEM THRUST BEARING



THIS DRAWING AND ALL INFORMATION CONTAINED THEREON ARE THE EXCLUSIVE PROPERTY OF BANJO CORPORATION.

UNLESS SPECIFICALLY NOTED, THIS DRAWING AND ITEMS SHOWN ON THIS DRAWING ARE SUBJECT TO CHANGE AT ANY TIME.

BANJO CORPORATION
150 BANJO DRIVE, CRAWFORDSVILLE, IN 47933
WEB SITE: WWW.BANJOCORP.COM
E-MAIL: BANJOSALES@DEXCORP.COM

DESCRIPTION
2" Union Valve, FDA

PART NUMBER
UV200FPFD