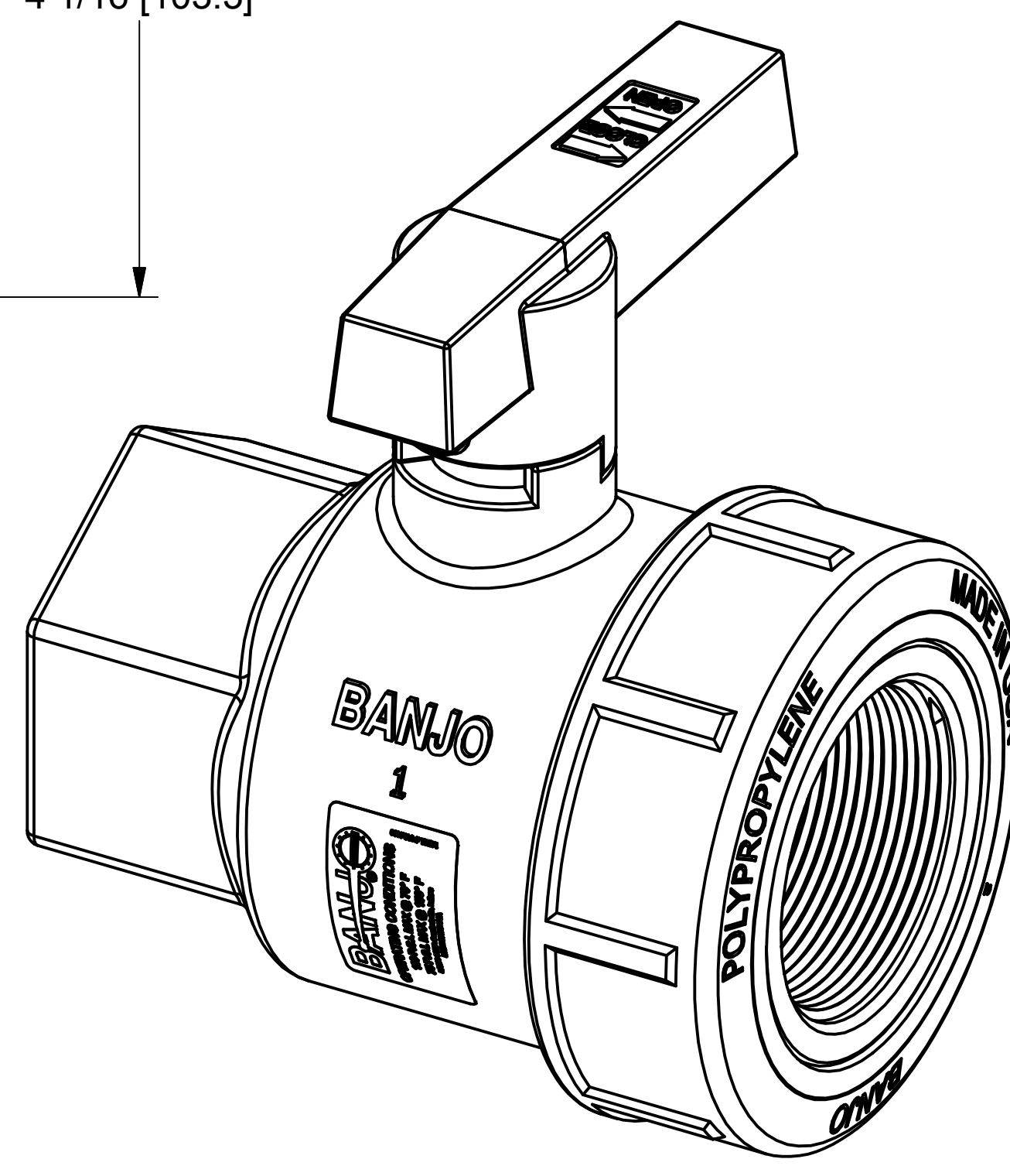
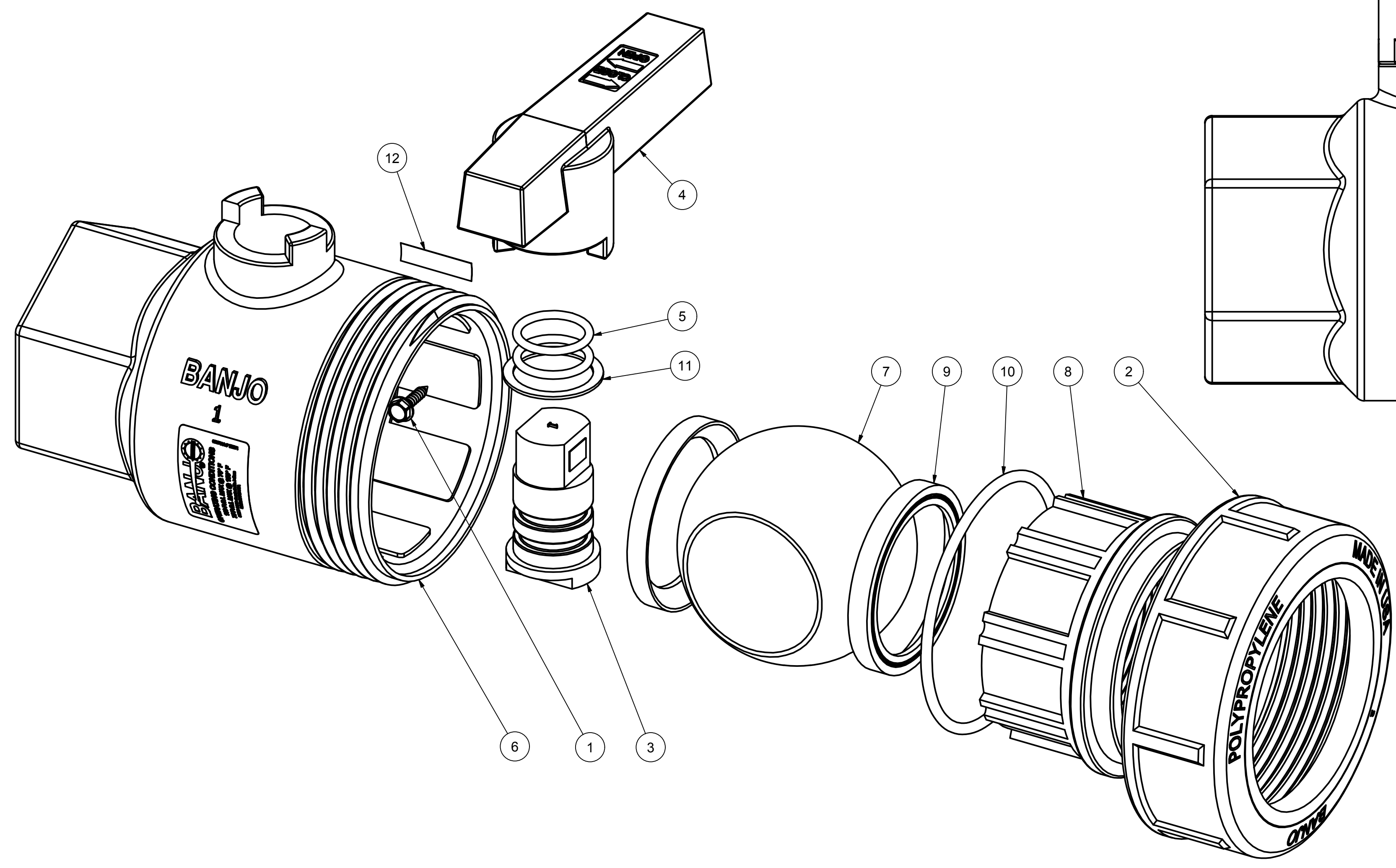
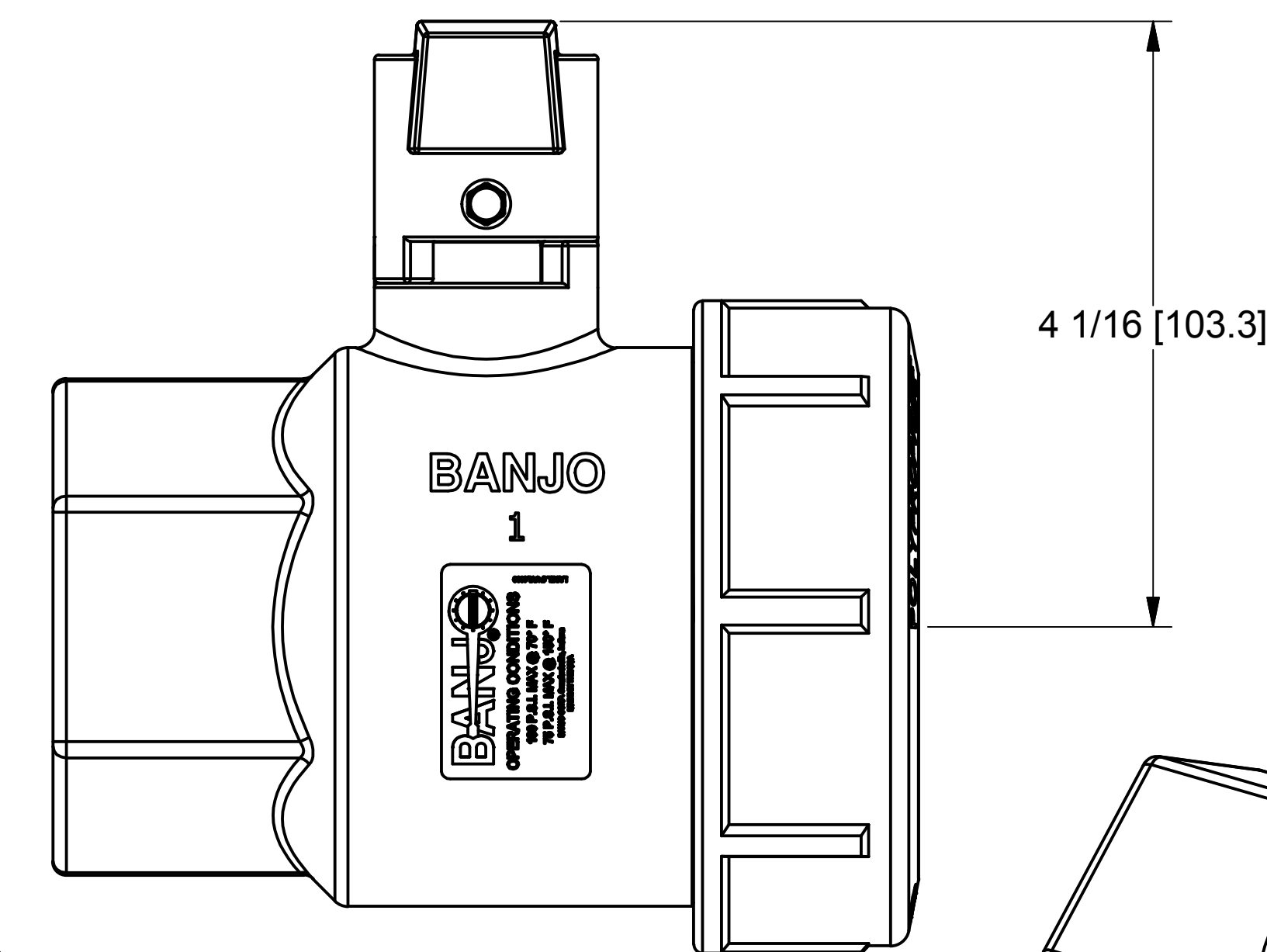
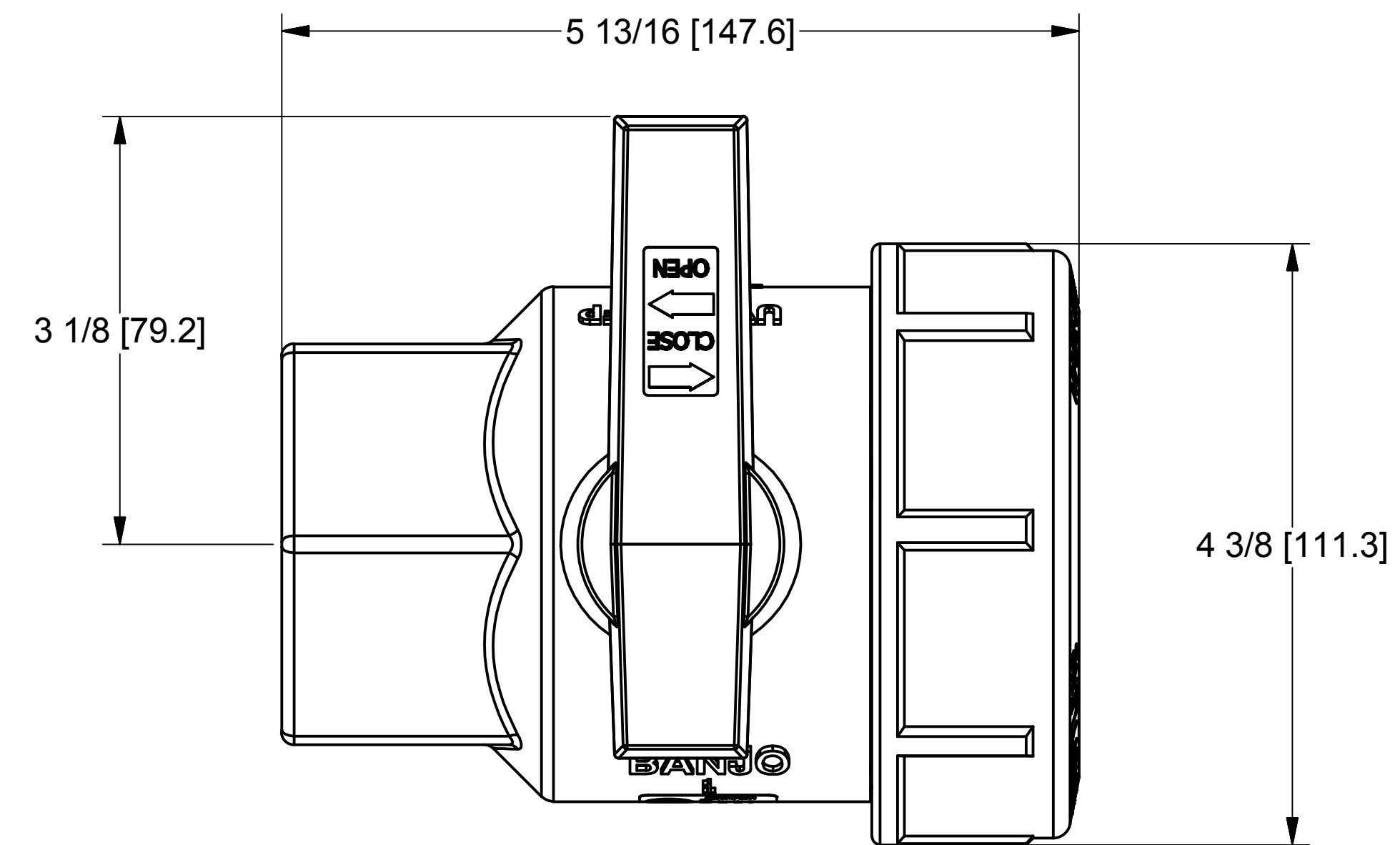


Parts List			
ITEM	QTY	PART NUMBER	DESCRIPTION
1	1	UV15220	#6 X 5/8" HWH SMS
2	1	UV20150	2" UV CAP
3	1	UV20151	2" UV STEM
4	1	UV20153	2" Union Valve Handle
5	2	UV20163V	#117 O-RING, FKM
6	1	UV20254	2" UV BODY
7	1	UV20255	2" UV BALL
8	1	UV20257	2" UV END PLATE
9	2	UV20258	2" UV Seat
10	1	UV20264V	2" UV Body O-Ring, FKM
11	1	V25060	VALVE STEM THRUST BEARING
12	1	VL1005	VITON LABEL



THIS DRAWING AND ALL INFORMATION CONTAINED THEREON ARE THE EXCLUSIVE PROPERTY OF BANJO CORPORATION.

UNLESS SPECIFICALLY NOTED, THIS DRAWING AND ITEMS SHOWN ON THIS DRAWING ARE SUBJECT TO CHANGE AT ANY TIME.

BANJO CORPORATION  
150 BANJO DRIVE, CRAWFORDSVILLE, IN 47933  
WEB SITE: WWW.BANJOCORP.COM  
E-MAIL: BANJOSALES@DEXCORP.COM

DESCRIPTION  
2" Union Valve, Viton

PART NUMBER  
UV200FPV