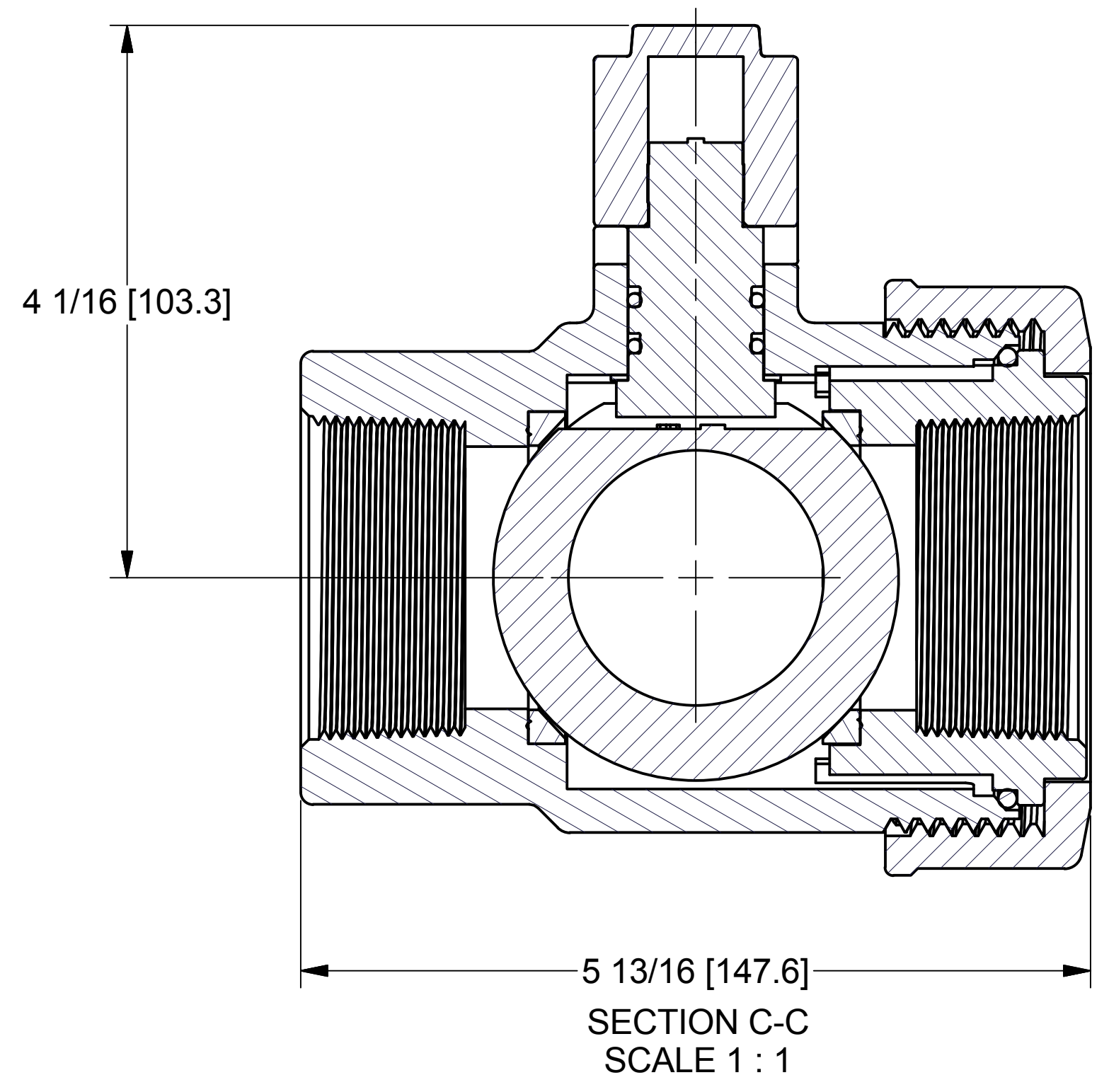
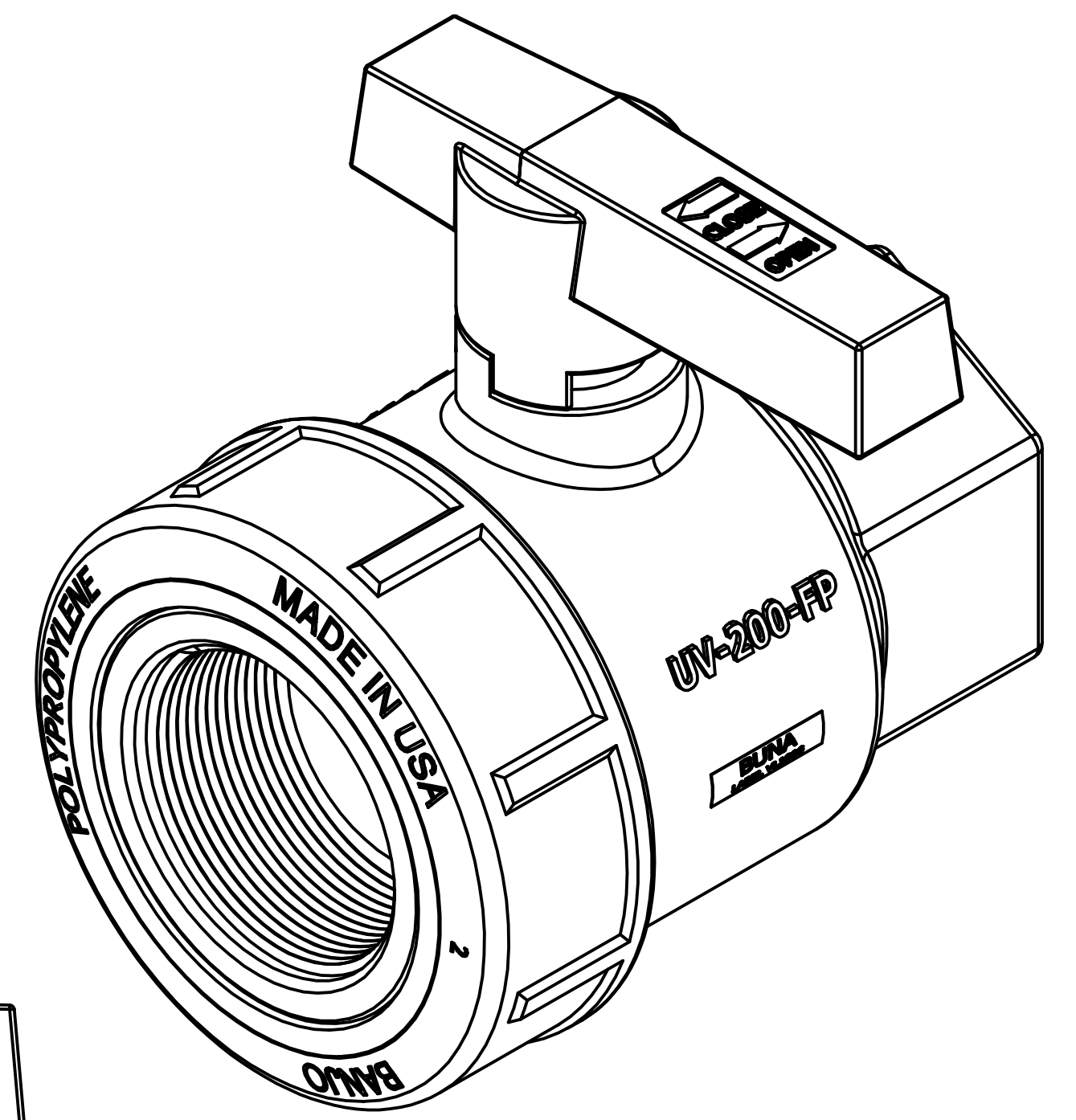


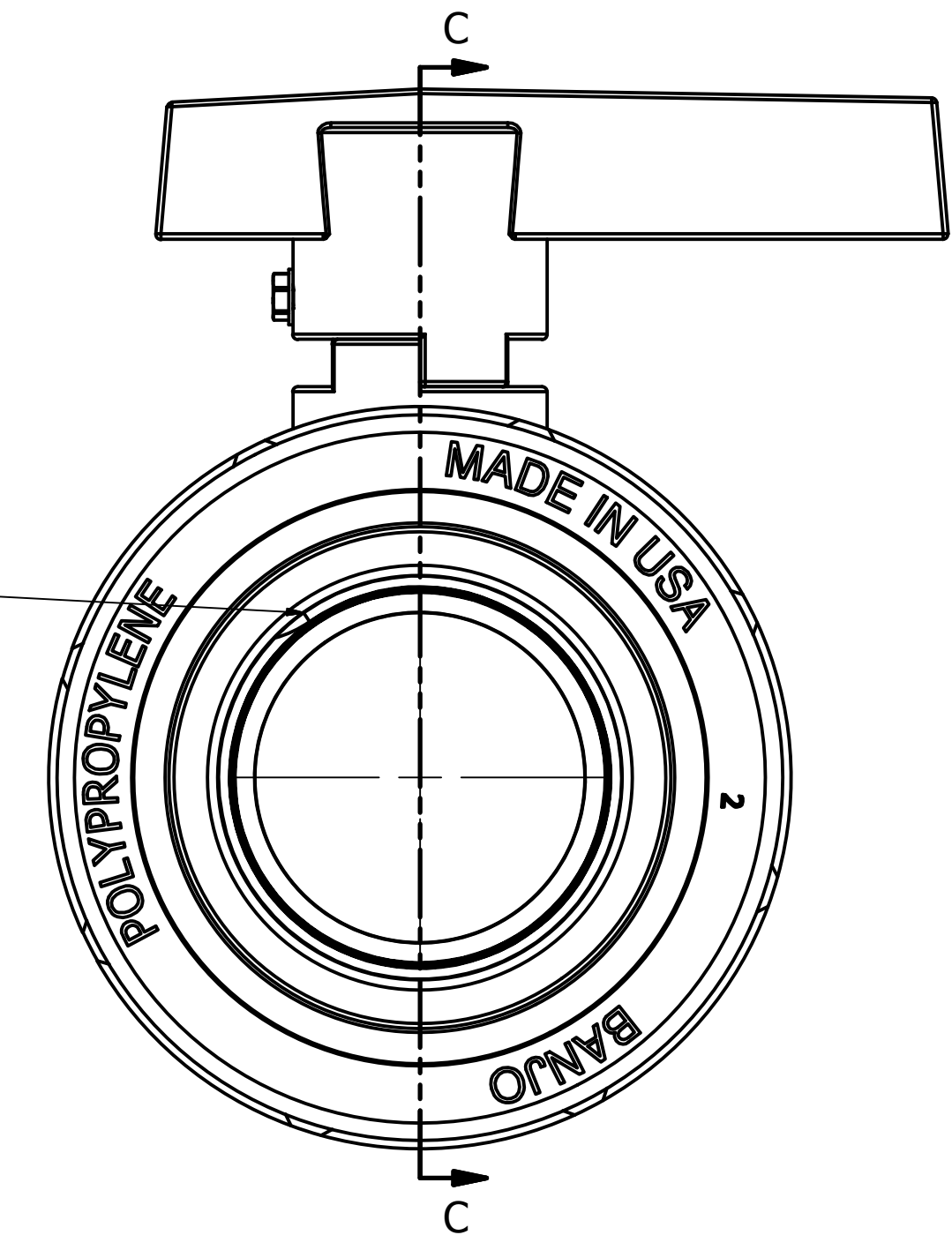
Parts List			
ITEM	QTY	PART NUMBER	DESCRIPTION
1	1	UV15220	#6 X 5/8" HWH SMS
2	1	UV20150	2" UV CAP
3	1	UV20151	2" UV STEM
4	1	UV20153	2" Union Valve Handle
5	2	UV20163FDBN	#117 O-RING, BUNA, FDA
6	1	UV20254	2" UV BODY
7	1	UV20255	2" UV BALL
8	1	UV20257	2" UV END PLATE
9	2	UV20258	2" UV Seat
10	1	UV20264FDBN	2" UV Body O-Ring, Buna, FDA
11	1	V25060	VALVE STEM THRUST BEARING
12	1	VL1006	BUNA LABEL



FOR MACMILLAN BLOEDEL PACKAGING
 UV20257 IS TO BE ORIENTED SUCH
 THAT THE THD START IS AT THE
 10 O'CLOCK POSITION RELATIVE TO
 THE HANDLE

MACMILLAN BLOEDEL PART NO.: VAL02-1
 CUSTOMER REQUESTS THAT MACMILLAN BLOEDEL PART
 NO. AND ORDER NUMBER BE WRITTEN ON THE OUTSIDE
 OF THE VALVE BOXES

CUSTOMER SPEC VALVE
 ALL PRINT CHANGES MUST HAVE
 APPROVAL OF MACMILLAN BLOEDEL
 ATTN: FDA BUNA O'RINGS



THIS DRAWING AND ALL INFORMATION CONTAINED THEREON ARE THE EXCLUSIVE PROPERTY OF BANJO CORPORATION.
 UNLESS SPECIFICALLY NOTED, THIS DRAWING AND ITEMS SHOWN ON THIS DRAWING ARE SUBJECT TO CHANGE AT ANY TIME.

BANJO CORPORATION
 150 BANJO DRIVE, CRAWFORDSVILLE, IN 47933
 WEB SITE: WWW.BANJOCORP.COM
 E-MAIL: BANJOSALES@DEXCORP.COM

DESCRIPTION
 2" Union Valve, BUNA, for MBP
 PART NUMBER
 UV204FPBN