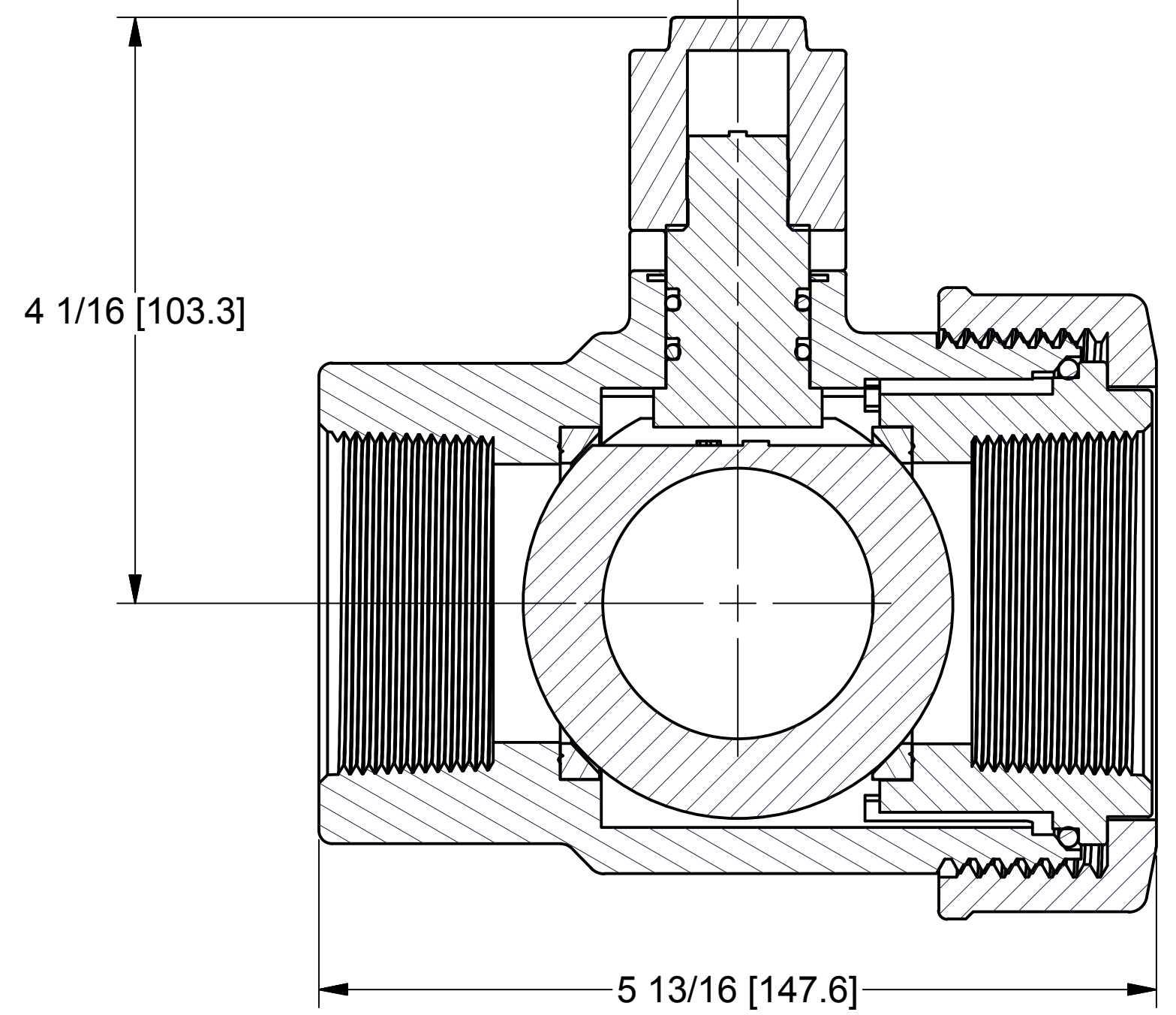
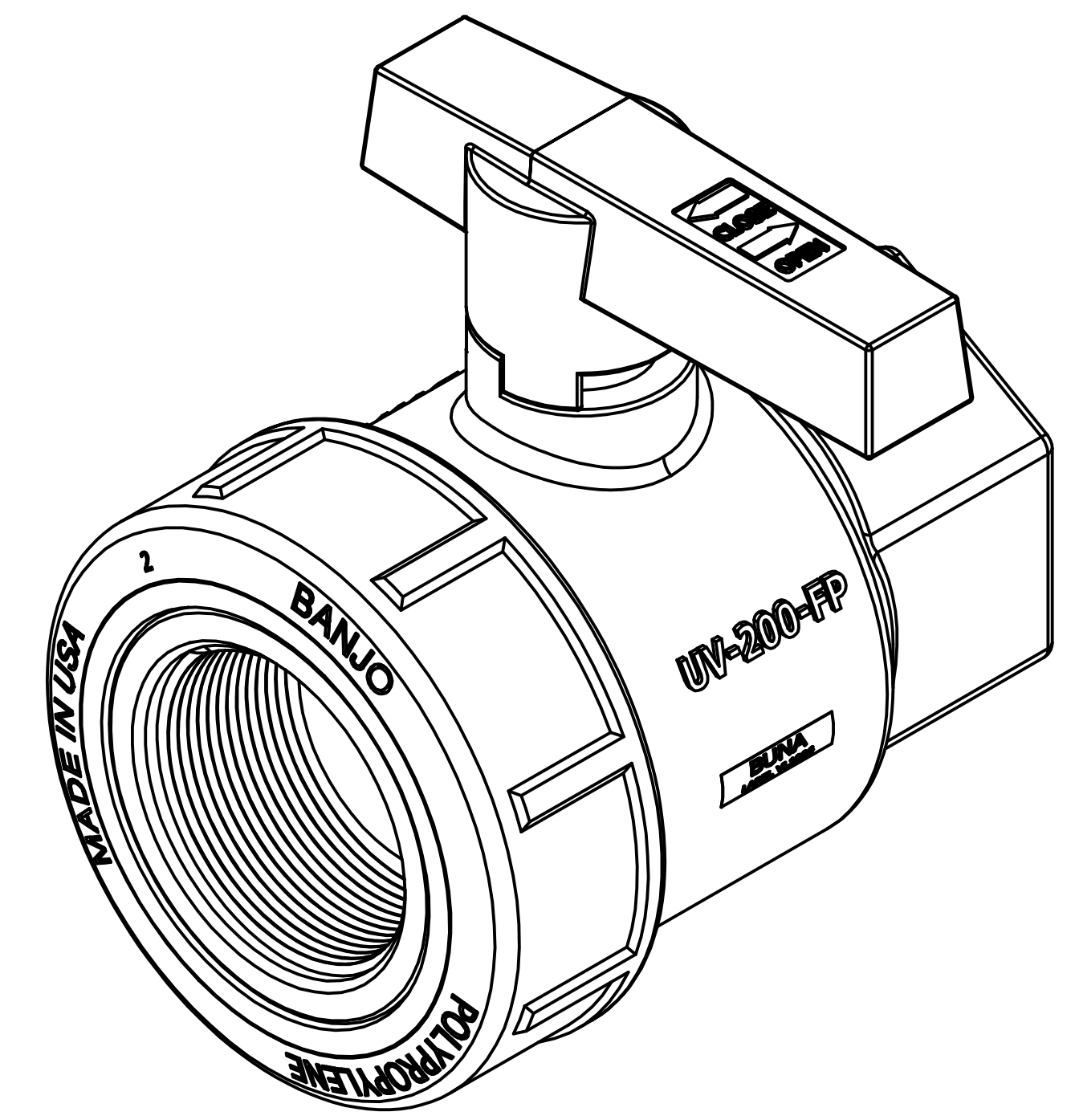


Parts List			
ITEM	QTY	PART NUMBER	DESCRIPTION
1	1	UV15220	#6 X 5/8" HWH SMS
2	1	UV20150FD	2" Union Valve End Plate, FDA
3	1	UV20151FD	2" Union Valve Stem, FDA
4	1	UV20153	2" Union Valve Handle
5	2	UV20163FDBN	#117 O-RING, BUNA, FDA
6	1	UV20254FD	2" Union Valve Body, FDA
7	1	UV20255	2" UV BALL
8	1	UV20257FD	2" Union Valve End Plate, FDA
9	2	UV20258	2" UV Seat
10	1	UV20264FDBN	2" UV Body O-Ring, Buna, FDA
11	1	V25060	VALVE STEM THRUST BEARING
12	1	VL1006	BUNA LABEL



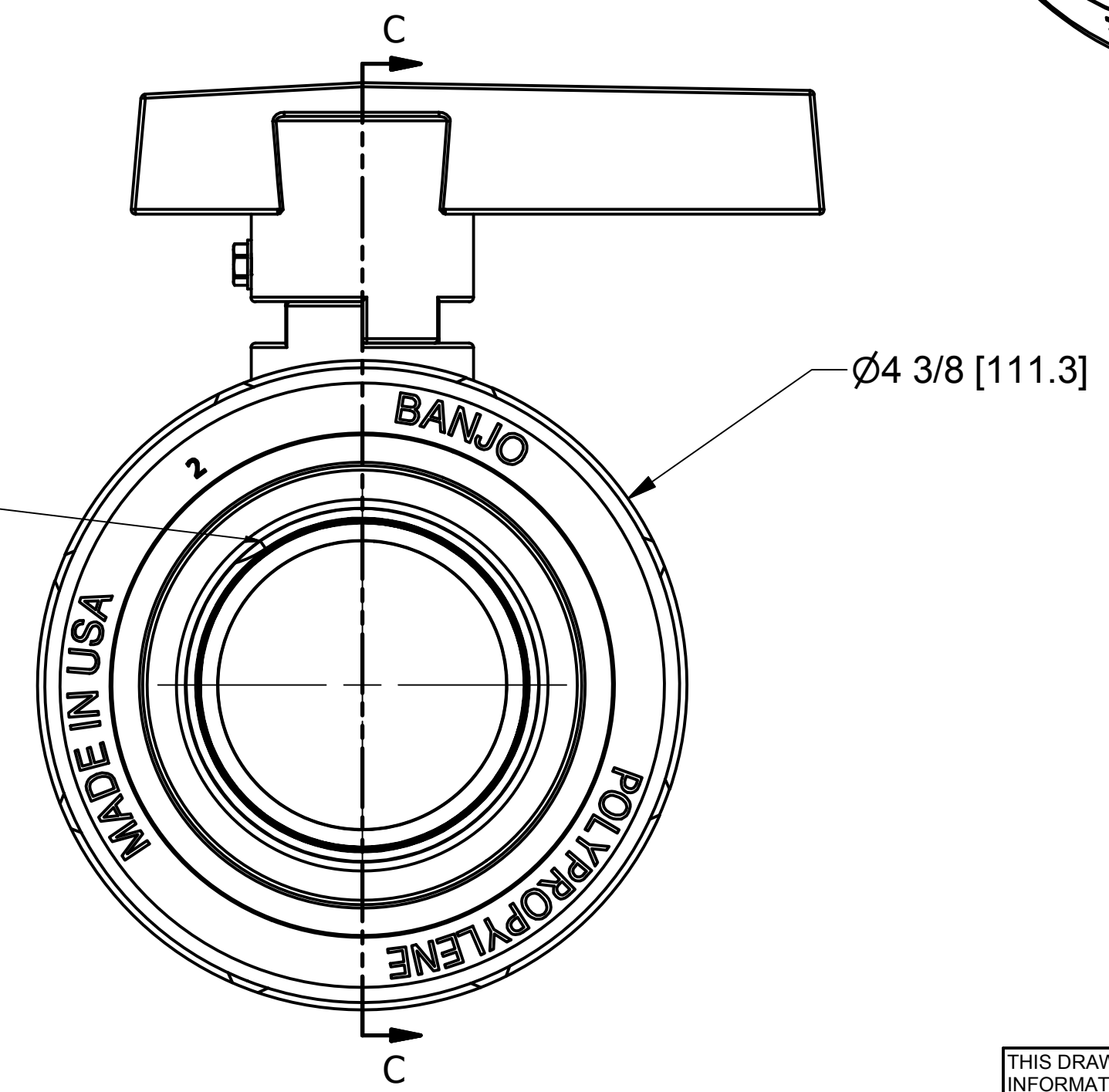
SECTION C-C
SCALE 1 : 1

FOR MACMILLAN BLOEDEL PACKAGING

UV20257FD IS TO BE ORIENTED SUCH THAT THE THD START IS AT THE 10 O'CLOCK POSITION RELATIVE TO THE HANDLE

MACMILLAN BLOEDEL PART NO.: VAL04-1
CUSTOMER REQUESTS THAT MACMILLAN BLOEDEL PART NO. AND ORDER NUMBER BE WRITTEN ON THE OUTSIDE OF THE VALVE BOXES

CUSTOMER SPEC VALVE
ALL PRINT CHANGES MUST HAVE APPROVAL OF MACMILLAN BLOEDEL
ATTN: FDA BUNA O'RINGS



THIS DRAWING AND ALL INFORMATION CONTAINED THEREON ARE THE EXCLUSIVE PROPERTY OF BANJO CORPORATION.
UNLESS SPECIFICALLY NOTED, THIS DRAWING AND ITEMS SHOWN ON THIS DRAWING ARE SUBJECT TO CHANGE AT ANY TIME.

BANJO CORPORATION
150 BANJO DRIVE, CRAWFORDSVILLE, IN 47933
WEB SITE: WWW.BANJOCORP.COM
E-MAIL: BANJOSALES@DEXCORP.COM

DESCRIPTION
2" Union Valve, FDA BUNA, for MBP
PART NUMBER
UV204FPFDBN