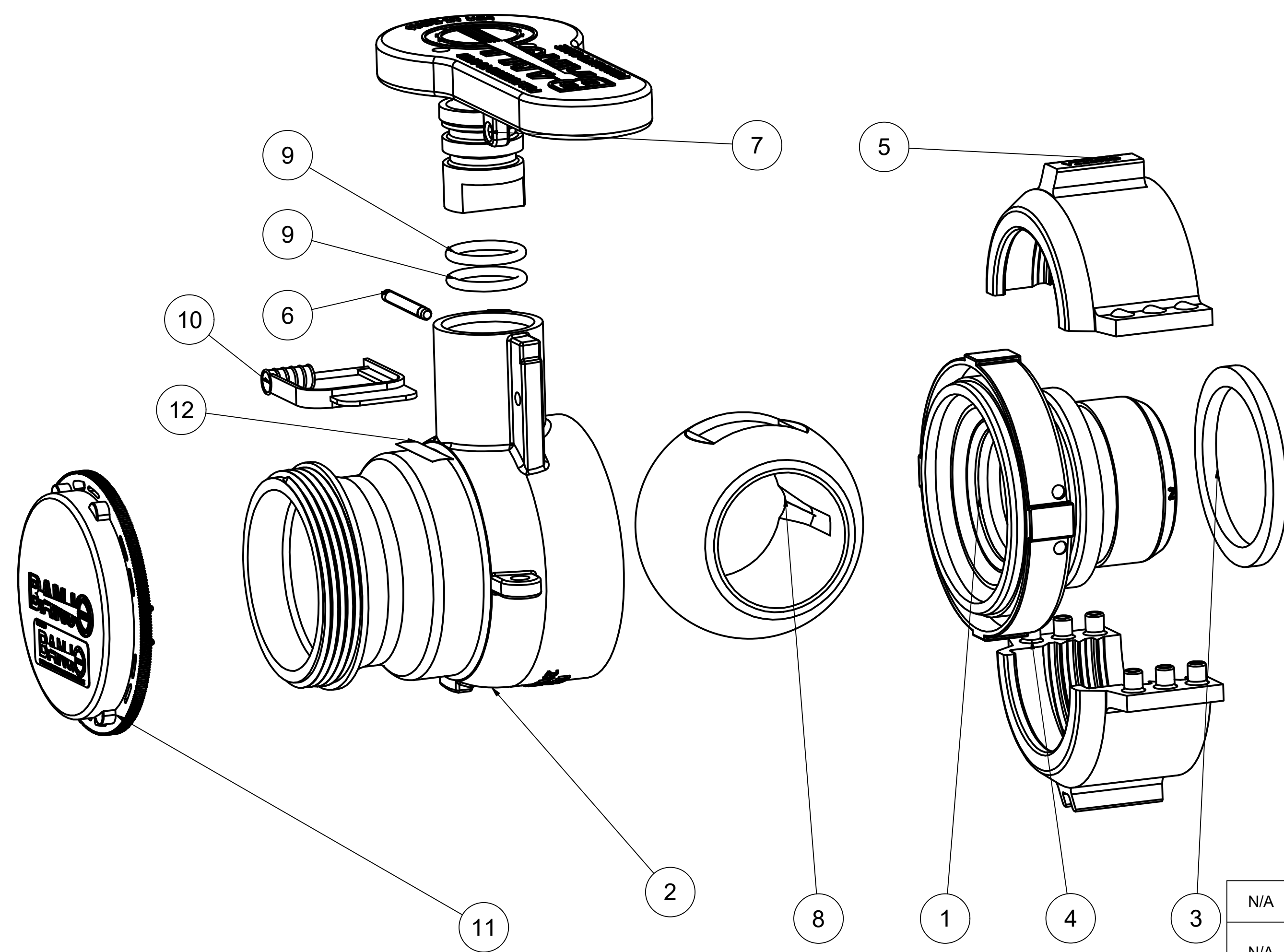
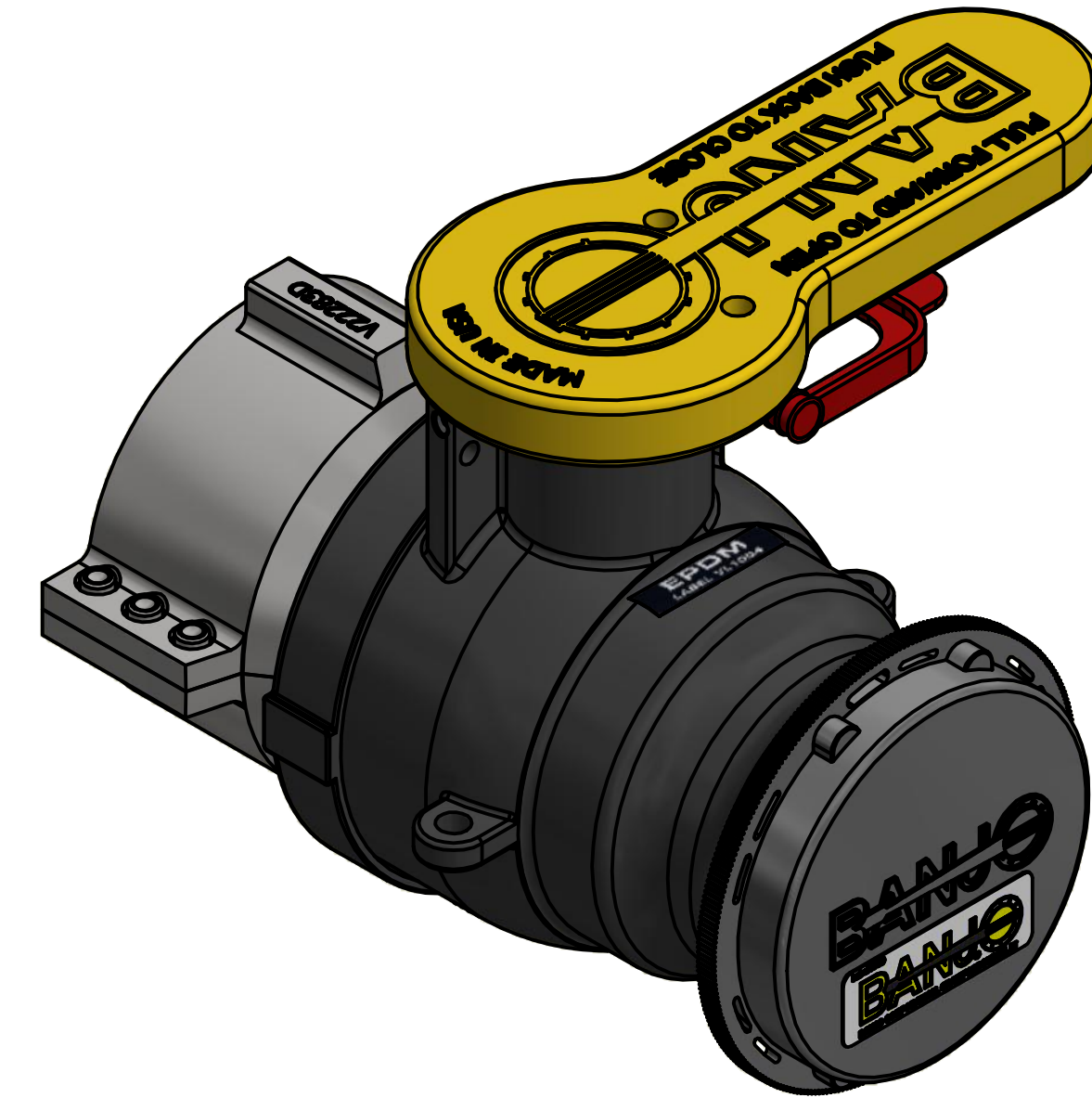
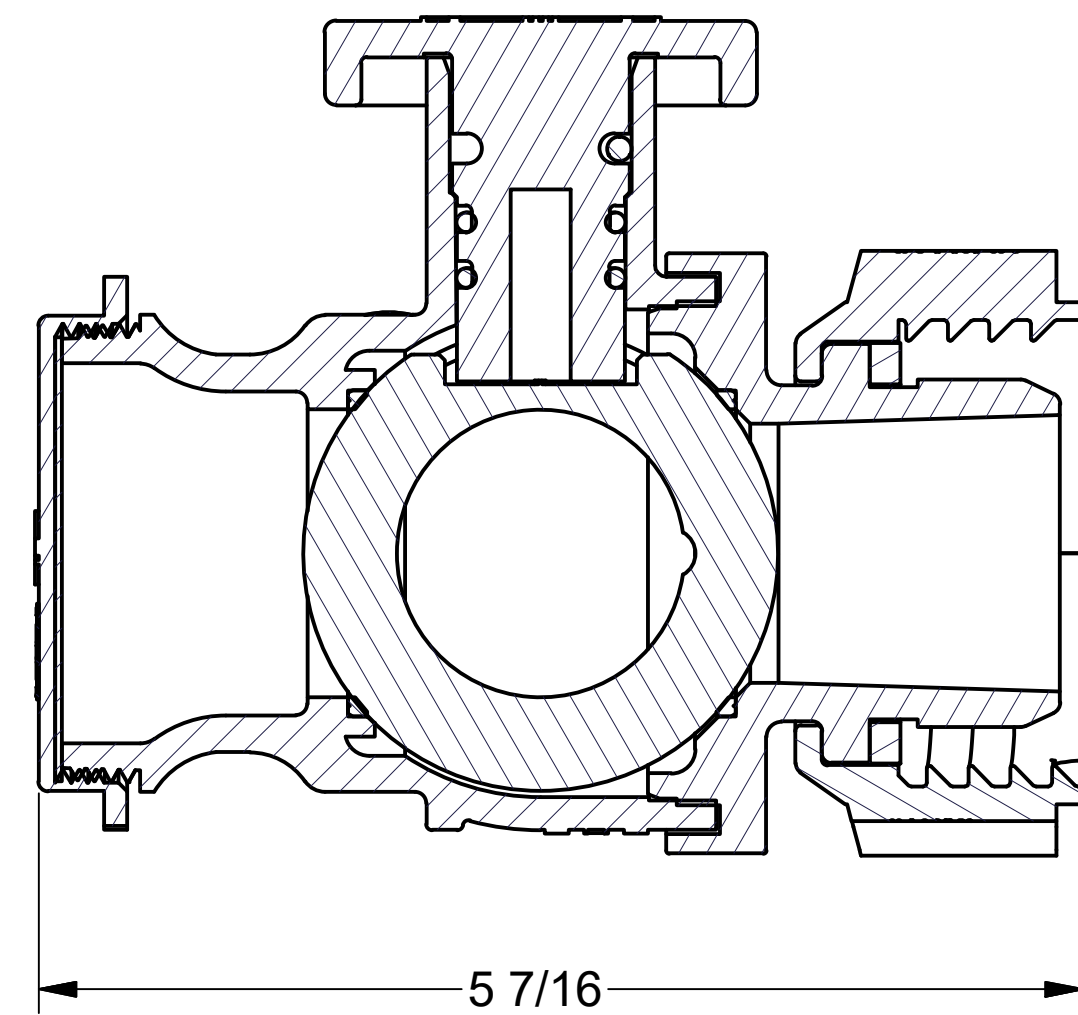
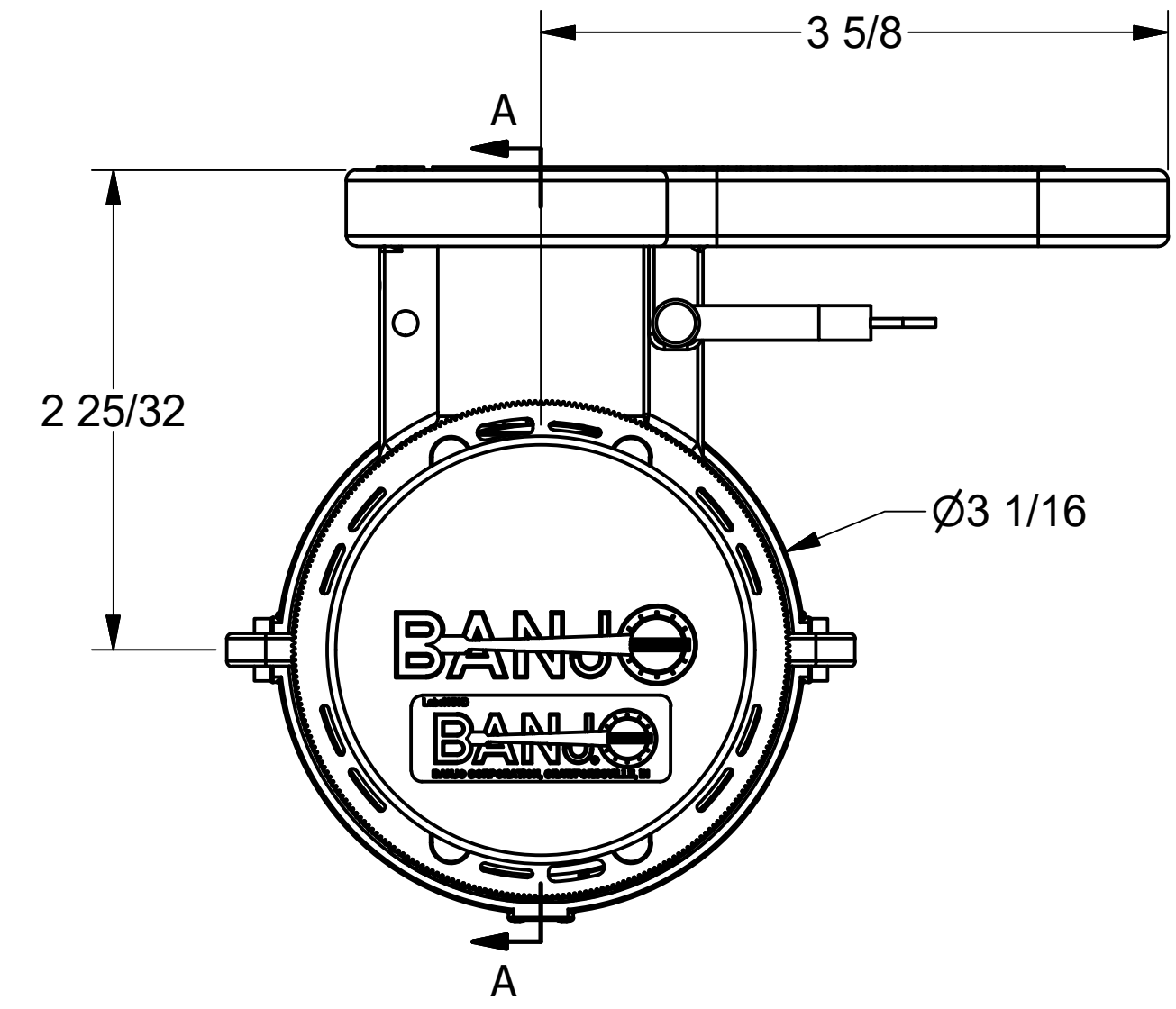



Parts List			
ITEM	QTY	PART NUMBER	DESCRIPTION
1	1	WS22296	WELDED VALVE ENDPLATE
2	1	WSF20264	2" QDC WELD BODY
3	1	V22275G	VALVE GASKET
4	1	V22283C	MALE COLLAR HALF
5	1	V22283D	FEMALE COLLAR HALF
6	1	WS20002	Pin
7	1	WS20153	2" Handle for W Valve
8	1	WS20255T	2" TUMBLED VALVE BALL
9	2	WS20163E	#115 O-RING
10	1	VS20209	SPRING-LOK SEAL
11	1	201FPTL	2" NPT BK Cap w/ Gasket & Label
12	1	VL1004	EPDM DECAL



ZONE	REV	DESCRIPTION	DATE	APPROVED
N/A	A1	201FPTL WITH C25PFSLE113 FOIL	01/10/2017	MS
N/A	A	REMOVED 211FPTG	01/10/2017	MS

TOLERANCE UNLESS OTHERWISE SPECIFIED DECIMALS 0.00 = +/- 0.010 DECIMALS 0.000 = +/- 0.005 FRACTIONS 1/X = +/- 1/32 ANGLES = +/- 1		
BREAK ALL SHOWN CORNERS W/ 1/32 R UNLESS OTHERWISE SPECIFIED		
DRAWN MEG CHECKED	11/19/2007	BANJO CORPORATION 150 BANJO DRIVE, CRAWFORDSVILLE, IN 47933
QA MFG APPROVED		TITLE 2" QD OUTLET WELD VALVE, MAUSER W/ CAP & FOIL SEAL
	DWG NO W230240 PART NO W230240	SIZE D DWG TYPE ENG REV 000 SHEET 1 OF 2