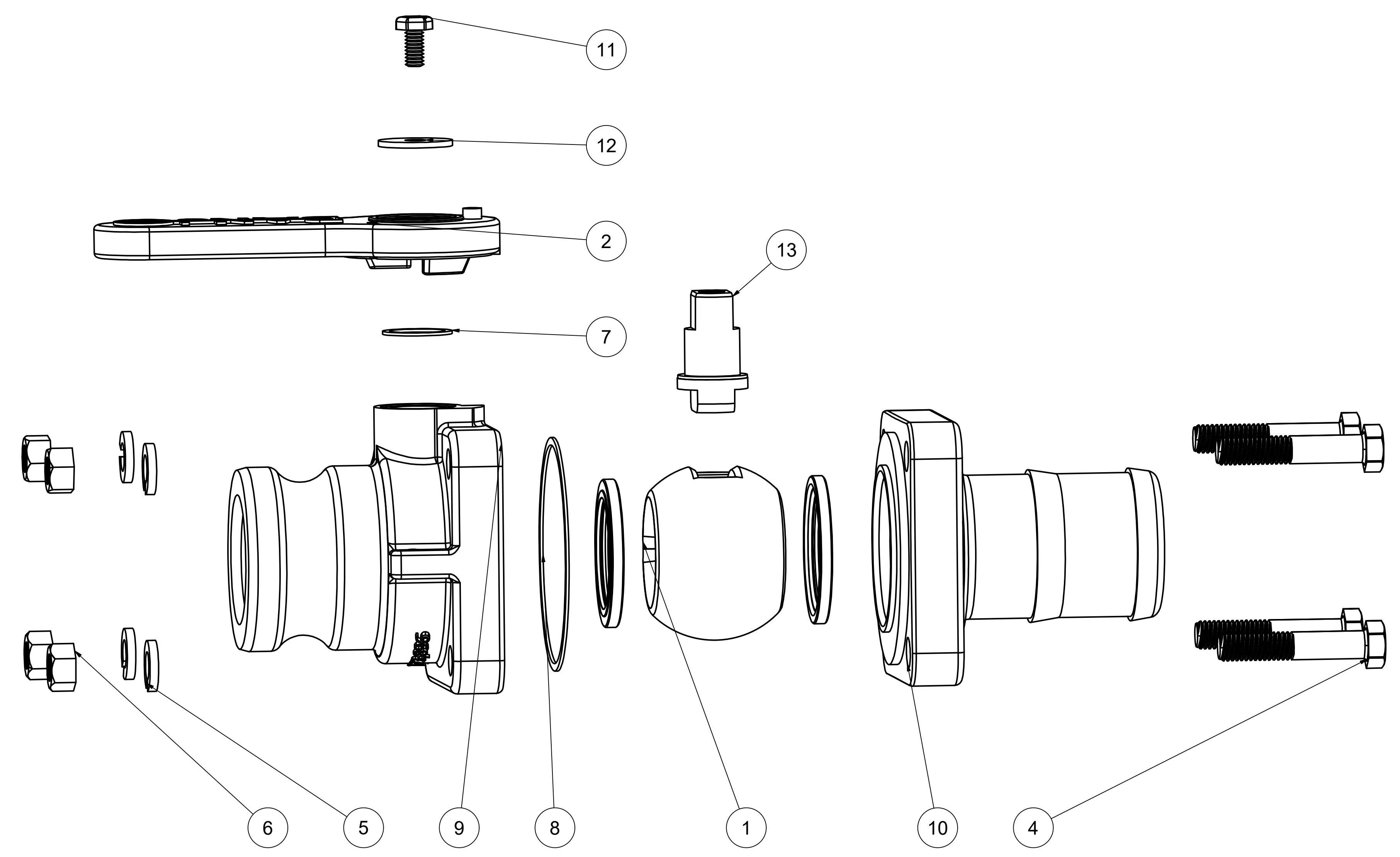
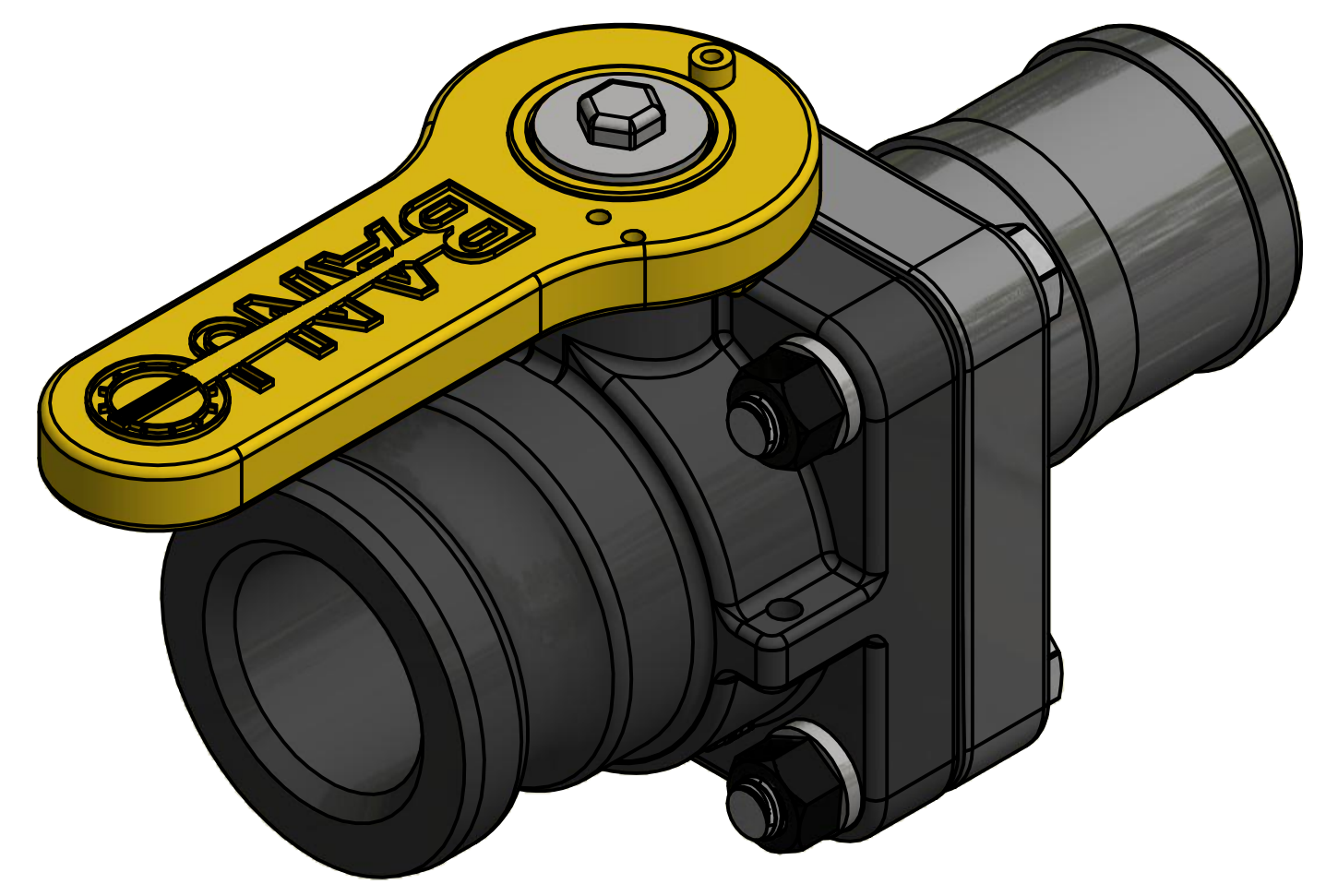
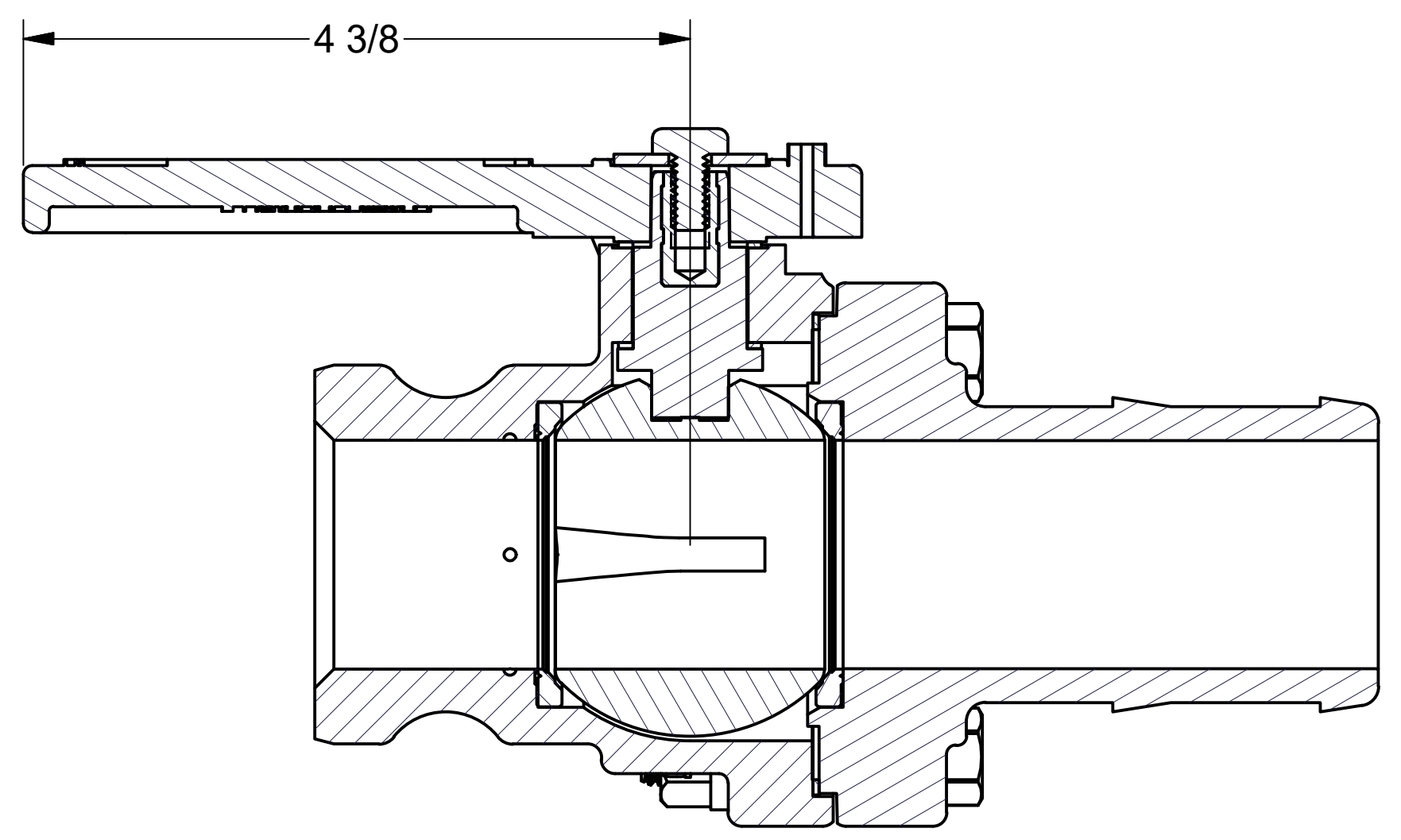
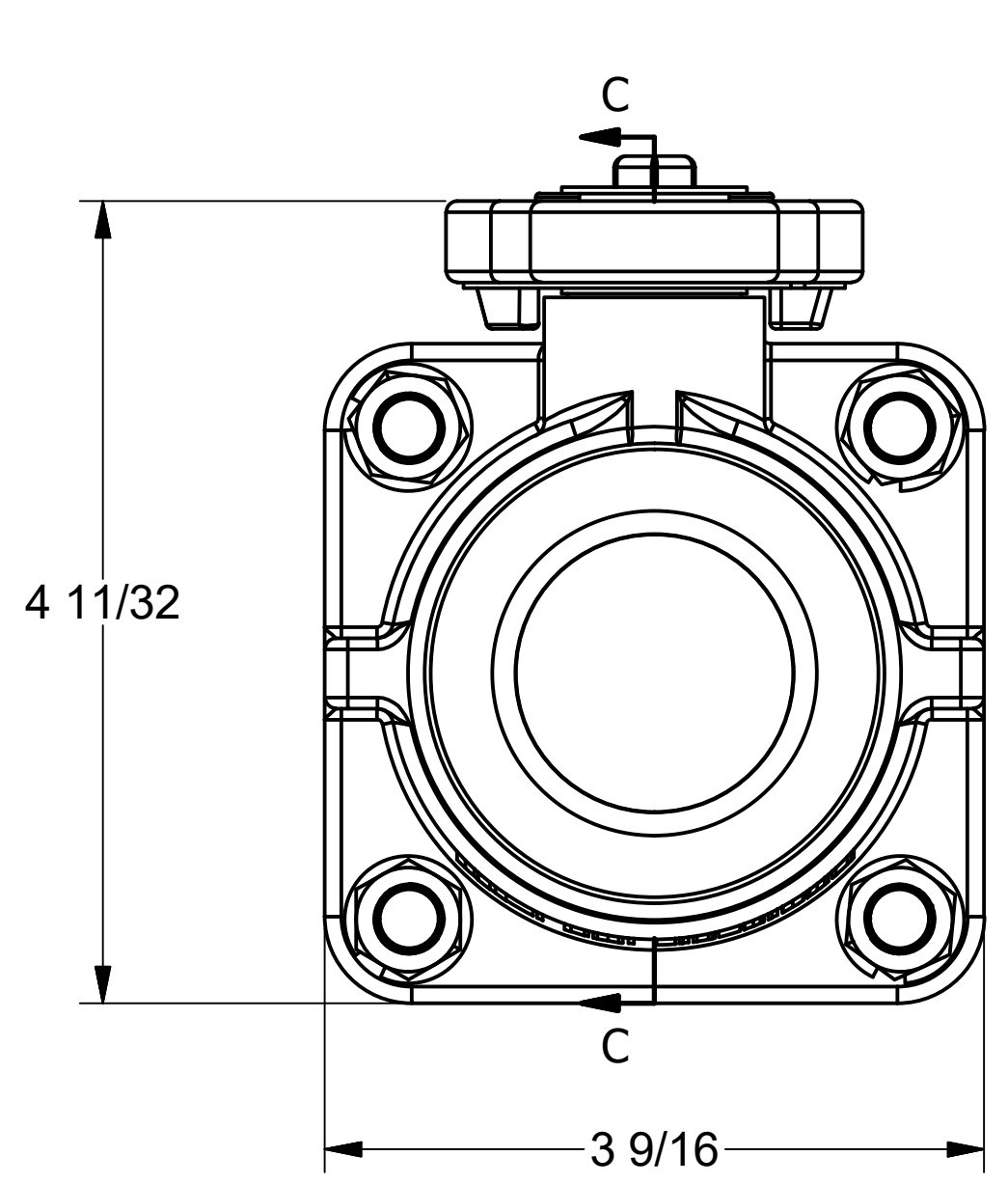


Parts List			
ITEM	QTY	PART NUMBER	DESCRIPTION
1	1	VS20255	2" VALVE BALL
2	1	VS20152SH	2" STUBBY HANDLE
3	2	VS20258A	BALL SEAT
4	4	V20010SS	3/8-16 X 2" HHCS
5	4	V20018	3/8" LOCKWASHER
6	4	V20019	3/8" HEX NUT
7	1	V20060	VALVE STEM THRUST BEARING
8	1	V21204	TFE E/P BODY GASKET
9	1	VF20254	2" F STUBBY BODY, MACHINED
10	1	VSHB20256	2" HOSE BARB ENDPLATE
11	1	V20020	2" handle Bolt
12	1	V20021	Handle Washer
13	1	VS20151	VALVE STEM W/ BEARING



THIS DRAWING AND ALL INFORMATION CONTAINED THEREON ARE THE EXCLUSIVE PROPERTY OF BANJO CORPORATION.

UNLESS SPECIFICALLY NOTED, THIS DRAWING AND ITEMS SHOWN ON THIS DRAWING ARE SUBJECT TO CHANGE AT ANY TIME.



BANJO CORPORATION
 150 BANJO DRIVE, CRAWFORDSVILLE, IN 47933
 WEB SITE: WWW.BANJOCORP.COM
 E-MAIL: BANJOSALES@IDEXCORP.COM

DESCRIPTION
2" MALE ADAPTER X 2" HOSE BARB

PART NUMBER
VSFHB200