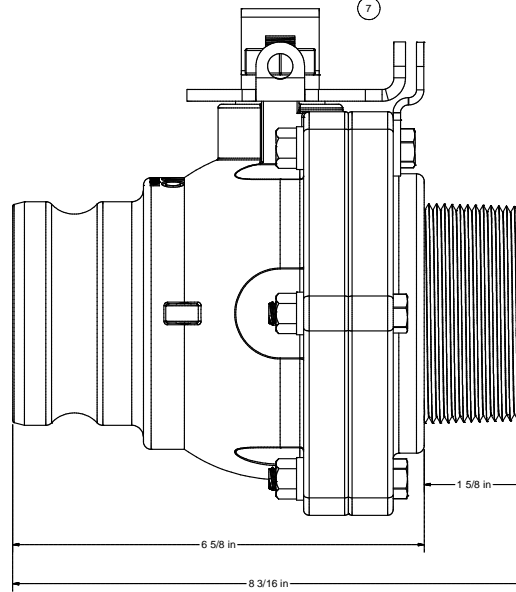
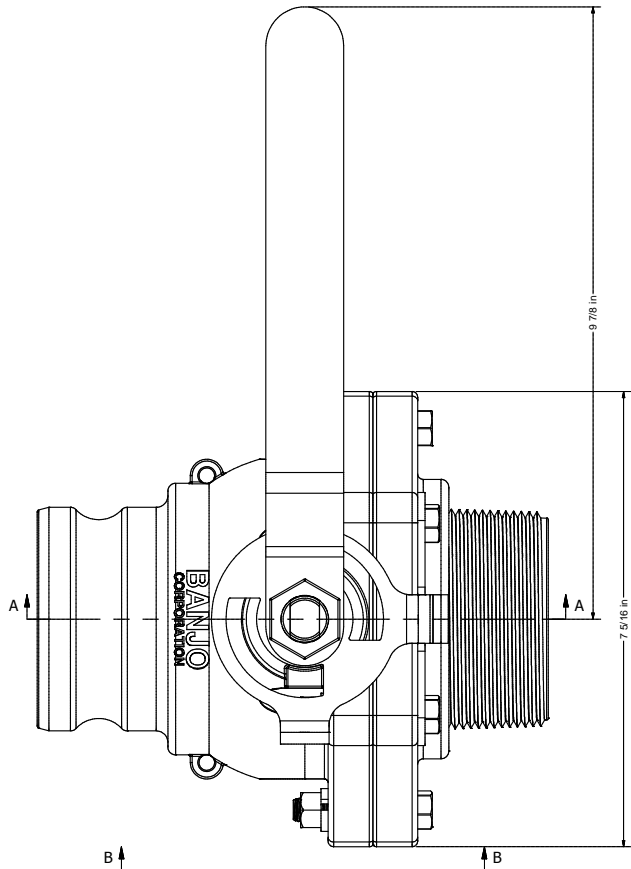
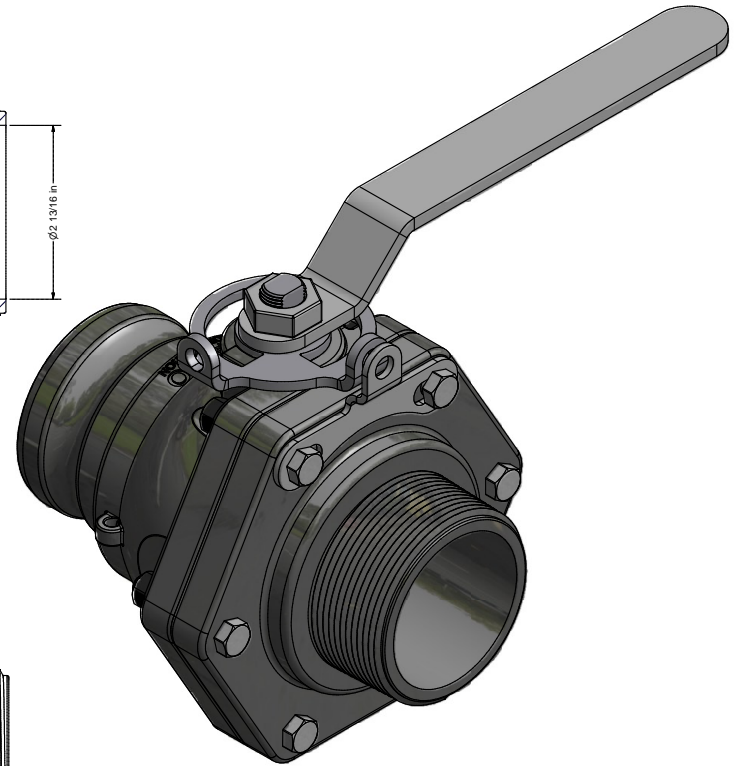
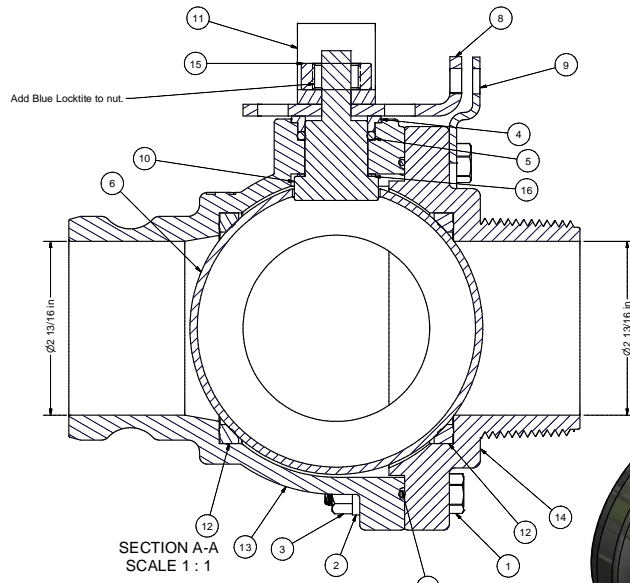


Parts List			
ITEM	QTY	PART NUMBER	DESCRIPTION
1	6	V20010SS	3/8-16 X 2" HHCS
2	6	V20018	3/8" LOCKWASHER
3	6	V20019	3/8" HEX NUT
4	1	V25160	Stem Bushing
5	1	V25163	#214 FKM O'RING
6	1	V35255ASS	3" FP SS Hollow Ball
7	1	V35265	3" FP body O-ring FKM
8	1	VS30101SS	Handle Stop Plate
9	1	VS30102SS	3" Std Port Stubby Valve handle Lock
10	1	VS30151SS	3" SS Stubby Valve Stem
11	1	VS30153SS	3" Valve handle, SS
12	2	VS35258	3" FP Stubby Valve Seat
13	1	VSF26254	3" FP Stubby F Body
14	1	VSMT35256	3" FP Stubby NPT Male Thd Endplate
15	1	VSS30020	3/4"-16 SS Jam Nut
16	1	V25060	VALVE STEM THRUST BEARING

REVISION HISTORY				
ZONE	REV	DESCRIPTION	DATE	APPROVED
	A	Added V25060 and blue locktite	06/08/11	ALR



THIS DRAWING AND ALL INFORMATION CONTAINED THEREON ARE THE EXCLUSIVE PROPERTY OF BANJO CORPORATION.

UNLESS SPECIFICALLY NOTED, THIS DRAWING AND ITEMS SHOWN ON THIS DRAWING ARE SUBJECT TO CHANGE AT ANY TIME.



**BANJO CORPORATION**  
150 BANJO DRIVE, CRAWFORDSVILLE, IN 47933  
WEB SITE: WWW.BANJOCORP.COM  
E-MAIL: SALES1@BANJOCORP.COM

DESCRIPTION  
**3" Male Adapter x 3" Male NPT Thds Stubby Valve SS Ball, Stem, Handle**  
PART NUMBER  
**VSMF300HSFP**