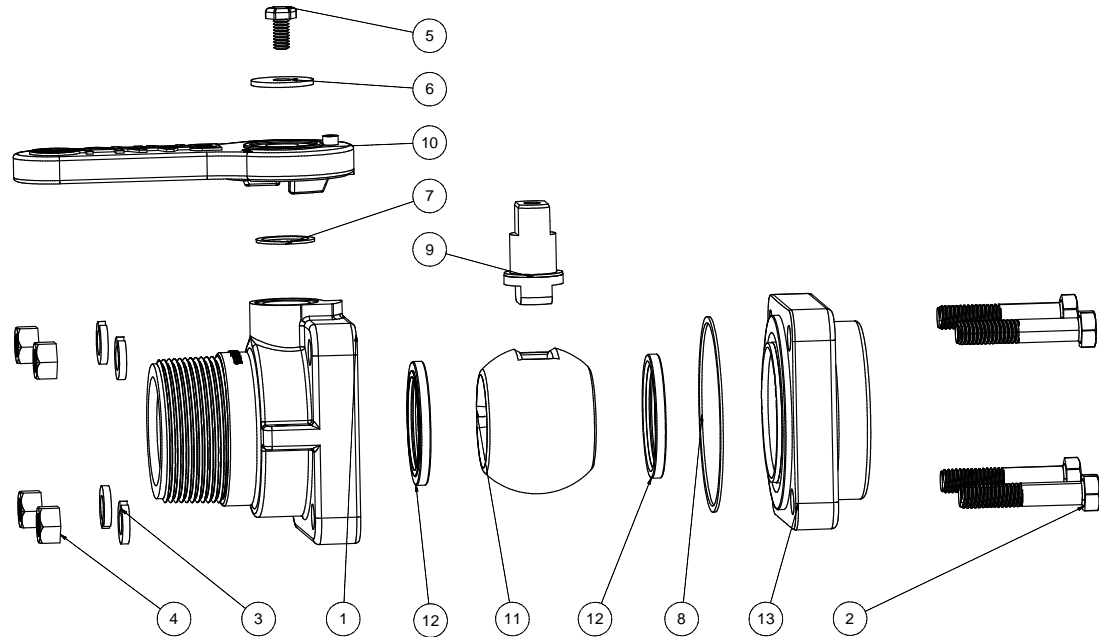


Parts List			
ITEM	QTY	PART NUMBER	DESCRIPTION
1	1	VMT20254	2" NPT STUBBY BODY
2	4	V20010SS	3/8-16 X 2" HHCS
3	4	V20018	3/8" LOCKWASHER
4	4	V20019	3/8" HEX NUT
5	1	V20020	2" handle Bolt
6	1	V20021	Handle Washer
7	1	V20060	VALVE STEM THRUST BEARING
8	1	V21204	TFE E/P BODY GASKET
9	1	VS20151	VALVE STEM W/ BEARING
10	1	VS20152SH	2" STUBBY HANDLE
11	1	VS20255	2" VALVE BALL
12	2	VS20258A	BALL SEAT
13	1	VS20256	2" FNPT STUBBY END PLATE



THIS DRAWING AND ALL INFORMATION CONTAINED THEREON ARE THE EXCLUSIVE PROPERTY OF BANJO CORPORATION.  
 UNLESS SPECIFICALLY NOTED, THIS DRAWING AND ITEMS SHOWN ON THIS DRAWING ARE SUBJECT TO CHANGE AT ANY TIME.

DESCRIPTION	2" NPT STUBBY VALVE
PART NUMBER	VSMT200